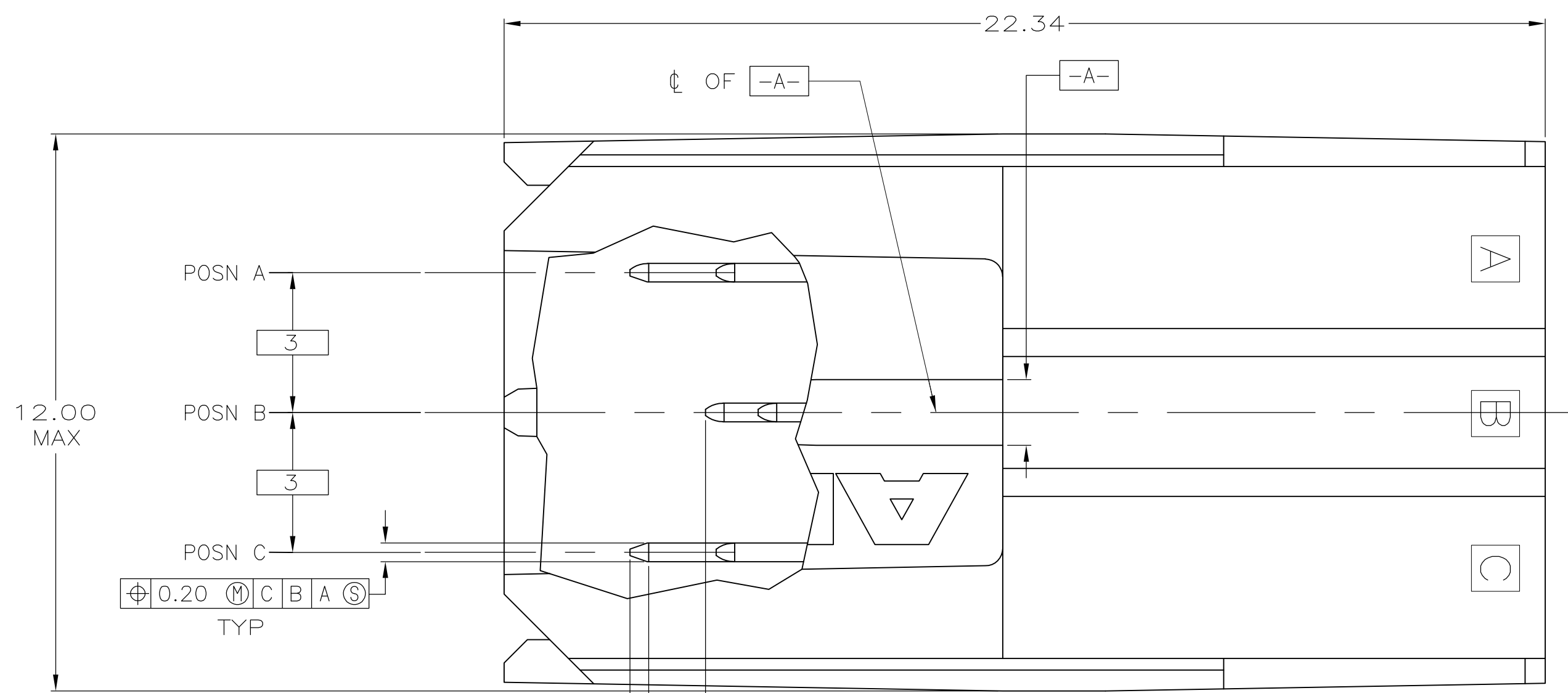
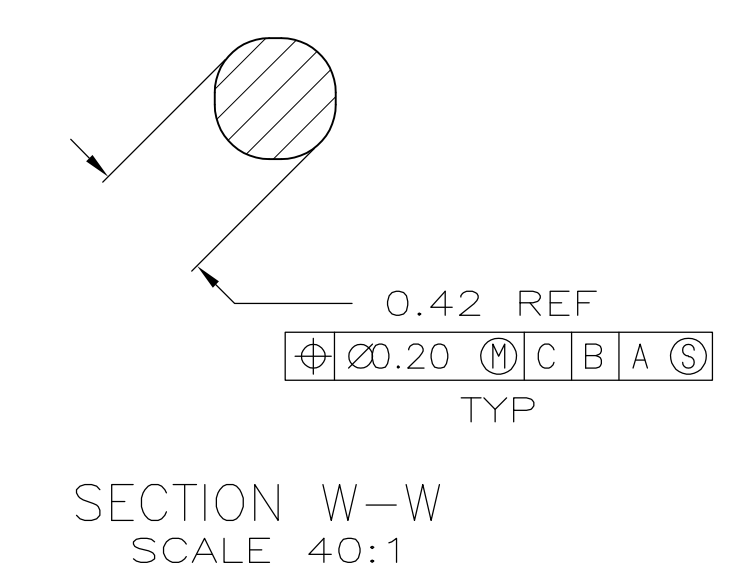
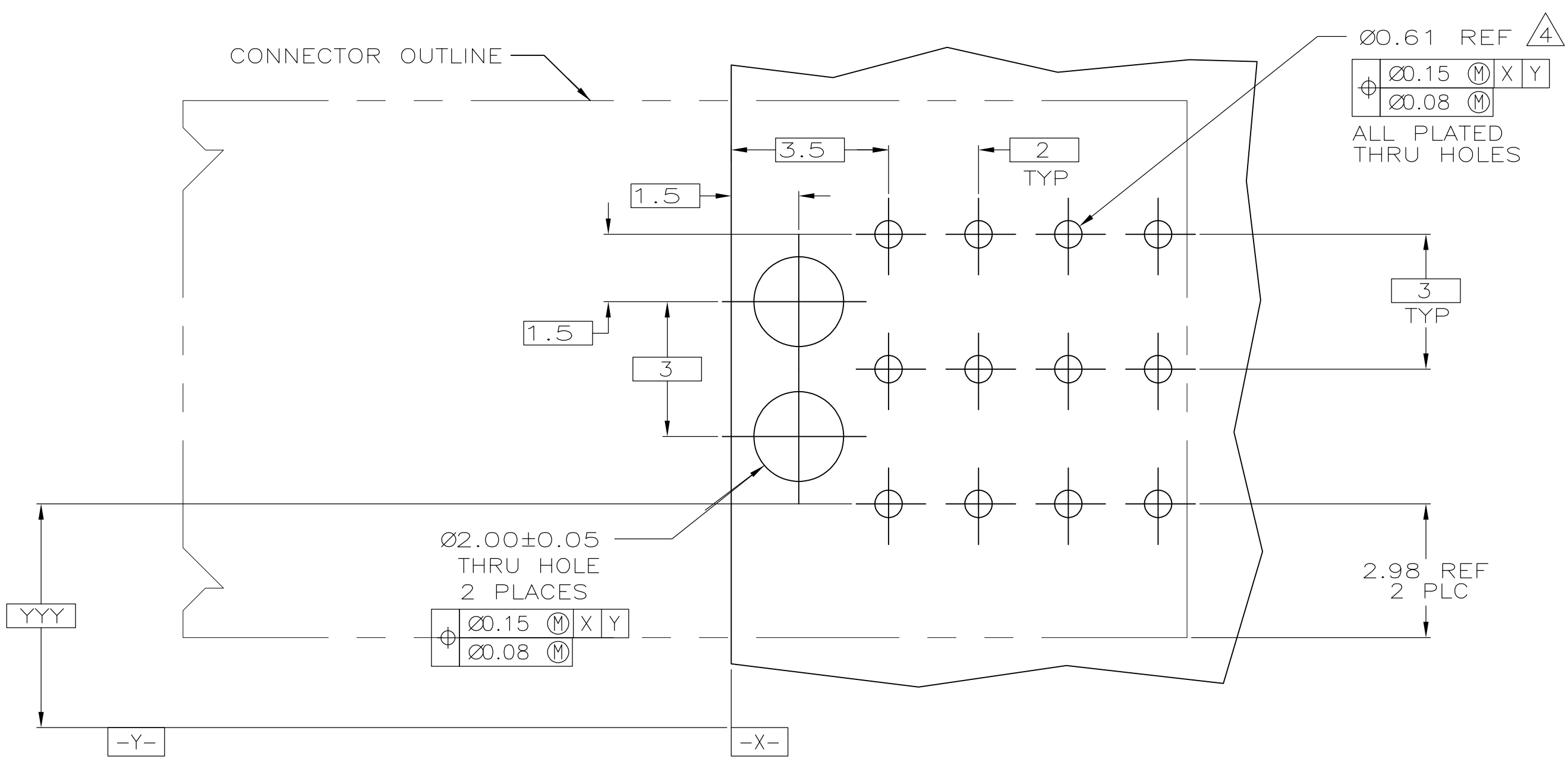
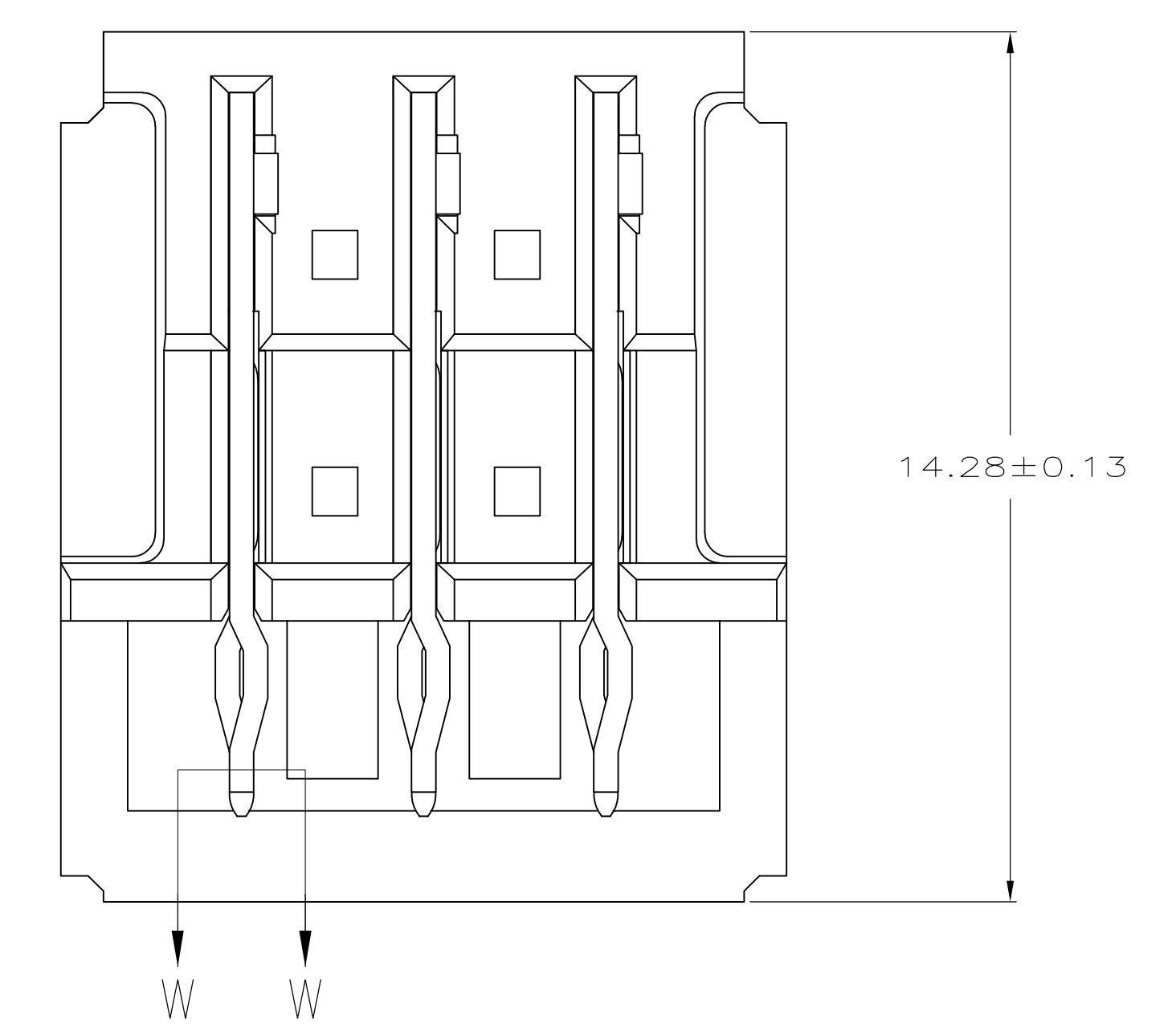
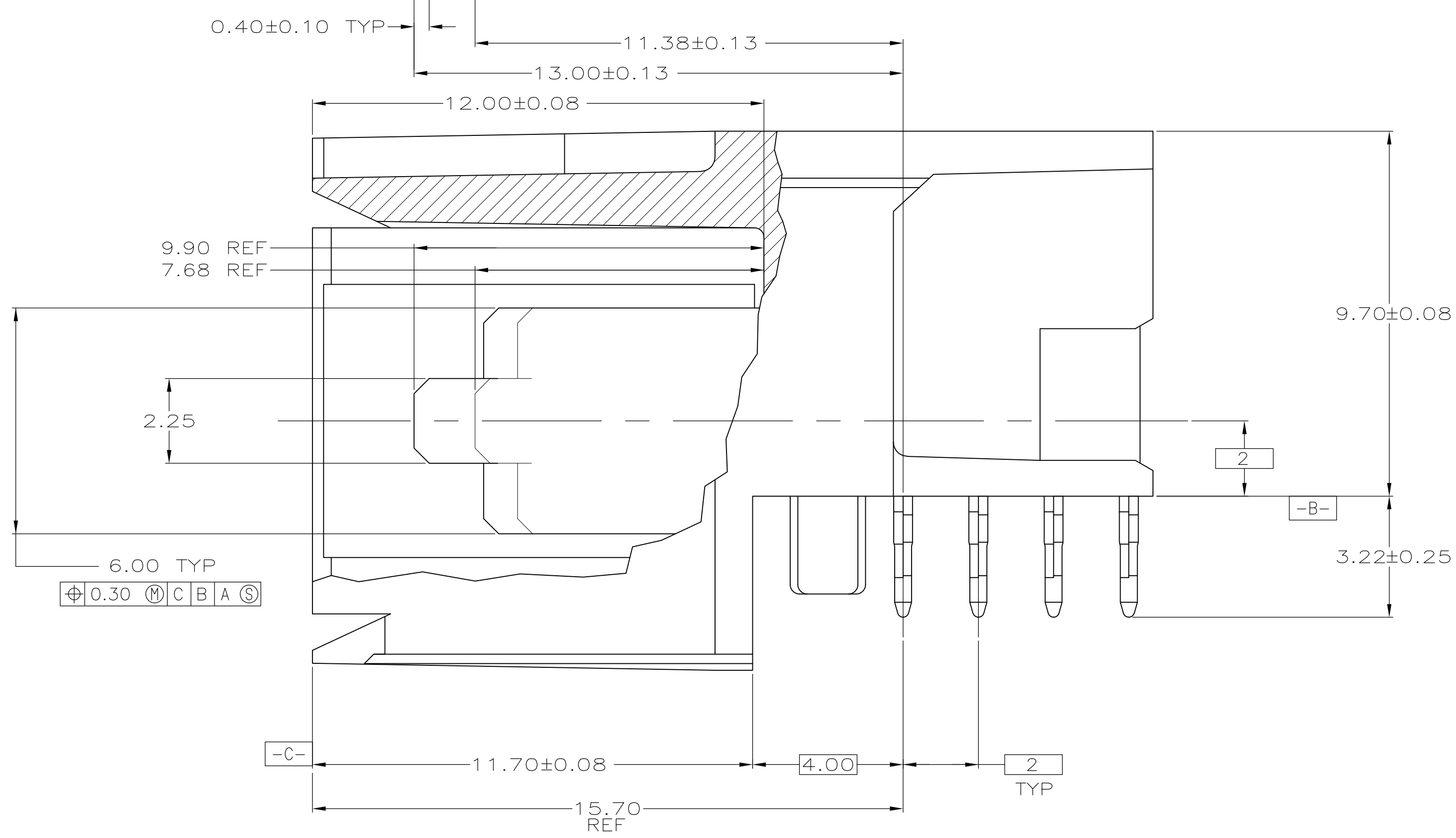
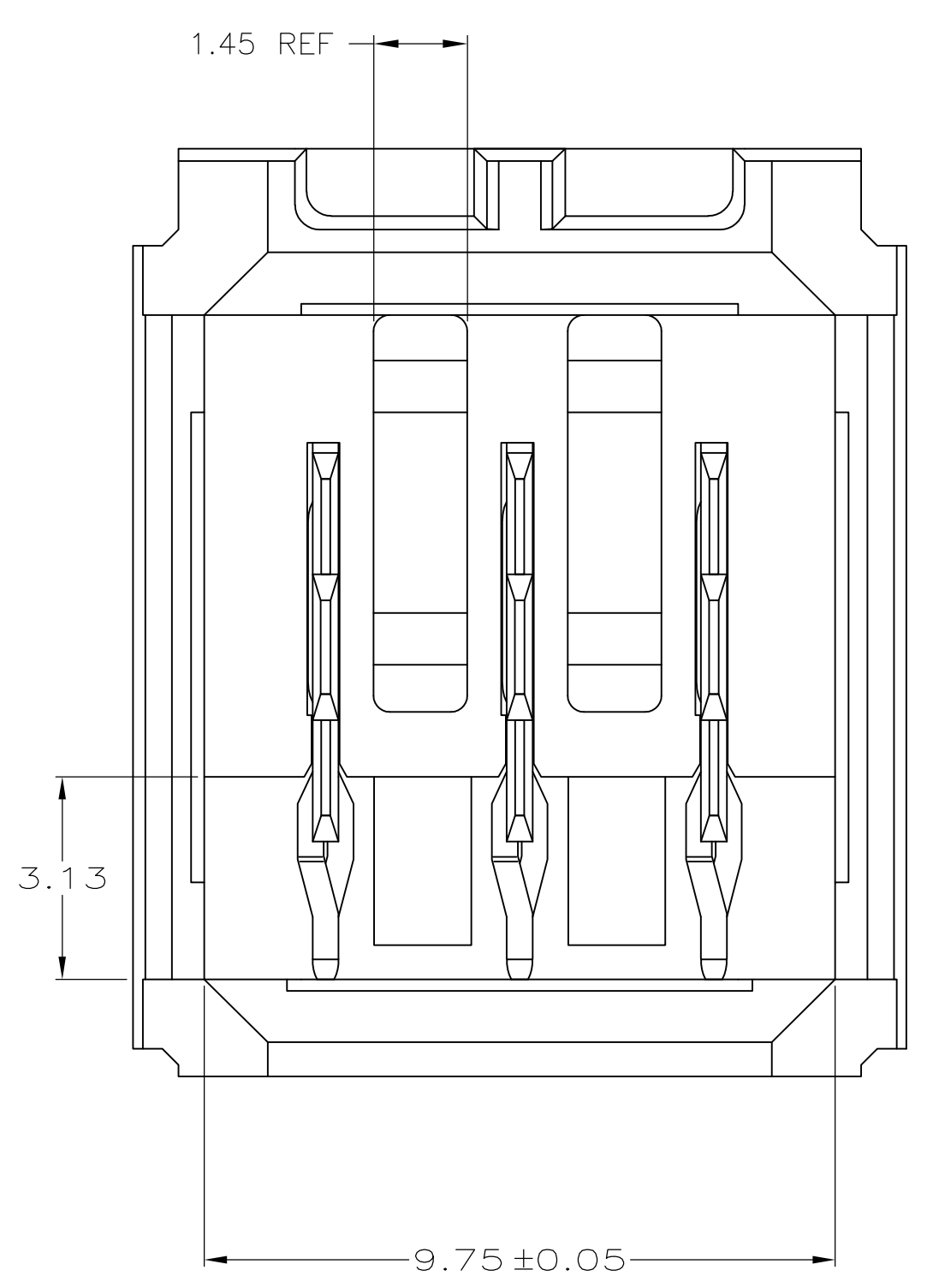


LOC		DIST		REVISIONS			
F	LTR	DESCRIPTION	DATE	DN	APVD		
F		REVISED PER ECO-11-000045	04JAN11	DH	DY		



- 1 MATERIAL: HOUSING: POLYESTER. COLOR: GRAY. UL 94V-0. CONTACT: PHOSPHOR BRONZE.
- 2 FINISH: CONTACT MATING AREA: $1.27\mu\text{m}$ MIN GOLD OR $0.08\mu\text{m}$ MIN GOLD OVER $0.76\mu\text{m}$ MIN PALLADIUM-NICKEL. ACTION PIN AREA: $0.5\mu\text{m}$ MIN TIN LEAD PLATE, ALL OVER $1.27\mu\text{m}$ MIN NICKEL UNDERPLATE.
- 3 FINISH: CONTACT LUBRICATION WITH BELLCORE APPROVED LUBRICANT. TECHNICAL REFERENCE: TR-NWT-001217 ISSUE 1, SEPT 1992.
- 4 REFERENCE APPLICATION SPEC 114-1103 FOR RECOMMENDED PLATED THRU HOLE DIAMETER AND PLATING THICKNESSES.
- 5. CURRENT RATING 10A/CONTACT PER PRODUCT SPEC 108-1651.



223965-1
PART NUMBER

THIS DRAWING IS A CONTROLLED DOCUMENT.		DIN R. BUCHHEISTER 08/AUG/96	Tyco Electronics Corporation Harrisburg, PA 17105-3608
DIMENSIONS: mm		CHK R. RELICKER 08/AUG/96	
TOLERANCES UNLESS OTHERWISE SPECIFIED:		NAME R. RELICKER 08/AUG/96	SIZE A1
0 PLC	±	PRODUCT SPEC	DRAWING NO. 223965
1 PLC	±	APPLICATION SPEC	RESTRICTED TO
2 PLC	± 0.13	WEIGHT	SCALE 10:1
3 PLC	±	CUSTOMER DRAWING	SHEET 1 OF 1
4 PLC	±		REV F
ANGLES	±		