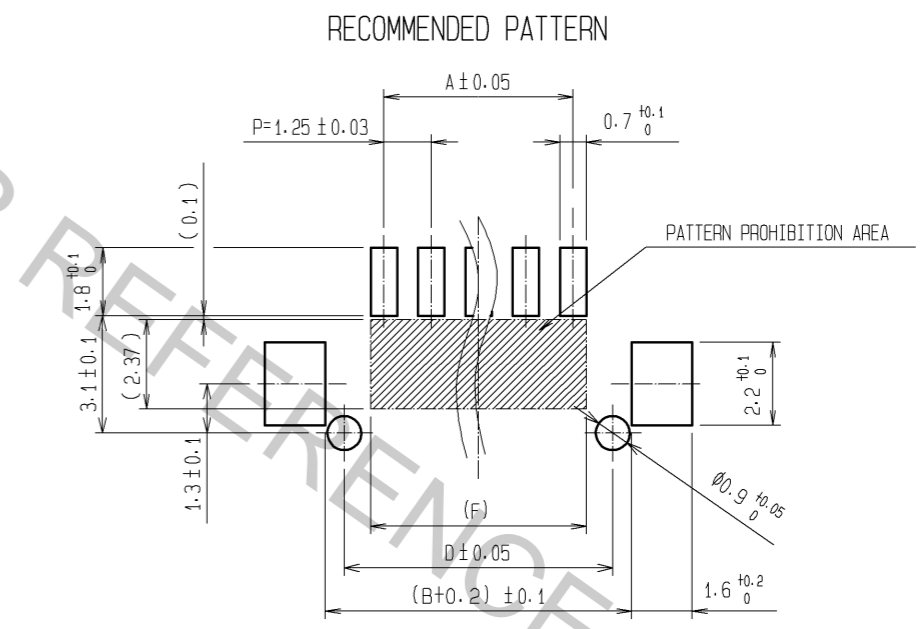


CODE No.	CONTACT	A	B	C	D	E	F	G
—	2	1.25	4.15	7.15	3.35	5.65	1.95	2.2
CL536-0052-5-77	3	2.5	5.4	8.4	4.6	6.9	3.2	3.45
—	4	3.75	6.65	9.65	5.85	8.15	4.45	3.1
CL536-0054-0-77	5	5.0	7.9	10.9	7.1	9.4	5.7	4.35
△ CL536-0055-3-77	6	6.25	9.15	12.15	8.35	10.65	6.95	5.6
—	7	7.5	10.4	13.4	9.6	11.9	8.2	6.85
CL536-0057-9-77	8	8.75	11.65	14.65	10.85	13.15	9.45	8.1
—	9	10.0	12.9	15.9	12.1	14.4	10.7	9.35
CL536-0059-4-77	10	11.25	14.15	17.15	13.35	15.65	11.95	10.6
—	11	12.5	15.4	18.4	14.6	16.9	13.2	11.85
—	12	13.75	16.65	19.65	15.85	18.15	14.45	13.1
—	14	16.25	19.15	22.15	18.35	20.65	16.95	15.6
—	15	17.5	20.4	23.4	19.6	21.9	18.2	16.85



- NOTES
- 1 WHEN THIS CONNECTOR MATES WITH DF13-\*S-1.25C, THE MATING LENGTH IS 5.8mm.
  - 2 WHEN THIS CONNECTOR HAS TWO OR THREE CONTACTS, THE LOCK SHALL BE SET AT THE CENTER OF HOUSING. IF MORE THAN FOUR, THE TWO LOCKS SHALL BE SET AS SHOWN ON THIS DRAWING.
  - 3 LEAD CO-PLANARITY INCLUDING REINFORCED METAL FITTINGS SHALL BE WITHIN 0.1mm.
  - 4 AREA TO PICK AND PLACE.

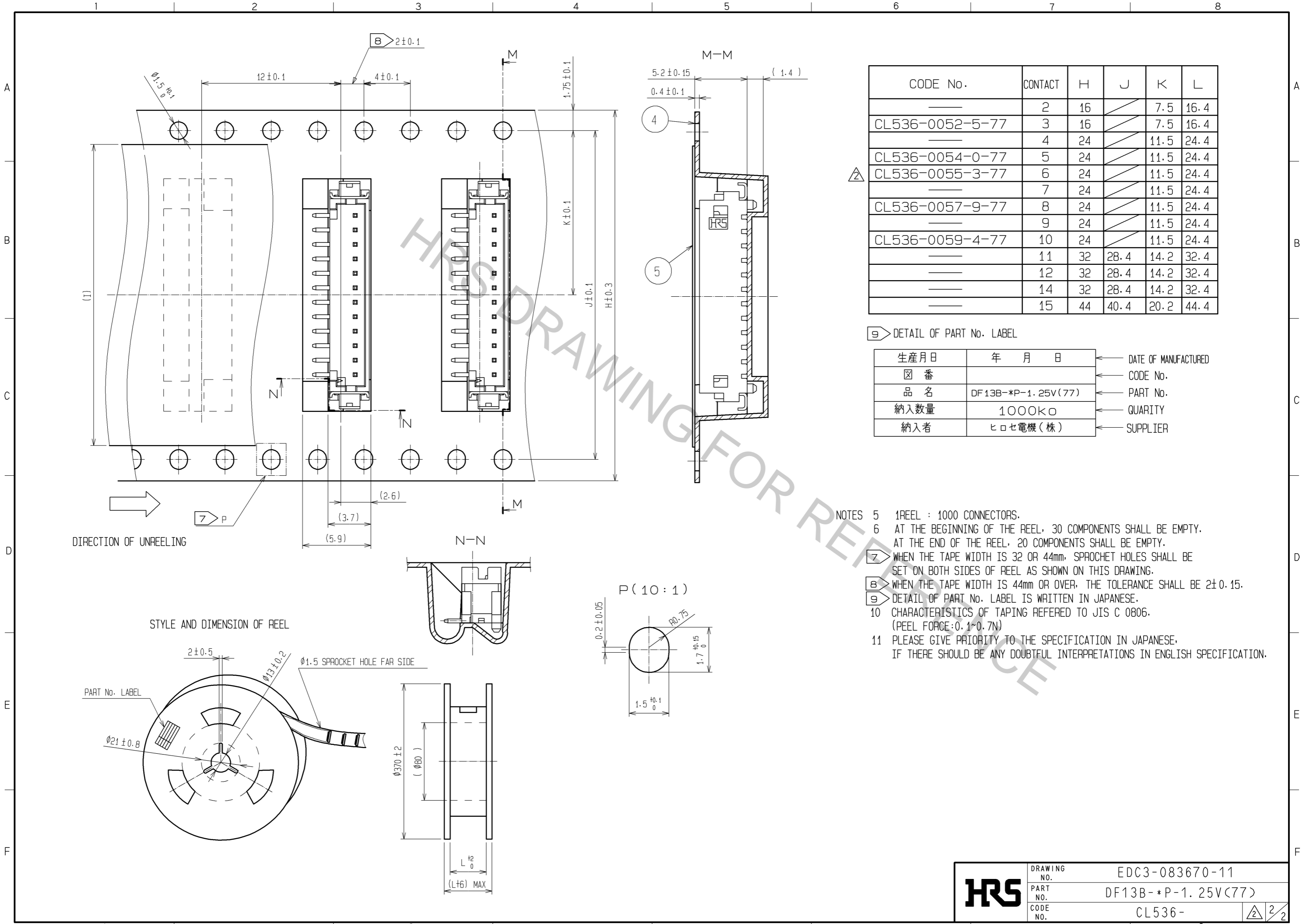
NO.	MATERIAL	FINISH	REMARKS	NO.	MATERIAL	FINISH	REMARKS
2	BRASS	SURFACE PLATING : GOLD PLATED 0.76µm min. UNDER PLATING : NICKEL PLATING 0.5µm min.		5	POLYESTER		COVER TAPE . CLEAR
				4	PS		EMBOSSD CARRIER TAPE . CLEAR
1	POLYAMIDE	UL94V-0 . BEIGE		3	PHOSPHOR BRONZE		SURFACE PLATING : TIN PLATED 1µm min.

UNITS	SCALE	COUNT	DESCRIPTION OF REVISIONS	DESIGNED	CHECKED	DATE
mm	5 : 1	2	DIS-H-005464	TS. KUMAZAWA	HK. UMEHARA	11. 01. 17

APPROVED	CHECKED	DESIGNED	DRAWN	DRAWING NO.	PART NO.	CODE NO.
: KJ. KATAYOSE	: TY. OMA	: TS. KUMAZAWA	: TS. KUMAZAWA	EDC3-083670-11	DF13B-*P-1.25V(77)	CL536-



CODE No.	CONTACT	H	J	K	L
—	2	16	/	7.5	16.4
CL536-0052-5-77	3	16	/	7.5	16.4
—	4	24	/	11.5	24.4
CL536-0054-0-77	5	24	/	11.5	24.4
△ CL536-0055-3-77	6	24	/	11.5	24.4
—	7	24	/	11.5	24.4
CL536-0057-9-77	8	24	/	11.5	24.4
—	9	24	/	11.5	24.4
CL536-0059-4-77	10	24	/	11.5	24.4
—	11	32	28.4	14.2	32.4
—	12	32	28.4	14.2	32.4
—	14	32	28.4	14.2	32.4
—	15	44	40.4	20.2	44.4

DETAIL OF PART No. LABEL

生産月日	年 月 日	← DATE OF MANUFACTURED
箱 番		← CODE No.
品 名	DF13B-*P-1.25V(77)	← PART No.
納入数量	1000k0	← QUANTITY
納入者	ヒロセ電機(株)	← SUPPLIER

- NOTES
- 1 REEL : 1000 CONNECTORS.
  - 2 AT THE BEGINNING OF THE REEL, 30 COMPONENTS SHALL BE EMPTY. AT THE END OF THE REEL, 20 COMPONENTS SHALL BE EMPTY.
  - 3 WHEN THE TAPE WIDTH IS 32 OR 44mm, SPROCKET HOLES SHALL BE SET ON BOTH SIDES OF REEL AS SHOWN ON THIS DRAWING.
  - 4 WHEN THE TAPE WIDTH IS 44mm OR OVER, THE TOLERANCE SHALL BE 2±0.15.
  - 5 DETAIL OF PART No. LABEL IS WRITTEN IN JAPANESE.
  - 6 CHARACTERISTICS OF TAPING REFERRED TO JIS C 0806. (PEEL FORCE:0.1~0.7N)
  - 7 PLEASE GIVE PRIORITY TO THE SPECIFICATION IN JAPANESE. IF THERE SHOULD BE ANY DOUBTFUL INTERPRETATIONS IN ENGLISH SPECIFICATION.

<b>HRS</b>	DRAWING NO.	EDC3-083670-11
	PART NO.	DF13B-*P-1.25V(77)
	CODE NO.	CL536-