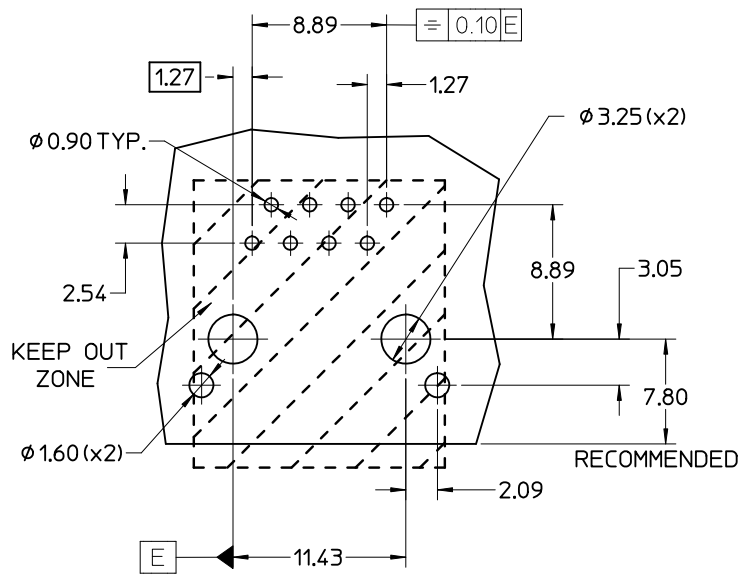


PART No.	PACKAGING SPEC.
95622-3981	PK-95122-006



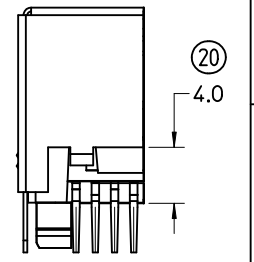
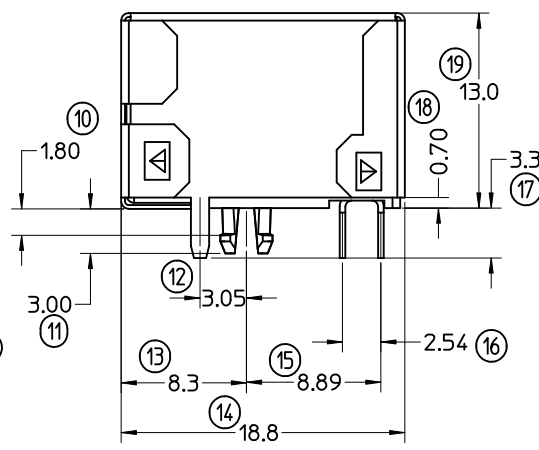
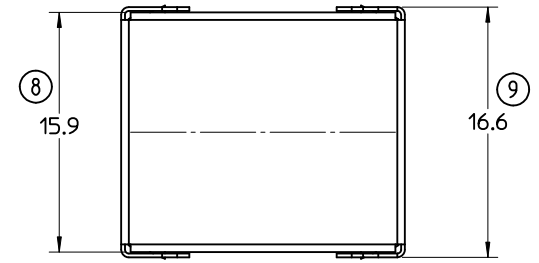
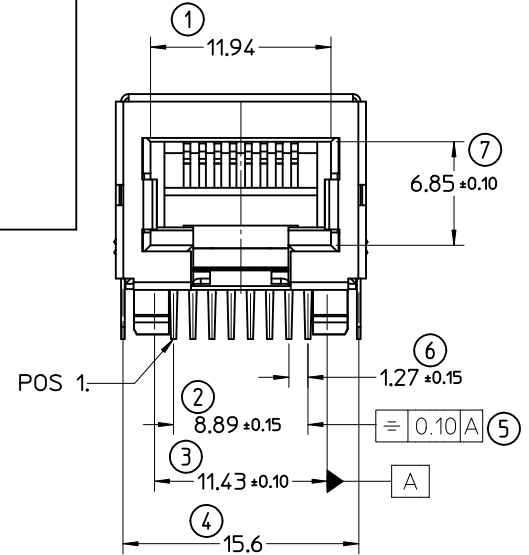
RECOMMENDED P.C.B LAYOUT
VIEW FROM COMPONENT SIDE
ALL DIMENSIONS REF DIMENSIONS

TECHNICAL SPECIFICATIONS:

MATERIAL:
HOUSING: LCP GLASS FILLED UL 94V-0, COLOUR BLACK.
TERMINAL: COPPER ALLOY PLATED WITH:
BASE FINISH: NICKEL
CONTACT SURFACE FINISH:
GOLD
OR
GOLD FLASH OVER PALLADIUM NICKEL.
EXCEEDS PRODUCT REQUIREMENTS BASED ON PS-95622-001
SHIELD: COPPER ALLOY PLATED WITH TIN

- NOTES:**
- JACK FOR MATING WITH SHIELDED PLUG MOLEX 95043 AND 85568 SERIES.
 - PRODUCT SPECIFICATION: MOLEX PS-95622-001.
 - P.C.B. THICKNESS: 1.57
 - PACKAGING SPECIFICATION: SEE CHART. TUBE PACKAGING.
 - APPLICATION SPECIFICATION: AS-85513-001
 - RECOMMENDED PCB THICKNESS 1.57

LAST INSPECTION No: 20



PARTIAL 1
Scale 3:1

REMOVE OPTION EC NO: IPG2012-0746 DRW: DBYRNES 2012/04/17 CHKD: APPR: EFOLAN 2012/06/26 REV	QUALITY SYMBOLS	GENERAL TOLERANCES (UNLESS SPECIFIED)	DIMENSION STYLE	SCALE	DESIGN UNITS	THIRD ANGLE PROJECTION	
	▽=0 ∇=0	mm INCH	MM ONLY	3:1	METRIC		
		4 PLACES ± --- ± --- 3 PLACES ± --- ± --- 2 PLACES ± 0.25 ± --- 1 PLACE ± 0.35 ± ---	DRAWN BY DATE D. BYRNES 2006/07/27	TITLE FULLY SHIELDED R/A MODULAR JACK 8 CKTS THROUGH HOLE-VERSION LCP			
		ANGULAR ± 2 °	CHECKED BY DATE EOMAHONY 2006/07/28	MOLEX INCORPORATED			
		DRAFT WHERE APPLICABLE MUST REMAIN WITHIN DIMENSIONS	APPROVED BY DATE EOMAHONY 2006/07/28	MATERIAL NO.	DOCUMENT NO.	SHEET NO.	
			SEE CHART		SD-95622-003	1 OF 1	
			SIZE A3	THIS DRAWING CONTAINS INFORMATION THAT IS PROPRIETARY TO MOLEX INCORPORATED AND SHOULD NOT BE USED WITHOUT WRITTEN PERMISSION			