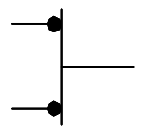


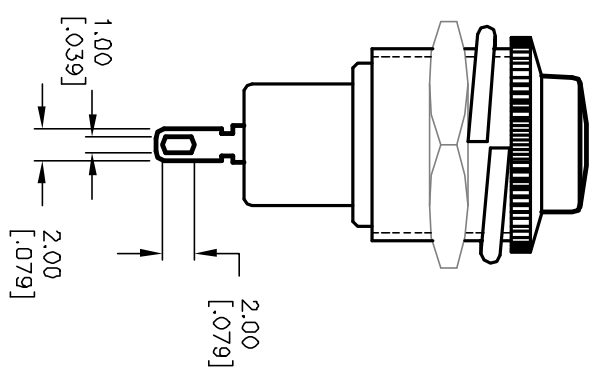
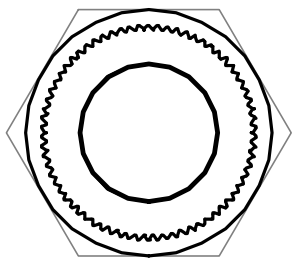
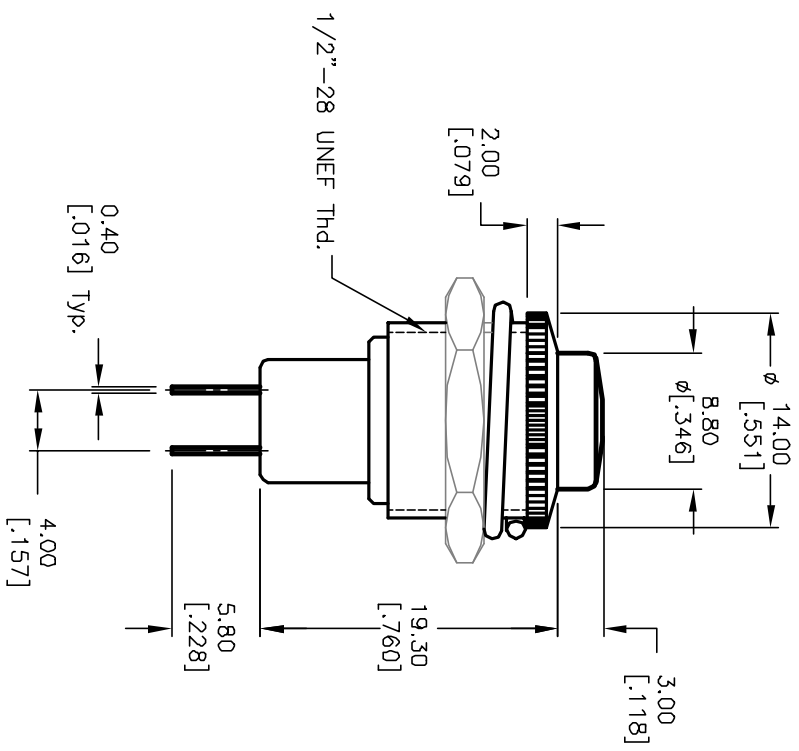
RECOMMENDED PANEL MOUNTING



CIRCUIT: 2P, SPST
CONTACT CONFIGURATION
ON (OFF)

NOTES:

1. ALL DIMENSIONS IN MM [INCH]
2. GENERAL TOLERANCE: X.X=±0.4
X.XX=±0.25
3. TERM. NOS. FOR REF. ONLY
4. RATING: 3A 125V, 1.5A 250V AC
5. CONTACT RESISTANCE: 50m ohm max.
6. INSULATION RESISTANCE: DC 500V 100M ohm min.
7. DIELECTRIC STRENGTHS: AC 1000V 1 minute
8. ACTUATOR COLOR: YELLOW



E-SWITCH®

RP3502MB-YEL

| | | | | |
|--|---------|----------------------------|---------|------|
| REV. | ECN No. | DESCRIPTION | DATE | CHKD |
| A | 12156 | REFER TO OLD TAB#F030019_A | 5/21/02 | CB |
| THE INFORMATION CONTAINED IN THIS DOCUMENT IS PROPRIETARY TO E-SWITCH AND IS NOT TO BE COPIED OR TRANSFERRED | | | | |

| | | | | | |
|--------------|-------|---------|----|---------|-----|
| TITLE | SCALE | DATE | DR | DWG | REV |
| RP3502MB-YEL | 2:1 | 2/15/00 | MM | F030021 | A |