

SUMMARY

Wires

Low	0
High	0
Coax	1
Triax	0
Quad	0
Fiber	0
Fluidic	0



Image is for illustrative purpose only

Download

[Request a quote](#)

[Catalog](#)

Series	03
Termination type	Female solder
IP rating	68
Cable Ø	0.00 - 0.00 mm
Matching parts	
Status	
Alternative part	

TECHNICAL DETAILS

Mechanics

Shell Style/Model	HVR.03*: Fixed receptacle, hexagonal flange,
Keying	
Housing Material	Brass (chrome plated) shell and collet nut, nickel plated brass latch sleeve and mid pieces
Cable Fixing	∅ 0 - 0 mm
Variant	PV : Watertight / Vacuum-tested

Performance

Configuration	03.250 : 1 Coax (50 Ohm)
Insulator	
Rated Current	

Specifications

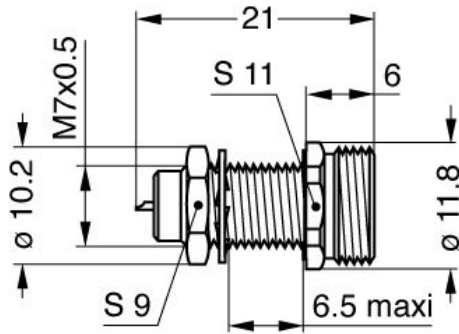
Contact Type: Solder

Others

R leak (He) (max): 0.0000001 mbar*l/s (if vacuum-tested)
Pressure: 60 bars (120 bars with LEMO cable assembly)

DRAWINGS

Draws



Dimensions

	A	B	E	L	M	S1	S2	e
mm.	11.8	10.2	6.5	21	6	11	9	M7x0.5
in.	0,46	0,40	0,26	0,83	0,24	0,43	0,35	

RECOMMENDED BY LEMO

Tools

None

Cables