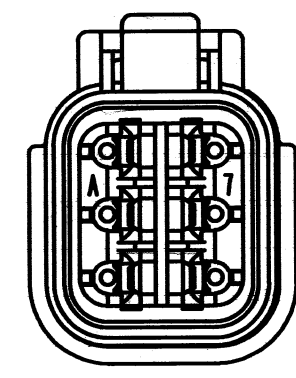
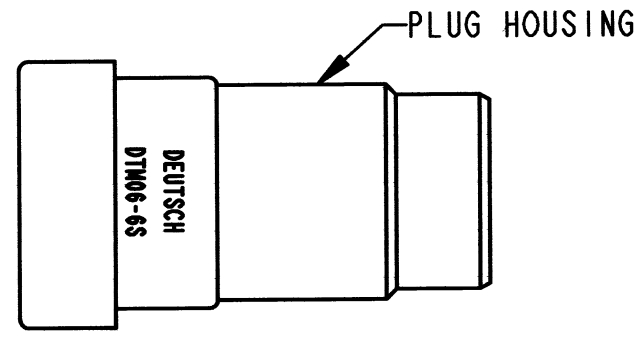
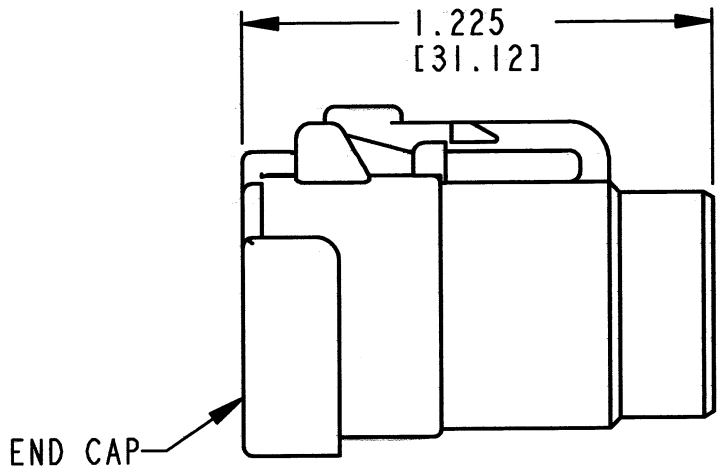
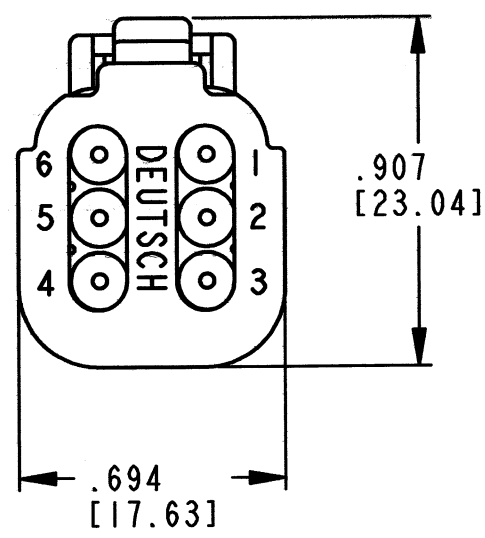
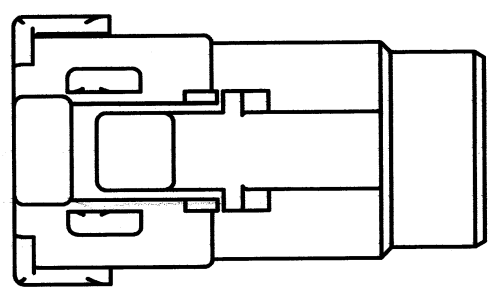
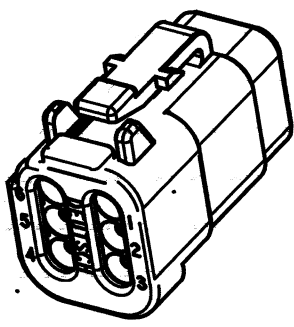


REV
NC
DTM06-6S-E005

REVISIONS			
SYM	DESCRIPTION	DATE	APPROVED
NC	NEW RELEASE PER E.O. P20201	3-25-11	RDR



- NOTES:
- DIMENSIONS ARE IN INCHES [mm] UNLESS OTHERWISE SPECIFIED.
 - DIMENSION TOLERANCE: ±.025 [.64]
 - SECONDARY WEDGE LOCK SOLD SEPARATELY: WM-6S.
 - FOR CONTACT AND WIRE PERFORMANCE AND APPLICATION CHARACTERISTICS SEE ENVELOPE DRAWING 0425-015-0000.
 - THIS PLUG MATES WITH DTM04-6P-**** RECEPTACLE. (**** = ALL MODIFICATIONS).
 - MATERIAL - HOUSING/END CAP: PLASTIC; GROMMET; RUBBER.

CONTACT SIZE	MIN. INSUL. O.D.	MAX. INSUL. O.D.	WIRE RANGE [MM ²] REF. ONLY
20	.053 [1.35]	.120 [3.05]	16-20 AWG [1.0-0.5]

SIGNATURE & DATE	
DR	R. MCCORD 4/14/09
CHK	B. Boyd 3/23/2011
PE	R. Milligan 3/16/11
APPD	S. Beard 3/18/11
SCALE	NONE
WT	

6 WAY PLUG
-E005 MOD
COLOR: BLACK
DTM SERIES

ENVELOPE

EP	MATL. CODE
3850 INDUSTRIAL AVE. HEMET, CA 92545	
B	DTM06-6S-E005
DWG SIZE	CODE 11139 SHEET OF