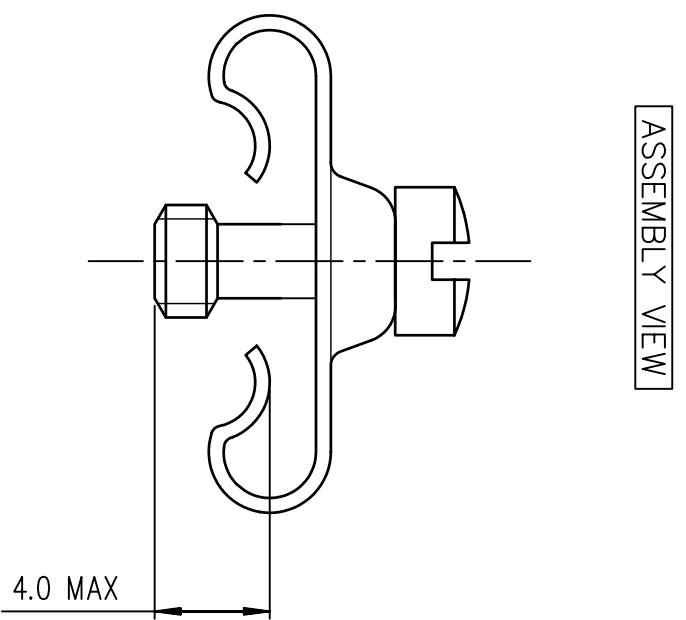
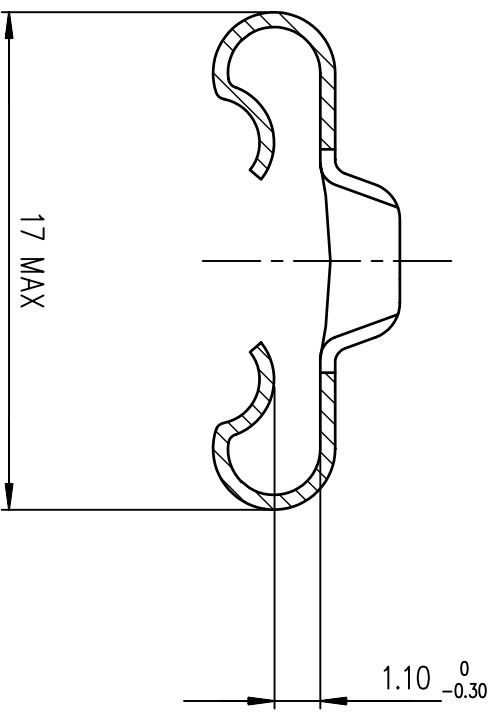
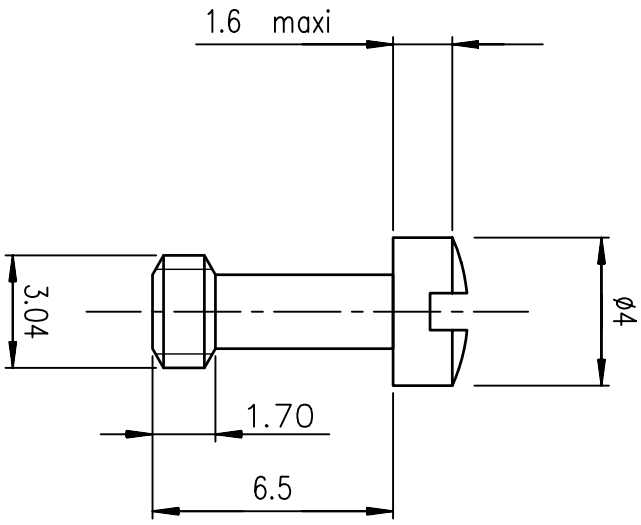


NOTES
 Pieces assembly
 Packaging : per 100 piece
 Material : steel
 Plating : yellow chromate cadmium
 Thread : UNC 4.40



Part Number
 863003A

rev	ecn no	dr	date
H	ELX-H-011686	PK	2012/05/21
B	LS06-0101	MPE	2006/06/27
C	LS07-0001	MPE	2007/01/02
D	LS09-0006	PCR	2009/01/08
E	I11-0022	AMR	2011/01/25
F	I11-0165	PK	2011/10/05
G	ELX-H-011683	PK	2012/05/09

www.fciconnect.com		surface	ISO 1302	tolerance std	ISO 406 ISO 1101	projection	mm
Dr JOUBERT		ANGULAR	✓	±0.1	±0.1	A3	Scale 5
Eng M.PESSON		LINEAR		0.X	0.XX		
Chr ABHILASH		0.XX ±2		0.XXX	0.XXX		
Appr SUDHIR		Product family		±0.1	±0.1	ECN	ELX-H-011686
FCI logo		MALE SCEW LOCKS		D-SUB	Spec ref -		
SHELL 50		D SUB ACCESSORIES					
catalog no							
C01-8655-0710							
CUSTOMER		sheet	1 of 1				

European Views