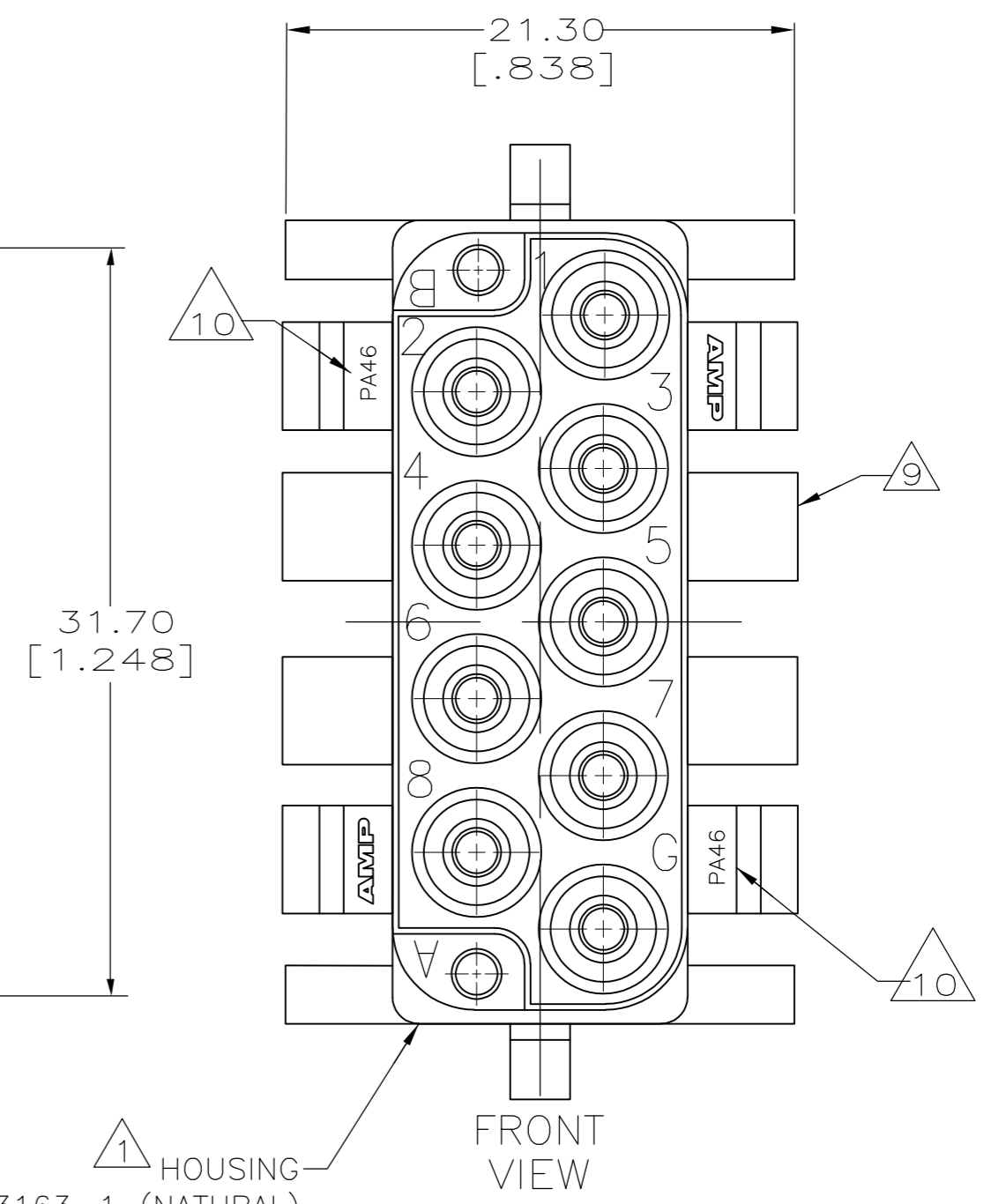
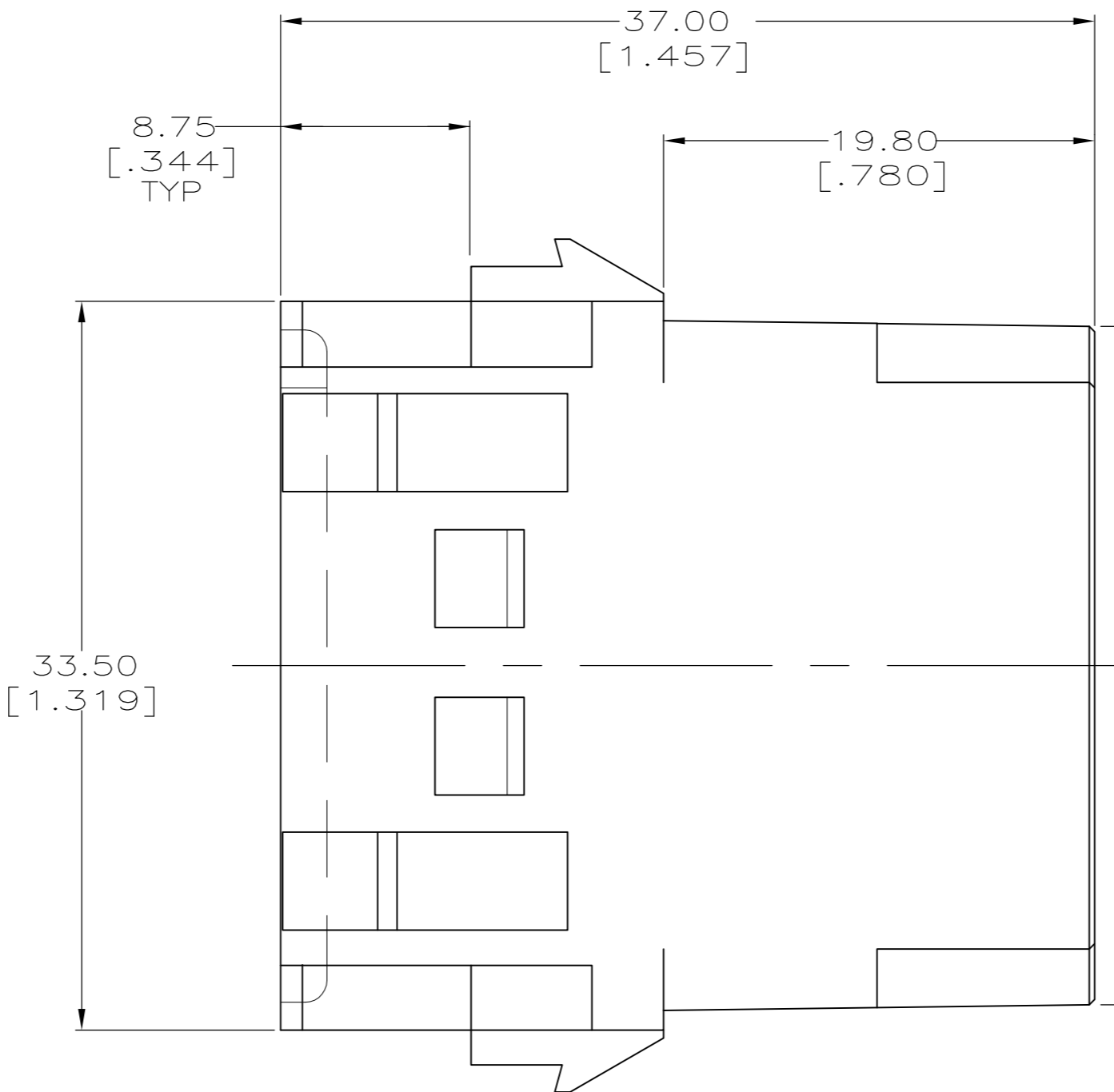
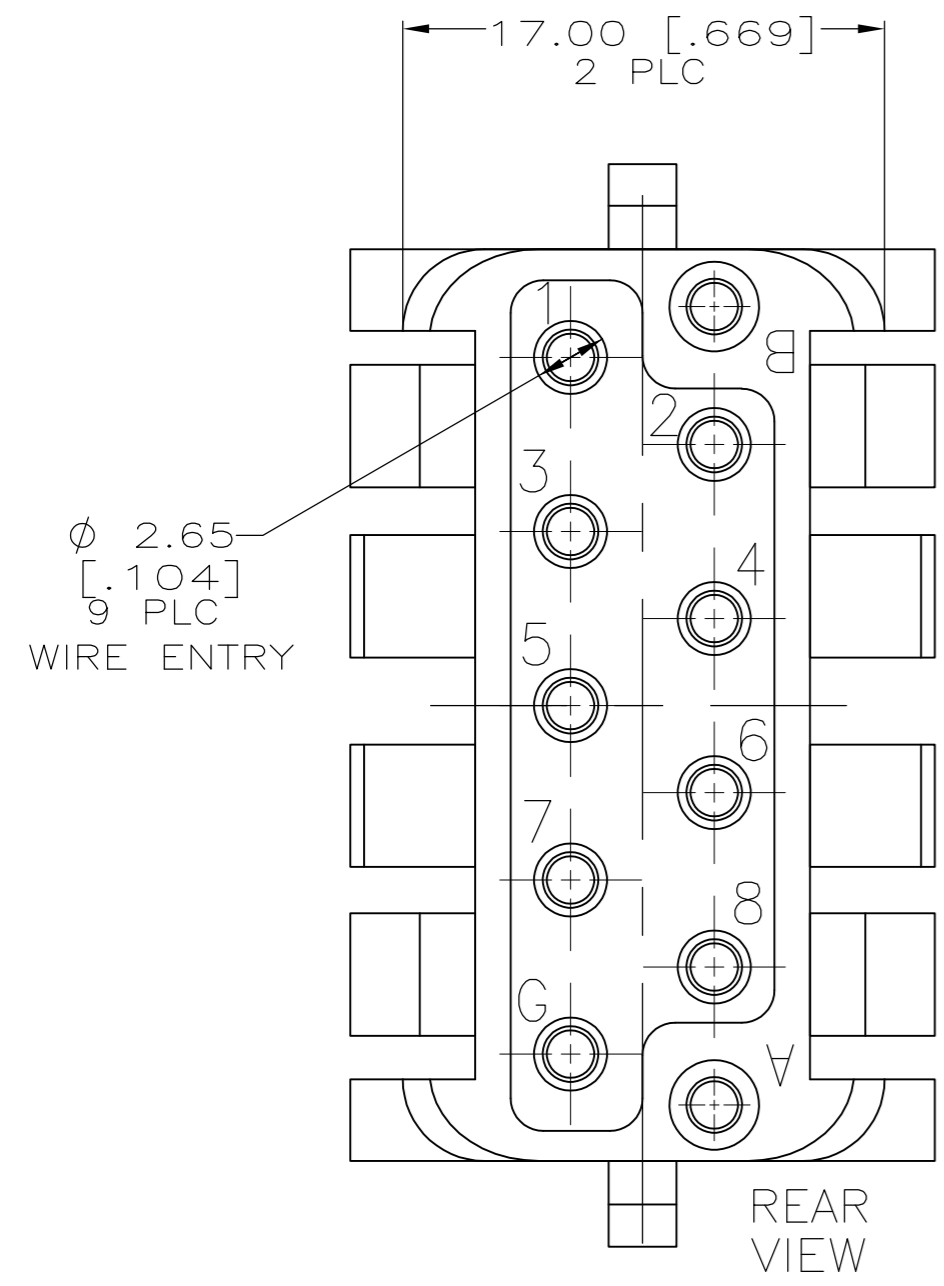
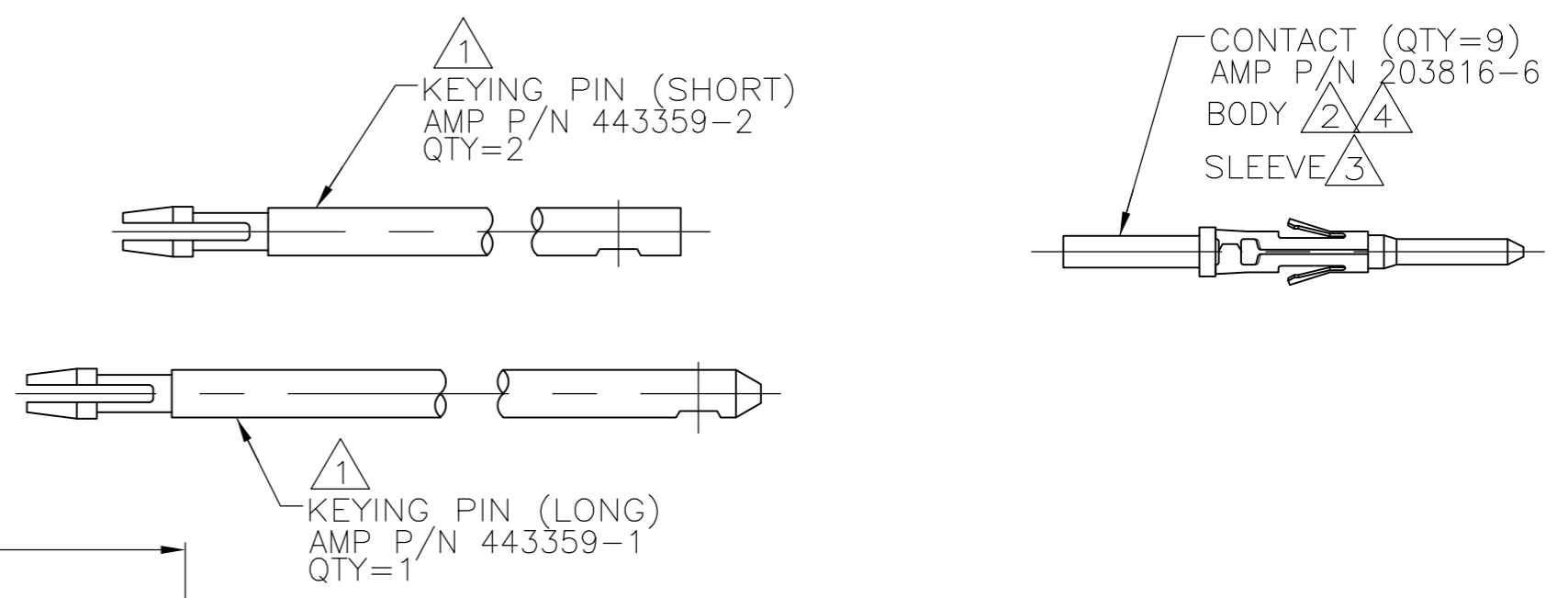
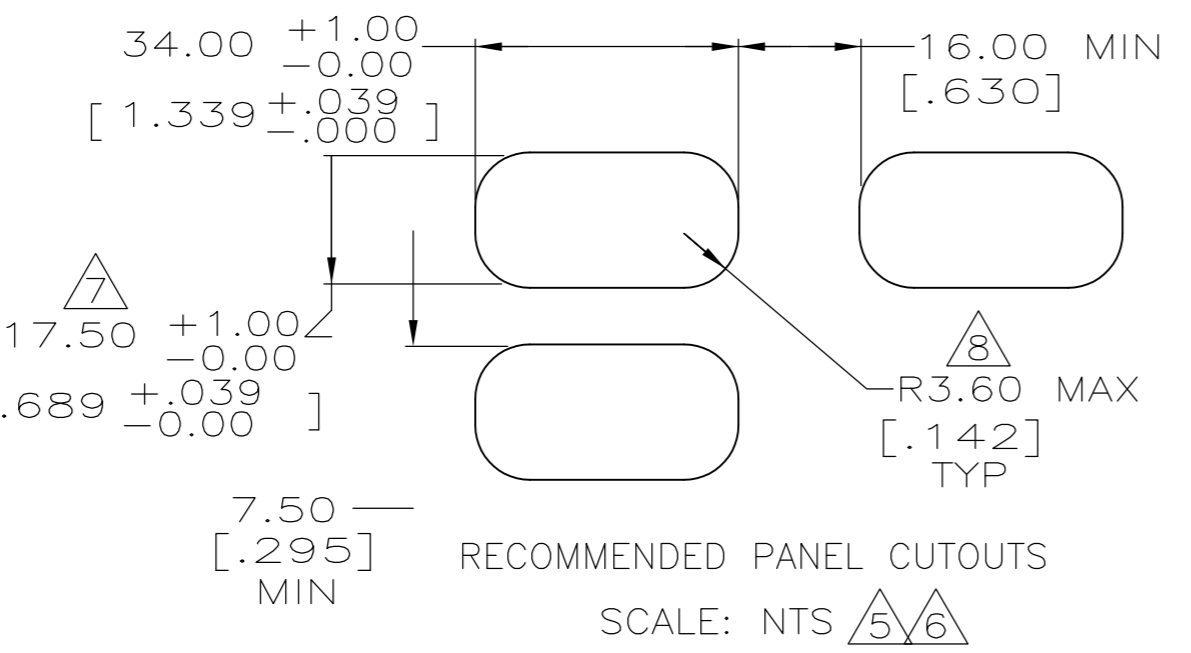


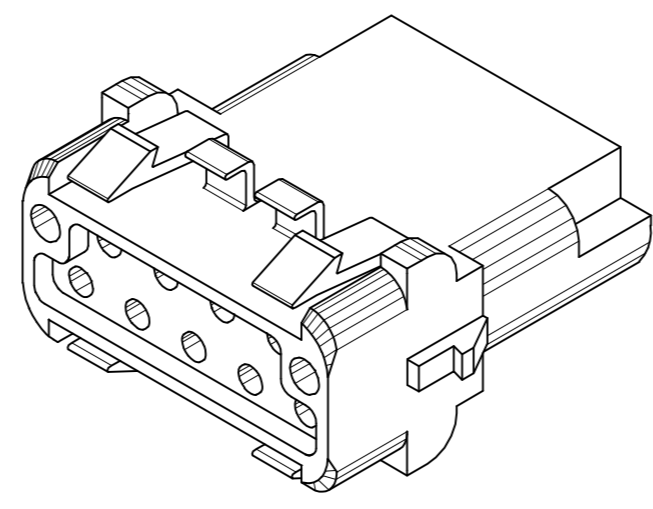
THIS DRAWING IS UNPUBLISHED. RELEASED FOR PUBLICATION
 © COPYRIGHT BY TYCO ELECTRONICS CORPORATION. ALL INTERNATIONAL RIGHTS RESERVED.

LOC	DIST	REVISIONS					
DF	SO	P	LTR	DESCRIPTION	DATE	DWN	APVD
		C		REV PER ECO-10-002917	16FEB10	PY	DE

RECOMMENDED KEYING		
OPTION	A	B
#1	LONG	EMPTY
#2	EMPTY	LONG
#3	SHORT	SHORT



$\triangle 1$ HOUSING
 AMP P/N 443163-1 (NATURAL)
 AMP P/N 443163-2 (PALE BLUE)
 QTY = 1



ISOMETRIC VIEW
 SCALE: NTS

- $\triangle 1$ MAT'L: 4/6 NYLON UL94V-2 MLDG. CMPD. COLOR: SEE TABLE.
- $\triangle 2$ MAT'L: BRASS PER ASTM-B-16
- $\triangle 3$ MAT'L: STAINLESS STEEL PER QQ-S-766
- $\triangle 4$ FINISH: TIN PLATED PER MIL-T-10727
- $\triangle 5$ RECOMMENDED PANEL THICKNESS: 1.30-3.20 [.051-.126].
- $\triangle 6$ RECOMMEND REMOVAL OF SHARP EDGE ON CONNECTOR INSERTION SIDE OF PANEL CUT OUT TO FACILITATE INSERTION OF HOUSING INTO PANEL.
- $\triangle 7$ TOLERANCE IS $\begin{matrix} +0.20 \\ -0.00 \end{matrix}$ [.008] FOR PANELS OVER 2.90 [.114] THICK.
- $\triangle 8$ SQUARED CORNERS ARE ACCEPTABLE.
- $\triangle 9$ ANTI-VIBRATION TABS MAXIMUM FLEX WIDTH: 22.00 [.866] WITH 3.20 [.126] THICK PANEL.
- $\triangle 10$ DFE DETAIL SYMBOL (PA46), IS FOR RECYCLING IDENTIFICATION ONLY, NOT A PART NUMBER.

NATURAL	443160-2
PALE BLUE	443160-1
HOUSING COLOR	PART NUMBER

THIS DRAWING IS A CONTROLLED DOCUMENT.		DWN	C.C.THOMAS	7-27-95	Tyco Electronics Corporation Harrisburg, PA 17105-3608	
DIMENSIONS:		CHK	C.SHELLY	7-27-95		
mm		APVD	C.SHELLY	7-27-95		
TOLERANCES UNLESS OTHERWISE SPECIFIED:		PRODUCT SPEC				
0 PLC \pm -		APPLICATION SPEC			NAME	KIT,RECEPTACLE,9 POSN.,LGH
1 PLC \pm -					SIZE	A2
2 PLC \pm 0.20[.008]					CAGE CODE	00779
3 PLC \pm -					DRAWING NO	C=443160
4 PLC \pm -					RESTRICTED TO	-
ANGLES \pm -		WEIGHT	-		SCALE	NTS
MATERIAL	SEE TABLE	FINISH	SEE TABLE		SHEET	1 OF 1
CUSTOMER DRAWING					REV	C