



## Wireless receivers with relay outputs

RF Rx SW915-4W 24 VAC/DC

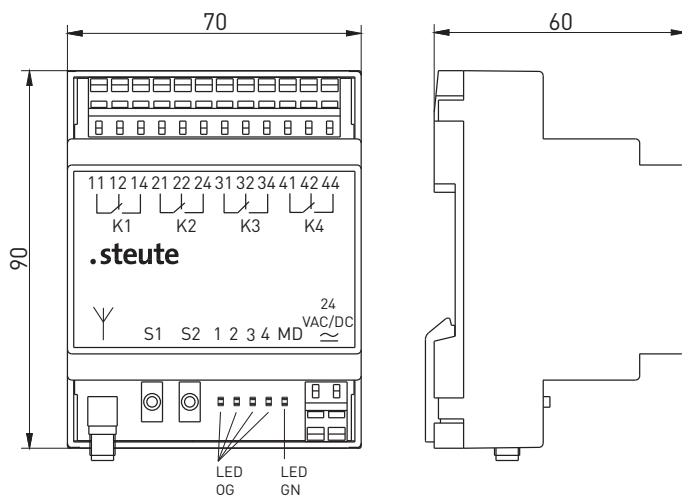
Material number: 1189618 (Material number old: 90590022)

### Features/Options:

- sWave® wireless technology
- 4 potential-free relay outputs
- 4 change-over contacts

- Transmitter/receiver assignment by teaching mode
- LEDs for indication of switching state
- SMA reverse plug-in connector for external antenna

### Dimensions



### Technical data

Standards	EN 60947-5-1; EN 61000-6-2, -6-3, EN 61000-4-2, -4-20, -4-4, -4-5, -4-6; EN 60068-2-6, EN 60068-2-27; EN 301 489-1; EN 301 489-3; EN 300 220-1; EN 300 220-2
Number of channels	4
Mounting	DIN rail mounting
Connection	terminals with CAGE CLAMP WAGO Series 236: 0.08 ... 2.5 mm <sup>2</sup> / AWG 28-12, AWG 12: THHN, THWN, stripping length 5 ... 6 mm / 0.22 in
Degree of protection	IP 20 to IEC/EN 60529
Inputs	4 wireless channels, max. 10 transmitters per channel
Outputs	4 change-over contacts (relays)
Rated operating current $I_e$	24 VDC: max. 0.1 A; 24 VAC: max. 0.25 A
Rated operating voltage $U_e$	24 VAC/DC -15 % ... +10 %
$I_e/U_e$ of output contacts	6 A/250 VAC; 2 A/24 VDC
Utilisation category	AC-15; DC-13
$U_i$	250 VAC
$U_{imp}$	2.5 kV
Frequency	915 MHz (USA, Canada and Mexico)
Display	green LED: operating state, orange LED: switching conditions
Operation cycles	approx. 12000 telegrams at repetitions/h
Degree of pollution	2 to IEC/EN 60664-1
Ambient temperature	0 °C ... +55 °C
Storage and shipping temperature	-25 °C ... +85 °C

Errors and omissions excepted.




## Wireless receivers with relay outputs

RF Rx SW915-4W 24 VAC/DC

Material number: 1189618 (Material number old: 90590022)

### Technical data

External antenna	always required for optimum wireless range
Note	Inductive loads (contactors, relays etc.) are to be suppressed by suitable circuitry.
Approvals	USA: FCC: XK5-RFRXSW915; Canada: IC: 5158A-RFRXSW915 Mexico: IFT/223/UCS/DG-AUSE/6773/2017
	
Weight	155 g

### Arrangement of receiver and switch antenna



Optimum mounting



Possible mounting



Unsuitable mounting

#### Note

Magnetic base antennae must be mounted on a metal plate of min. 250 x 250 mm size.