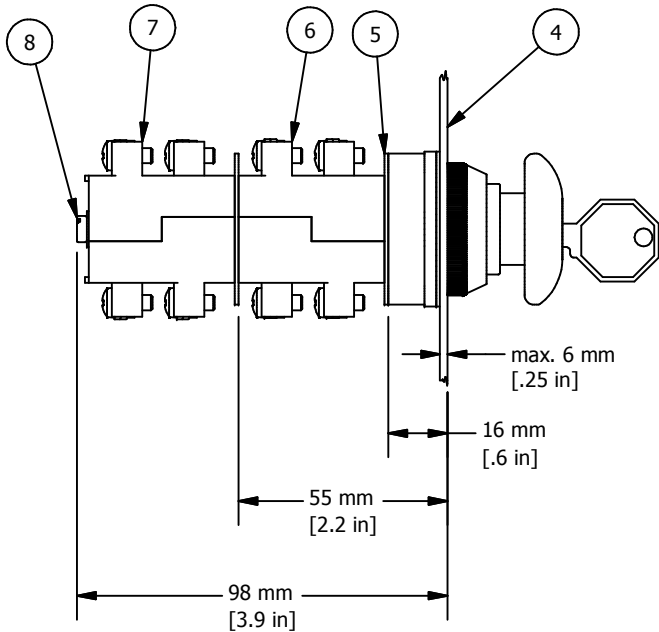
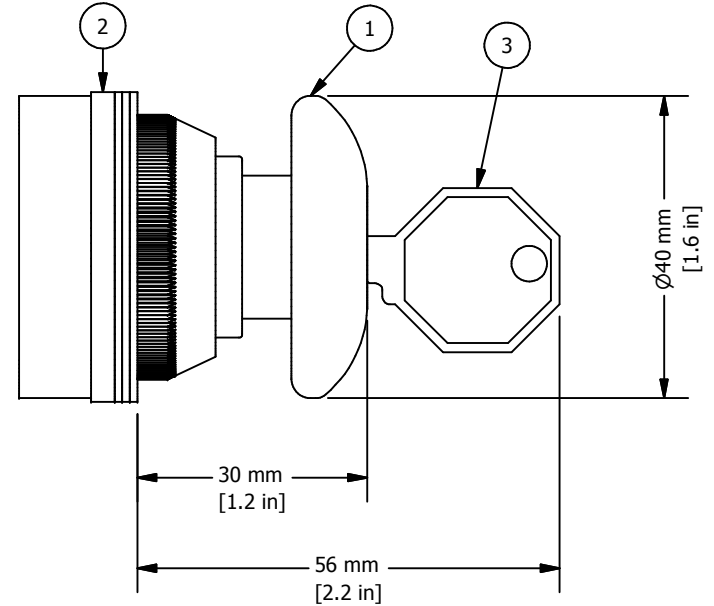
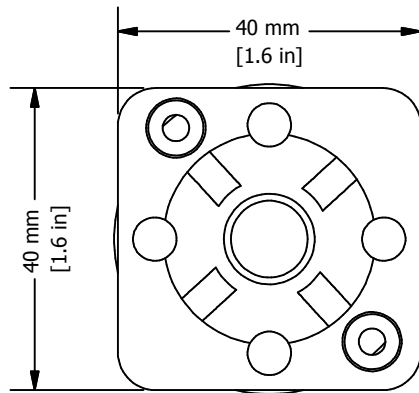


REVISION FOR DWG # 1PB-AMLKBx

| REV | CH.NO. | DESCRIPTION     | DATE       | REVISED BY |
|-----|--------|-----------------|------------|------------|
| -   | -      | ORIGINAL DESIGN | 11/20/2007 | PHILIPP E. |



- \* = Operator includes 3x ARW1.2, 1x ARW3.2 and 1x Key
- \*\* = Switch Contacts include Contact element washer and two SC24 installation screws, if more than two contact blocks are used, additional screws must be purchased separately (SC45, SC65 or SC90)

| ITEM | DESCRIPTION                                   | CAT. NO.            | COLOR  | MIN. QTY. | MAX. QTY. |
|------|---|---------------------|--------|-----------|-----------|
| 1*   | 30 mm Non-Illuminated Mushroom Metal Operator | AMLKB2              | Black  | 1         | 1         |
|      |   | AMLKB4              | Red    | 1         | 1         |
|      |   | AMKB2               | Black  | 1         | 1         |
|      |   | AMKB4               | Red    | 1         | 1         |
| 2*   | Rubber washer                                 | ARW1.2/ARW3.2       | Black  | 1         | 4         |
| 3*   | Key   | -                   | -      | 1         | 1         |
| 4    | Panel   | -                   | -      | -         | -         |
| 5**  | Contact Element washer                        | -                   | Black  | 1         | 2         |
| 6**  | Switch Contacts                               | S11                 | Red    | 1         | 2         |
| 7**  | Switch Contacts                               | S12                 | Yellow | 1         | 2         |
| 8**  | Contact Block Installation Screws             | SC25/SC45/SC65/SC90 | -      | 2         | 2         |

UNLESS OTHERWISE SPECIFIED:  
 • ALL DIMENSIONS ARE IN MILLIMETERS  
 • THIRD ANGLE PROJECTION



This Drawing is the property of  
**Altech Corp.**

35 Royal Road  
 Flemington, NJ 08822-6000  
 (908) 806-9400  
 Fax (908) 806-9490

METRIC

| TOLERANCE |   |         |
|-----------|---|---------|
| XX        | = | ±1 mm   |
| XX.X      | = | ±0.5 mm |
| XX.XX     | = | ±0.2 mm |
| ALL       | = | - mm    |

AND IS A CONFIDENTIAL DISCLOSURE LENT WITHOUT CONSIDERATION OTHER THAN THE BORROWER'S AGREEMENT THAT IT SHALL NOT BE REPRODUCED, COPIED, LENT OR DISPOSED OF DIRECTLY OR INDIRECTLY NOR USED FOR ANY PURPOSE OTHER THAN THAT FOR WHICH IT IS SPECIFICALLY FURNISHED.

TITEL **30 mm Non-Illuminated Mushroom Metal Operator AMLKBx and AMKBx (x=color)**

|                                  |            |              |            |        |   |
|----------------------------------|------------|--------------|------------|--------|---|
| DRAWN BY:<br>Philipp Ernstberger | 11/20/2007 | DRAWING NO.: | 1PB-AMLKBx | REV.:  | - |
| CHECKED BY:<br>Laszlo Gyorgypal  | 11/20/2007 | SCALE:       | -          | SHEET: | 1 |
| RELEASED BY:<br>Laszlo Gyorgypal | 11/20/2007 |              |            | OF:    | 1 |