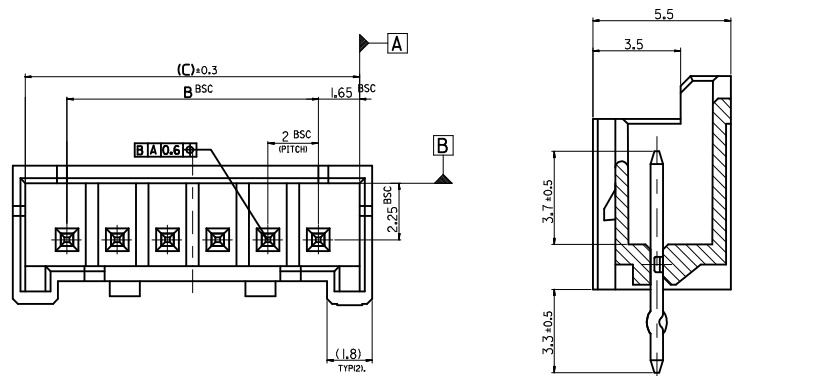
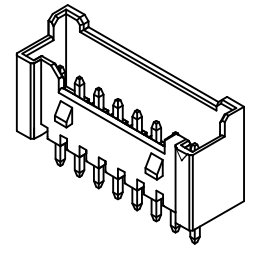
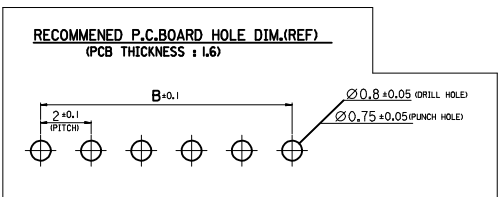


ISOMETRIC VIEW



SECTION K-K'



LEGEND

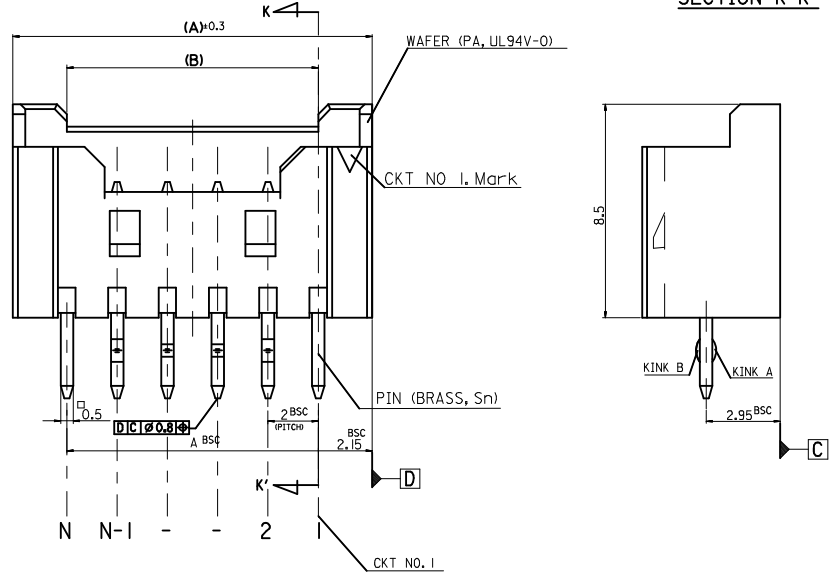
SD-35362 - ***

CTK NO. COLOR

0	NATURAL
1	BLACK
2	RED
3	YELLOW
4	BLUE
5	GREEN
6	TUBE PACKING (Natural Color)
7	TUBE PACKING (Red Color)
8	TUBE PACKING (Blue Color)

FINAL GOOD (BULK) 5 : SELECTIVE KINK (LEAD FREE)
 6 : NONE KINK (LEAD FREE)

SUB ASSY (TUBE) 7 : SELECTIVE KINK (LEAD FREE)
 8 : NONE KINK (LEAD FREE)

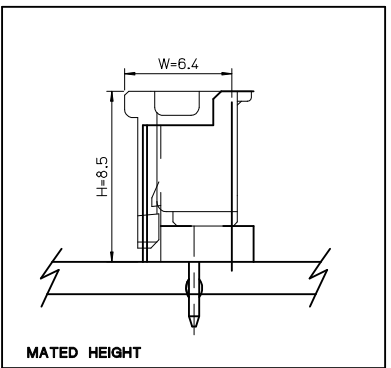


NOTES

- MATERIAL : UNFILLED POLYAMIDE, UL94V-0
PIN : BRASS
- FINISHES : PIN : Tin(Sn) 1-3µm OVERALL
- PRODUCT SPECIFICATION : PS-35507-003
- MATING HOUSING : 35507-***0*
MATING TERMINAL : 50212-8000
- KINK

31.3	28	32.3	3536215**	35362-15**	I5
29.3	26	30.3	3536214**	35362-14**	I4
27.3	24	28.3	3536213**	35362-13**	I3
25.3	22	26.3	3536212**	35362-12**	I2
23.3	20	24.3	3536211**	35362-11**	I1
21.3	18	22.3	3536210**	35362-10**	I0
19.3	16	20.3	3536209**	35362-09**	9
17.3	14	18.3	3536208**	35362-08**	8
15.3	12	16.3	3536207**	35362-07**	7
13.3	10	14.3	3536206**	35362-06**	6
11.3	8	12.3	3536205**	35362-05**	5
9.3	6	10.3	3536204**	35362-04**	4
(C)	B	(A)	ENG. NO.	ENG. NO.	CKT

CKT NO	1	2	3	4	5	N-2	N-1	N
6 CKT OVER	-	A	B	-	-	B	A	-
5 CKT	A	B	-	B	A			
4 CKT	A	B	B	A				



LEAD FREE

30 over	±0.3
10 over 30 under	±0.25
10 under	±0.2
ANGLE	±3°
GENERAL TOLERANCE	

REVISED
 EC NO: KOR2015-0019
 TDRW:KTKI/M01 2014/08/25
 CHK:KSK/IM 2014/08/26
 APPR:YSK/IM02 2014/09/03

QUALITY SYMBOLS
 F_A=0
 F_C=0
 F_P=0

GENERAL TOLERANCES (UNLESS SPECIFIED)

	mm	INCH
4 PLACES	± ---	± ---
3 PLACES	± ---	± ---
2 PLACES	± ---	± ---
1 PLACE	± ---	± ---
0 PLACE	±	±

ANGULAR ±---°
 DRAFT WHERE APPLICABLE MUST REMAIN WITHIN DIMENSIONS

DIMENSION STYLE
MM ONLY

DRAWN BY: YS00KIM DATE: 1996/09/11
 CHECKED BY: DATE: 1996/09/11
 APPROVED BY: DATE:

MATERIAL NO. DOCUMENT NO. SHEET NO.
SEE TABLE SD-35362-002 1 OF 1

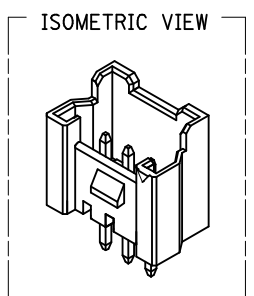
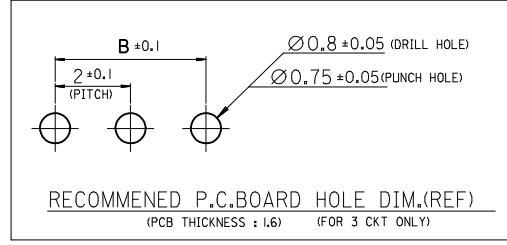
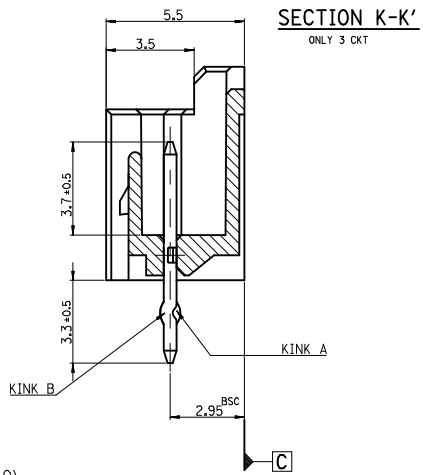
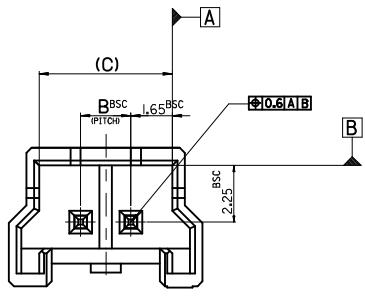
SIZE: A3
 THIS DRAWING CONTAINS INFORMATION THAT IS PROPRIETARY TO MOLEX INCORPORATED AND SHOULD NOT BE USED WITHOUT WRITTEN PERMISSION

SCALE: 5:1
 DESIGN UNITS: METRIC
 THIRD ANGLE PROJECTION

**2.0 W/B WAFER ASS'Y
 -LEAD FREE-**

molex

FOR 2 & 3 CKTS.



LEGEND

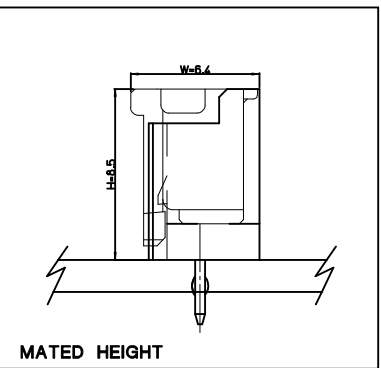
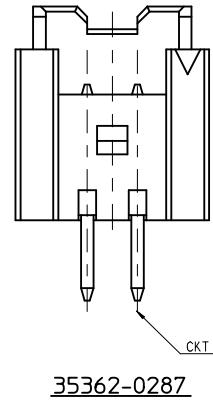
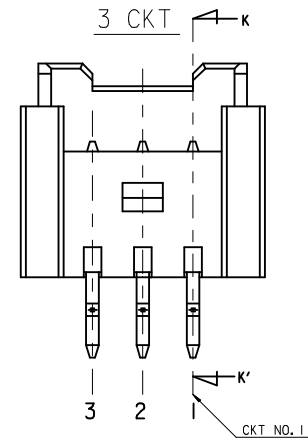
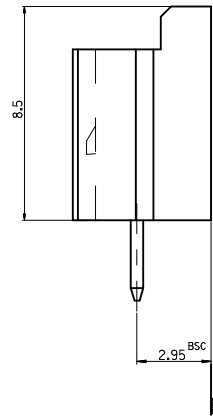
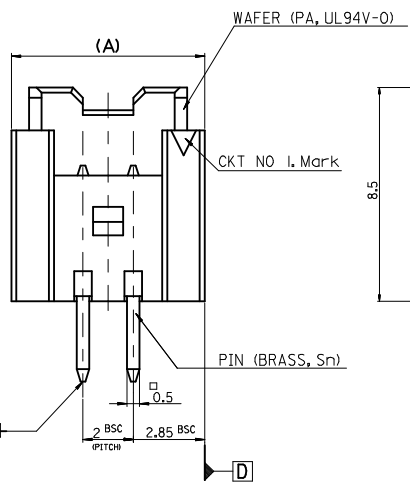
SD-35362-***
 CKT NO. _____ COLOR _____

FINAL GOOD (BULK)	5 : SELECTIVE KINK (LEAD FREE)	COLOR	0 : NATURAL
SUB ASSY (TUBE)	6 : NONE KINK (LEAD FREE)		1 : BLACK
	7 : SELECTIVE KINK (LEAD FREE)		2 : RED
	8 : NONE KINK (LEAD FREE)		3 : YELLOW
			4 : BLUE
			5 : GREEN
			6 : TUBE PACKING (Natural Color)
			7 : TUBE PACKING (Red Color)
			8 : TUBE PACKING (Blue Color)

- NOTES**
- MATERIAL : UNFILLED POLYAMIDE, UL94V-0
PIN : BRASS
 - FINISHES : PIN : Tin(Sn) 1-3µm OVERALL
 - PRODUCT SPECIFICATION : PS-35507-003
 - MATING HOUSING : 35507-***0*
MATING TERMINAL : 50212-8000
 - KINK

CKT NO	1	2	3
2 CKT			
3 CKT	A	B	A

CKT NO	1	2
PRODUCT NO.		
35362-0287	A	B



LEAD FREE	
30 over	±0.3
10 over 30 under	±0.25
10 under	±0.2
ANGLE	±3°
GENERAL TOLERANCE	

REVISED
 EC NO: KOR2015-0019
 T1 DRW: NAKT1M01 2014/08/25
 CHYKD: HSKIM 2014/08/26
 APPR: YSKIM02 2014/09/03

7.3	4	9.7	3536203**	35362-03**	3
5.3	2	7.7	3536202**	35362-02**	2
(C)	B	(A)	MATERIAL NO.	ENG. NO.	CKT

QUALITY SYMBOLS ∇ F=0 ∇ F=0 ∇ F=0	GENERAL TOLERANCES (UNLESS SPECIFIED)		DIMENSION STYLE MM ONLY		SCALE 5:1	DESIGN UNITS METRIC	THIRD ANGLE PROJECTION
	4 PLACES	±---	±---	DRAWN BY YSOOKIM	DATE 1996/09/11	TITLE 2.0 W/B WAFER ASS'Y -LEAD FREE-	
	3 PLACES	±---	±---	CHECKED BY JKOH	DATE 1996/09/11		
	2 PLACES	±---	±---	APPROVED BY	DATE		
	1 PLACE	±---	±---	MATERIAL NO.		DOCUMENT NO.	SHEET NO.
0 PLACE	±	±	DRAFT WHERE APPLICABLE MUST REMAIN WITHIN DIMENSIONS		SEE TABLE		SD-35362-002

molex

THIS DRAWING CONTAINS INFORMATION THAT IS PROPRIETARY TO MOLEX INCORPORATED AND SHOULD NOT BE USED WITHOUT WRITTEN PERMISSION

SD-35362-002

1 OF 1