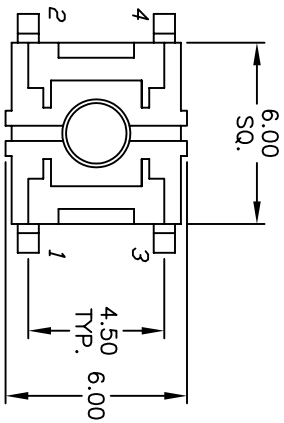
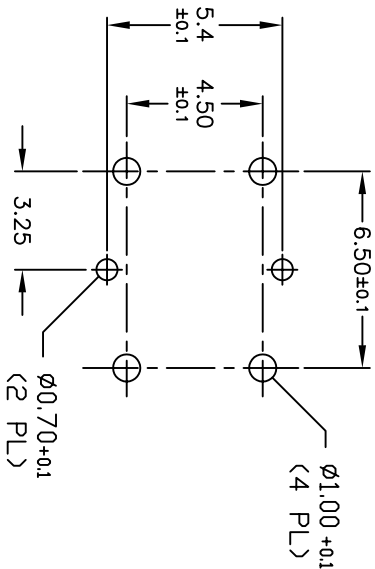


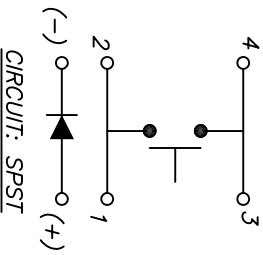
L.E.D INFO: GRN



(B)
(C)

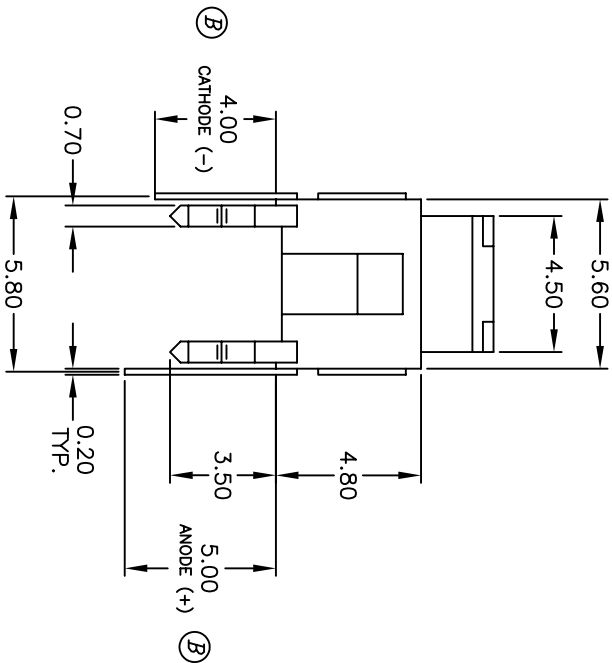
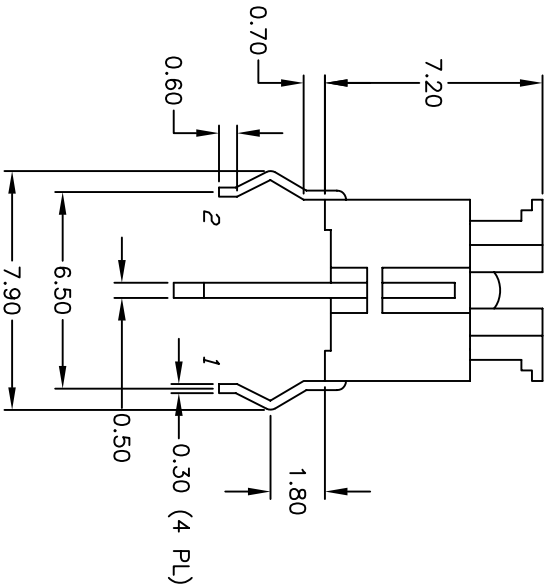
PARAMETERS	SYMBOL	MAX.	TYP.	UNITS
POWER DISSIPATION	P_d	70	-	mW
AVE FORWARD CURRENT	I_f	25	-	mA
REVERSE VOLTAGE	V_R	4	-	V
FORWARD VOLTAGE	V_f	2.8	-	V
PEAK EMISSION WAVELENGTH	λ_d	-	557	nm
REVERSE CURRENT	I_r	10	-	μA
LUMINOUS INTENSITY @ 20mA	I_v	-	3	mcd

RECOMMENDED P.C.B. LAYOUT



CIRCUIT: SPST

CONTACT CONFIGURATION



- NOTES:
1. ALL DIMENSIONS IN MM
 2. GENERAL TOLERANCE: X.XX=±0.4
X.XXX=±0.25
 3. RATING: 50mA, 12VDC
 4. TRAVEL: 0.25 +0.2/0.1mm
 5. OPERATING FORCE: 160±50gf
 6. CONTACT RESISTANCE: 100mΩ-Ohms Max
 7. 2002/95/EC (ROHS) COMPLIANT

REV.	ECN No.	DESCRIPTION	DATE	CHKD
E	15286	DIM TD 5.4 FROM 5.6 ON P.C.B.	9/16/05	PH
D	15281	REV. DESCRIPTION, ROHS NOTE	9/14/05	PH
C	13388	REVISED SPECS	8/21/03	AR
B	11324	REVISED SPECS	7/20/01	CJB

TITLE		SCALE	DATE	DR	DWG	REV
E-SWITCH®		4:1	3/22/01	CJB	P010362	E
TL1240GQ						

THE INFORMATION CONTAINED IN THIS DOCUMENT IS PROPRIETARY TO E-SWITCH AND IS NOT TO BE COPIED OR TRANSMITTED