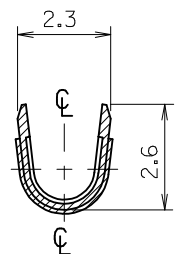
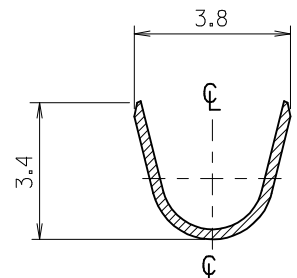


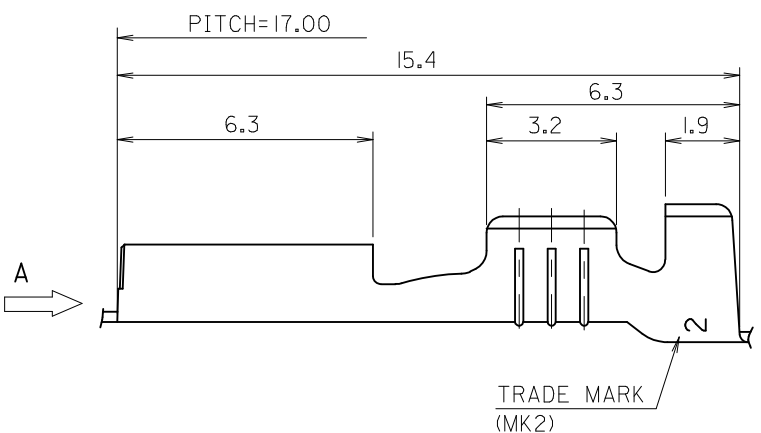
VIEW "A"



SECTION:C-C"



SECTION:D-D"



- NOTES.
- MATERIAL : BRASS
 - FINISH : 35711-0800 : UNPLATED
35711-0810 : ©PRE-TIN PLATED
0.8~1.8 μm TIN PLATING
OVERALL 0.3~0.8μm COPPER PLATING
 - PRODUCT SPECIFICATION : PS-35544-001
PS-35702-001
PS-68428-001
 - MATES WITH : 0.5t TAB
 - APPLICABLE WIRE RANGE : AWG #22~#20

REVISED EC NO: KOR2009-0111 DRWN: JHPARK01 2009/01/30 CHKD: WYANG 2009/01/30 APPR: YUNSIKKIM 2009/01/30	QUALITY SYMBOLS ▽=0 ▽=0	GENERAL TOLERANCES (UNLESS SPECIFIED)		DIMENSION STYLE MM ONLY		SCALE 8:1	DESIGN UNITS METRIC	THIRD ANGLE PROJECTION		
			mm	INCH	DRAWN BY WY.YANG	DATE 1993/04/15	TITLE .110 SLIP-ON RECEPTACLE			
		4 PLACES	±---	±---	CHECKED BY BK.CHOI	DATE 1993/04/15				
		3 PLACES	±---	±---	APPROVED BY CW.LEE	DATE 1993/04/15	MOLEX INCORPORATED DOCUMENT NO. SD-35711-08*0			
2 PLACES	±---	±---	MATERIAL NO.							
1 PLACE	±0.30	±---	DRAFT WHERE APPLICABLE MUST REMAIN WITHIN DIMENSIONS		SEE NOTE		SHEET NO. 1 OF 01			
ANGULAR ±---°		SIZE A3		THIS DRAWING CONTAINS INFORMATION THAT IS PROPRIETARY TO MOLEX INCORPORATED AND SHOULD NOT BE USED WITHOUT WRITTEN PERMISSION						