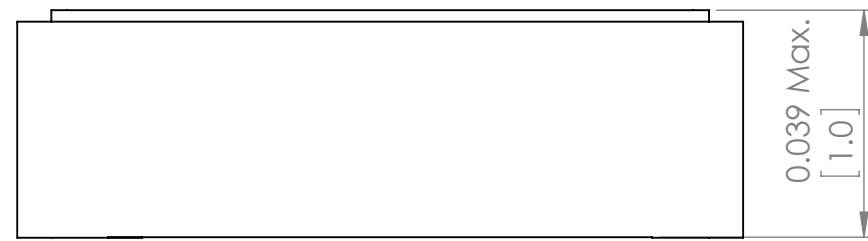
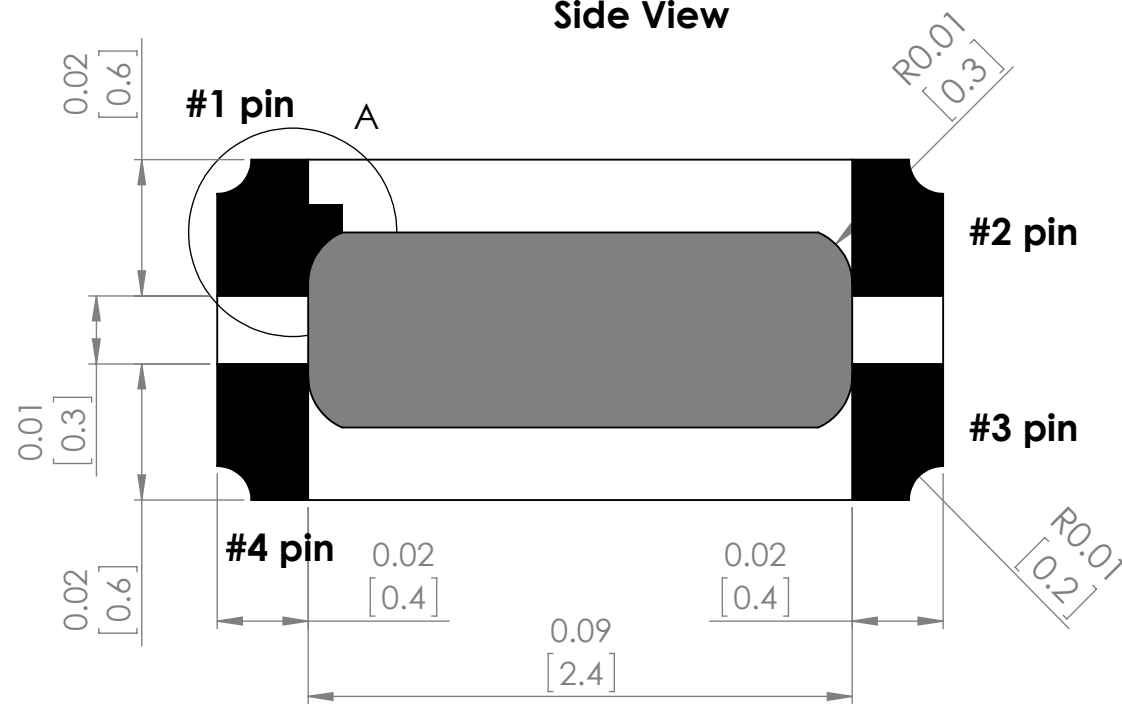




Top View

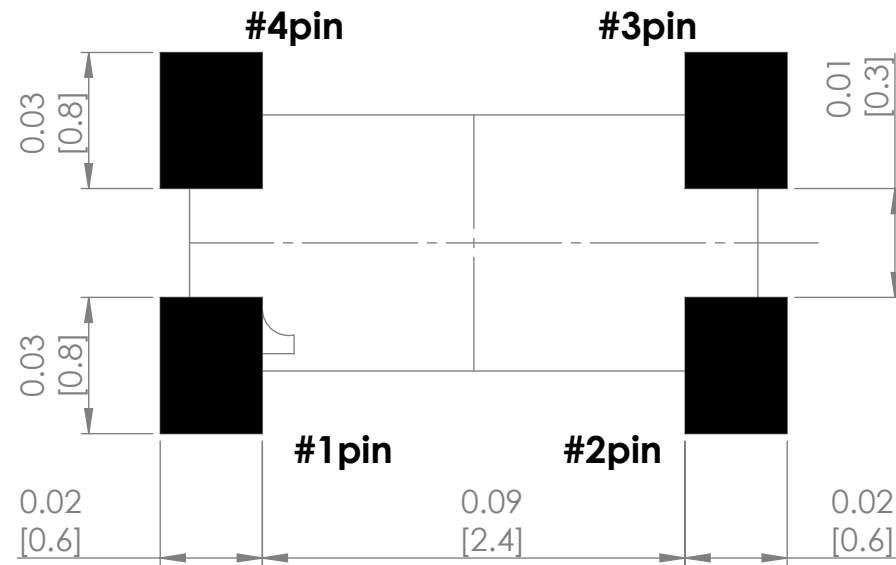


Side View



Bottom View

Recommended Land Pattern



PIN CONNECTIONS	
#1pin	Vi0
#2pin	GND
#3pin	OUTPUT
#4pin	Vdd

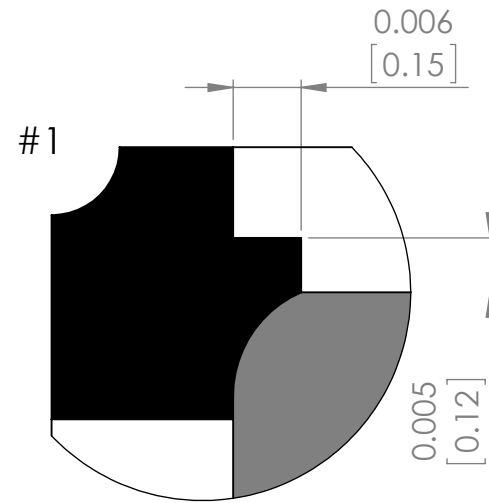
3. Enable/Disable Function

#1pin	#3PIN (OUTPUT)
"H" Level	Active
"L" Level	No -Oscillation

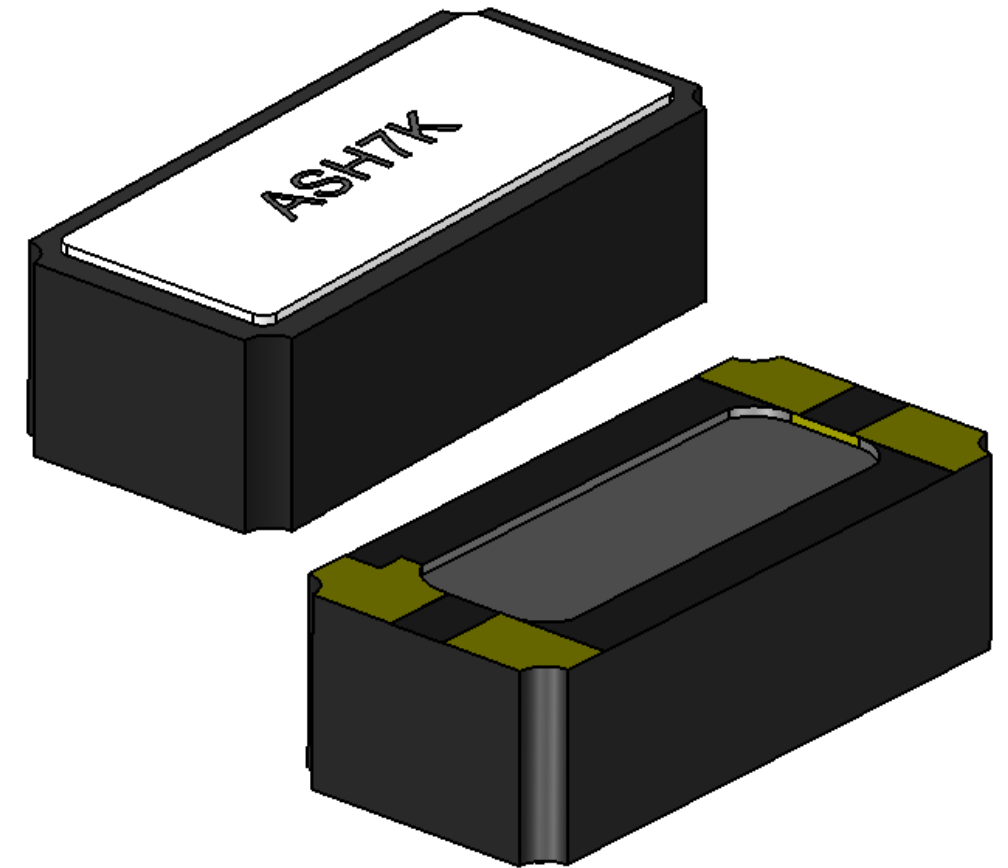
Terminal Coplanarity : 0.08mm Max
Electrode :Mo + Ni 1.5 to 8.89um
Au 0.3 to 1.0mm

Electrode :Mo + Ni 1.5 to 8.89um
Au 0.3 to 1.0mm

#1 pin Electrode part Enlargement



DETAIL A
SCALE 60 : 1



UNLESS OTHERWISE SPECIFIED: DIMENSIONS ARE IN MM SURFACE FINISH: TOLERANCES: LINEAR: ANGULAR:				FINISH:	DEBUR AND BREAK SHARP EDGES	DO NOT SCALE DRAWING	REVISION	-
DRAWN	SAAZVAT	SIGNATURE	DATE					
CHK'D	XXXXXX					30332 Esperanza, Rancho Santa margarita, California 92688		
APPV'D						TITLE: Oscillator		
MFG						DWG NO. ASH7K		A3
Q.A					MATERIAL:	SCALE:30:1		SHEET 1 OF 1
					WEIGHT:			