

THIS DRAWING IS UNPUBLISHED.

RELEASED FOR PUBLICATION

© COPYRIGHT - By -

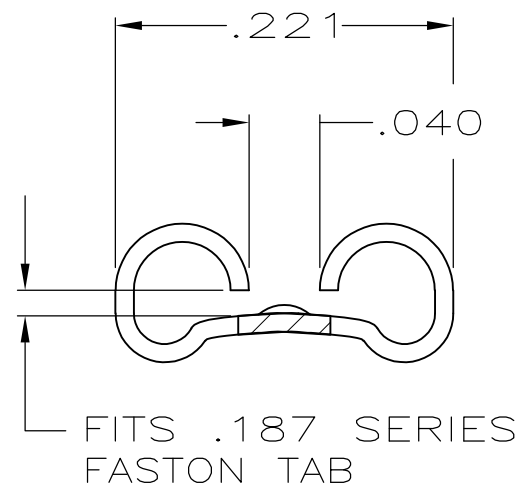
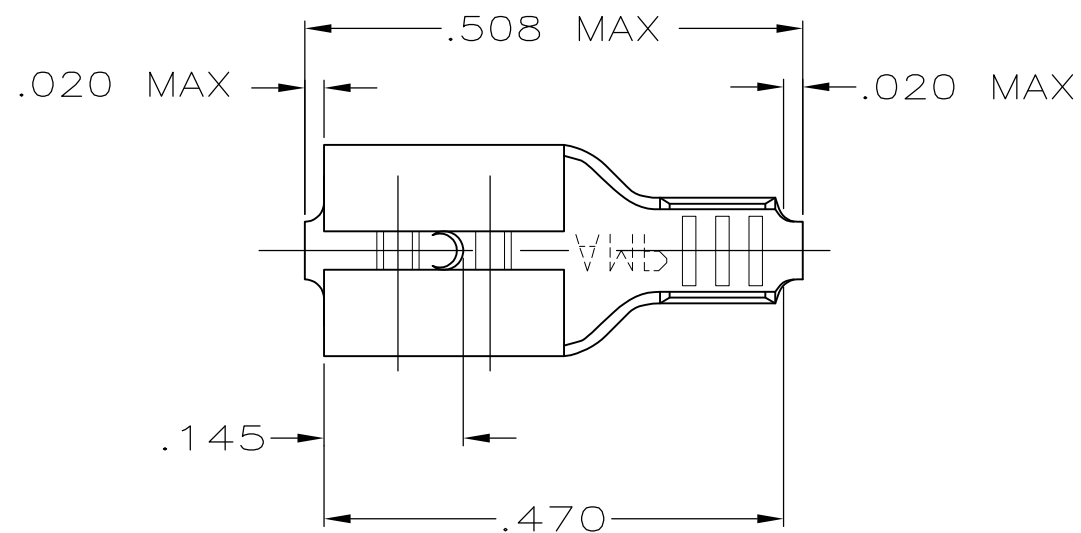
ALL RIGHTS RESERVED.

LOC AF DIST 50

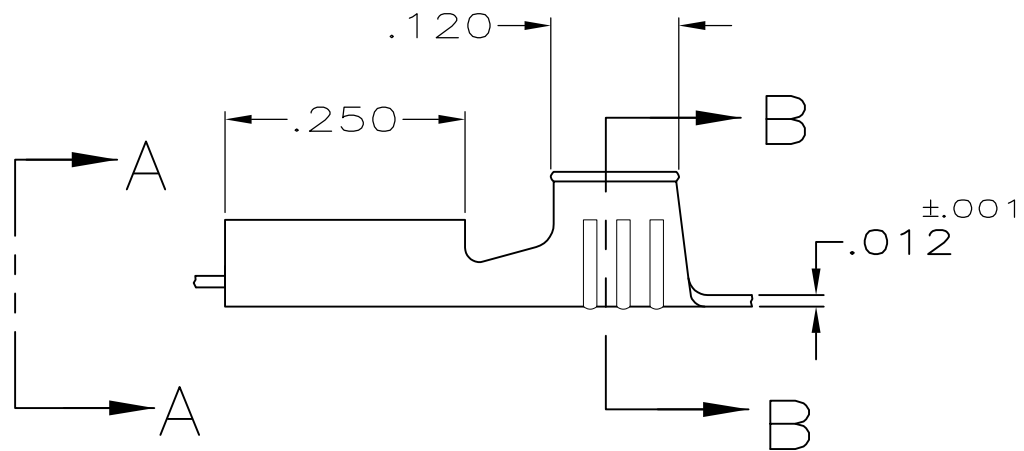
REVISIONS

P	LTR	DESCRIPTION	DATE	DWN	APVD
	A	REVISED PER ECR-12-013445	09NOV12	KH	PD

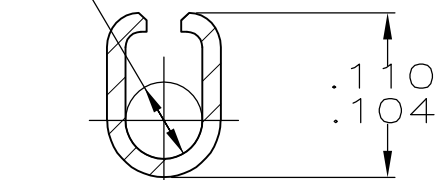
- 1 CONTINUOUS STRIP ON REELS
- 2 WIRE SIZE IS #20-#16 AWG.
- 3 MATING TAB THK IS .020±.001



VIEW A-A
SCALE 8:1



.055 DIA PIN MUST ENTER
USE .090 F CRIMPER



SECTION B-B

42373-2

42638-2

STRIP NO.

PART NUMBER

THIS DRAWING IS A CONTROLLED DOCUMENT.

DWN JR RUTH 11/12/96

CHK MS FEHER 11/12/96

APVD P DESANTIS 11/12/96

PRODUCT SPEC

APPLICATION SPEC

WEIGHT -

CUSTOMER DRAWING

STE TE Connectivity

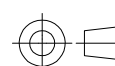
RECEPTACLE, FASTON,™ .187 SERIES

SIZE CAGE CODE DRAWING NO RESTRICTED TO

A3 00779 C-42638

SCALE 5:1 SHEET 1 OF 1 REV A

DIMENSIONS:
INCHES



TOLERANCES UNLESS
OTHERWISE SPECIFIED:

0 PLC	± -
1 PLC	± -
2 PLC	± -
3 PLC	± .015
4 PLC	± -
ANGLES	± -

MATERIAL

BRASS

FINISH

TIN