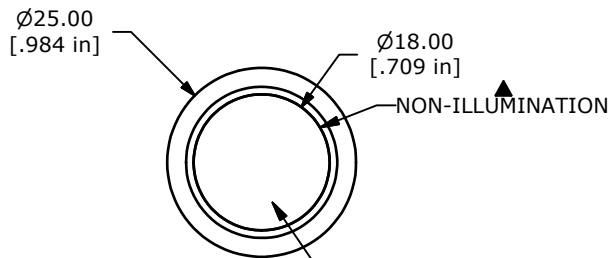
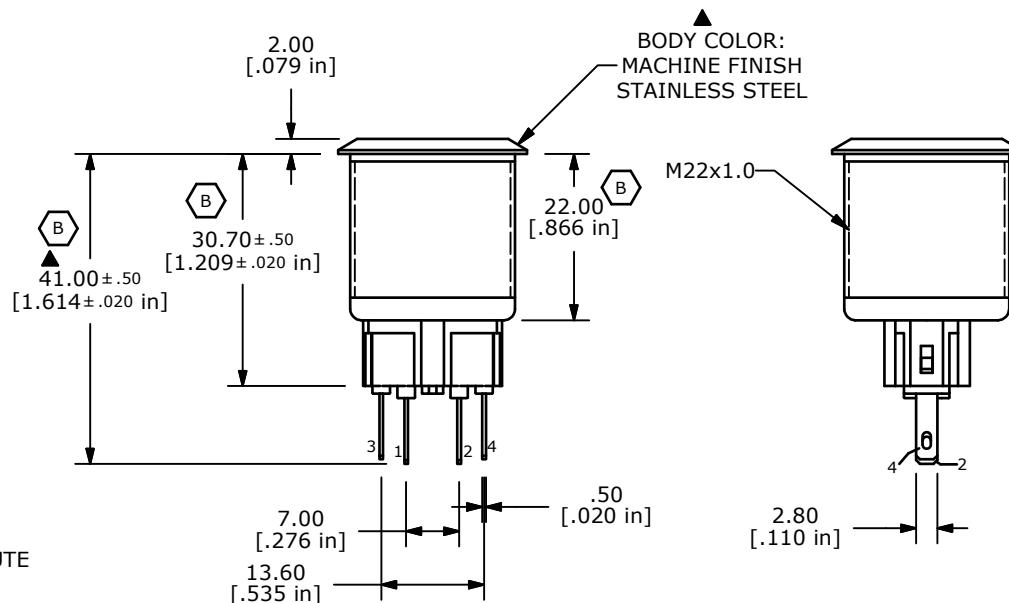
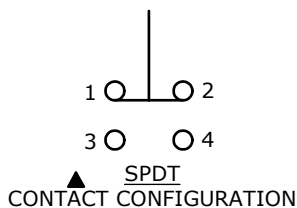
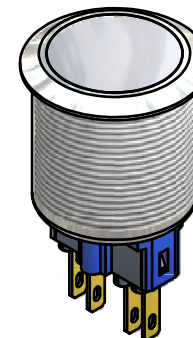


PANEL CUTOUT  
MAX. PANEL THICKNESS 8mm

SWITCH FUNCTION	
POS. 1	POS. 2
1-2	3-4



ACTUATOR COLOR:  
MACHINE FINISH  
STAINLESS STEEL



- NOTE:
1. ALL DIMENSIONS IN MM [INCH]
  2. GENERAL TOLERANCE: X.X = ± 0.4  
X.XX = ± 0.25
  3. TERMINAL NOS. FOR REF. ONLY
  - ▲ 4. FUNCTION: SPDT
  5. RATING: 2A @ 48VDC
  6. CONTACT RESISTANCE: 50mΩ MAX. @ 1A 12VDC
  7. INSULATION RESISTANCE: 1,000MΩ @ 500VDC
  8. DIELECTRIC STRENGTH: 2,000VAC MIN. FOR 1 MINUTE
  9. ELECTRICAL LIFE: 50,000 CYCLES
  10. OPERATING TEMPERATURE: -40°C TO 70°C
  11. INGRESS PROTECTION: IP65
  12. ▲ DENOTES CRITICAL PARAMETER
  13. 2002/95/EC (ROHS) COMPLIANT
  - ▲ 15. HARDWARE INCLUDED: HEX NUT AND O-RING (NOT SHOWN)



B	20255	DRAWING CORRECTIONS	11/2/11	BGL
A	20108	RELEASE FOR PRODUCTION	8/22/11	BGL
REV	PCR NO	DESCRIPTION	DATE	BY

TITLE PV7F2T0SS				
SCALE	DATE	DR	DWG	REV
1:1	8/22/2011	BGL	52-PV7F2T0SS	B

THE INFORMATION CONTAINED IN THIS DOCUMENT IS PROPRIETARY TO E-SWITCH AND IS NOT TO BE COPIED OR TRANSFERRED