

MATERIALS AND FINISHES

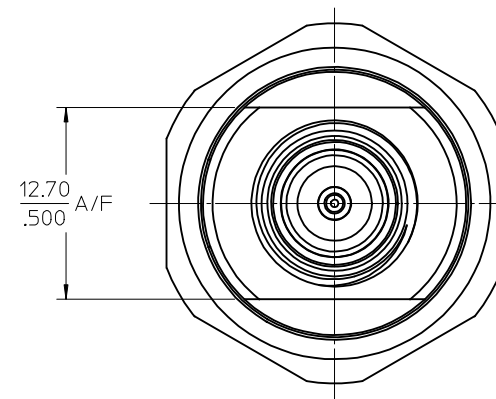
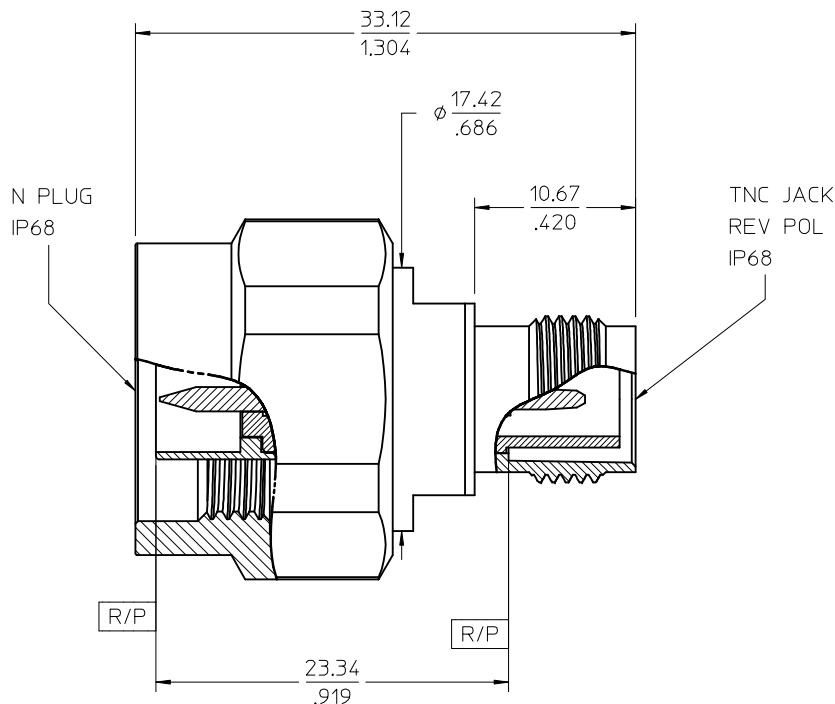
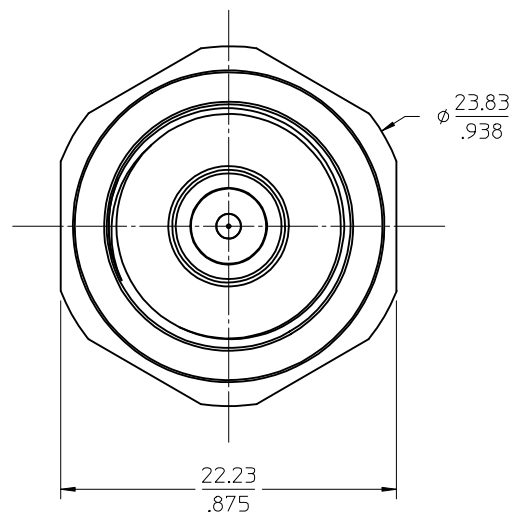
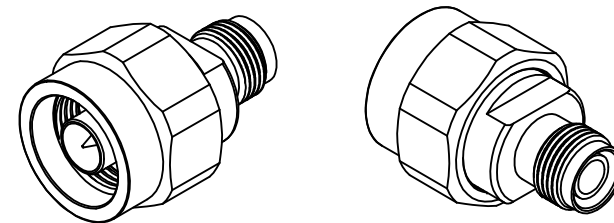
BODY, COUPLING NUT: BRASS
PLATED NICKEL

CONTACT: BRASS
PLATED GOLD

INSULATOR: TEFLON

GASKET: SILICONE RUBBER

PACKAGING: BY TRAY



PART # 73386-1580

CHG: ADD PKG PER RF15-E278 EC NO: URF2016-0091 DRW: CWE102 2015/08/06 CHKD: APPR: YCHENG 2015/08/07 DESCRIPTION REV: A1	QUALITY SYMBOLS	GENERAL TOLERANCES (UNLESS SPECIFIED)	DIMENSION STYLE	SCALE	DESIGN UNITS	THIRD ANGLE PROJECTION
	▽=0	mm INCH	MM/IN	INCH	INCH	
	▽=0	4 PLACES ± --- ± ---	DRAWN BY DATE	TITLE	N PLUG TO TNC JACK RP STRAIGHT IP68	
	▽=0	3 PLACES ± --- ± ---	CHECKED BY DATE	BSA-N/TNC, EWR-4873		
	▽=0	2 PLACES ± --- ± ---	APPROVED BY DATE	molex		
	1 PLACE ± --- ± ---	0 PLACE ± --- ± ---	MATERIAL NO.	DOCUMENT NO.	SHEET NO.	
		ANGULAR ± 2 °	733861580	SD-73386-158	1 OF 1	
		DRAFT WHERE APPLICABLE MUST REMAIN WITHIN DIMENSIONS	THIS DRAWING CONTAINS INFORMATION THAT IS PROPRIETARY TO MOLEX INCORPORATED AND SHOULD NOT BE USED WITHOUT WRITTEN PERMISSION			