

THIS DRAWING IS UNPUBLISHED.

RELEASED FOR PUBLICATION

---

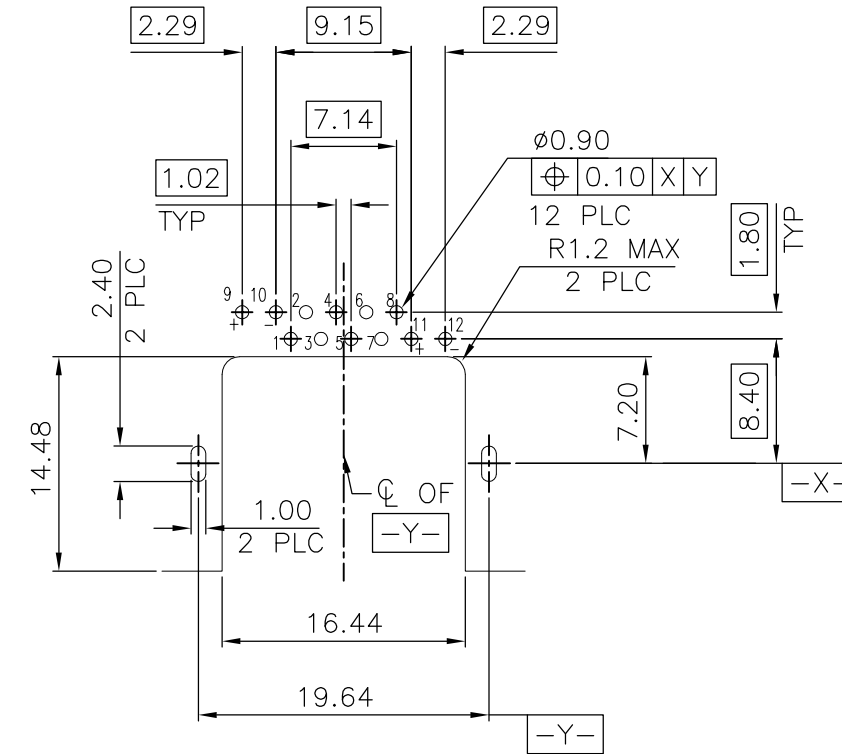
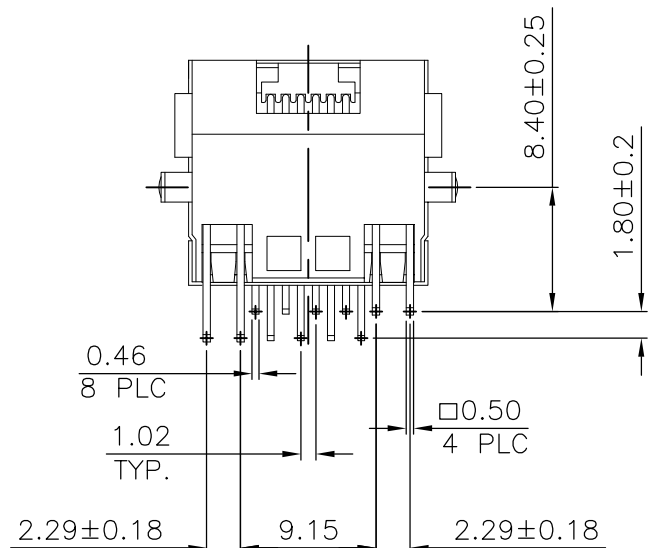
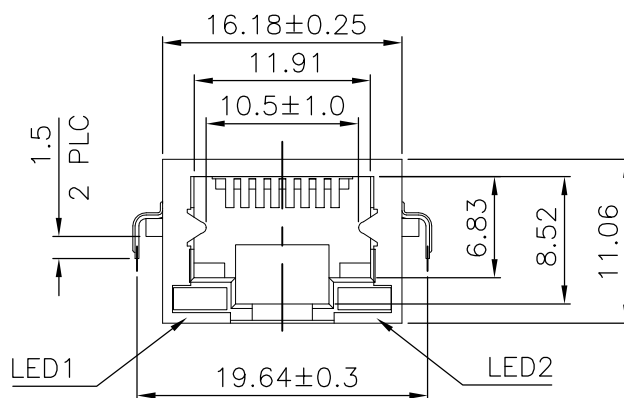
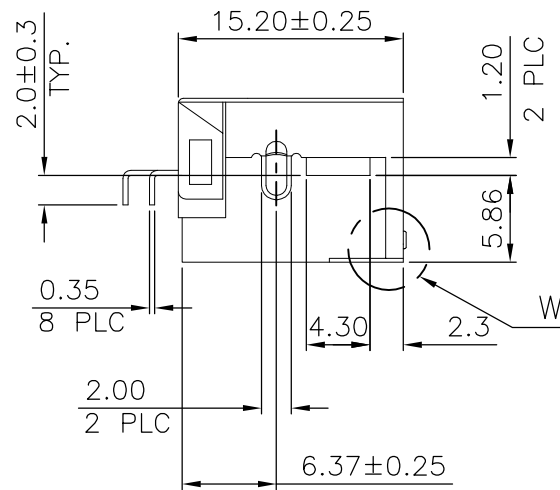
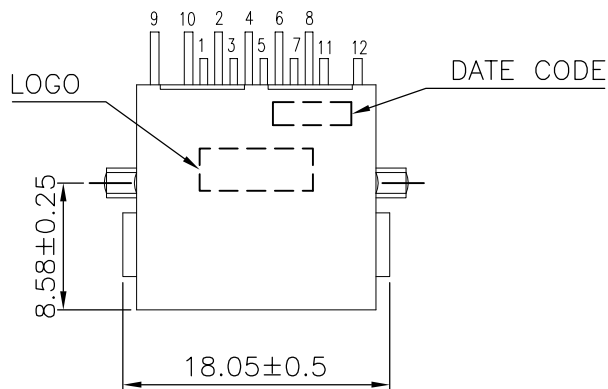
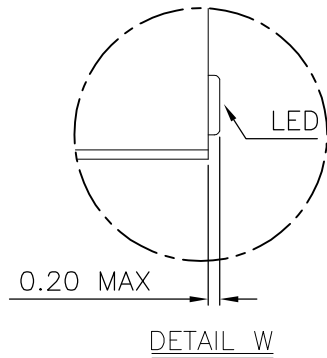
© COPYRIGHT BY TYCO ELECTRONICS CORPORATION. ALL RIGHTS RESERVED.

LOC DW

DIST -

REVISIONS

P	LTR	DESCRIPTION	DATE	DWN	APVD
	A5	ECO-14-012616	30DEC2014	LL	SH



RECOMMENDED PCB LAYOUT (THICKNESS: 1.6mm)  
 DIMENSION TOLERANCE: (1 PLC: ±0.1 2PLC: ±0.05)

NOTE:

- MATERIAL:  
 HOUSING: PA9T WITH 30% GF, UL94 V-0, BLACK COLOR.  
 CONTACTS: PHOSPHOR BRONZE.  
 SHELL: BRASS.  
 LED LIGHT: EPOXY RESIN.
  - FINISH:  
 CONTACTS: (SEE TABLE) GOLD PLATED ON CONTACT AREA, GOLD FLASH ON SOLDER TAILS, 1.27µm [50µ"] MIN. NICKEL UNDERPLATED OVERALL.  
 SHELL: 0.508µm [20µ"] MIN. NICKEL PLATED.  
 LED LIGHT: 1.65µm [65µ"] MIN. Ag PLATED.  
 2.159µm [85µ"] MIN. TIN PLATED.
  - LED MUST BE REFLOW COMPATIBLE TO FOLLOWING TEMPERATURE PROFILE (FOR 1 CYCLE): ABOVE 160 C FOR 120 SECONDS, PEAKING AT 260 C FOR 10 SECONDS.
  - LED DEFECT RATE IS 6000 PPM MAX. AFTER IR REFLOW PROCESS AS NOTE 3.
  - REFLOW SOLDER CAPABLE TO 260°C PER TE TEST SPEC. 109-201, CONDITION B.
- ⚠ OBSOLETE PARTS: OBSOLETE CIS STREAMLINING PER D.RENAUD/D.SINISI.

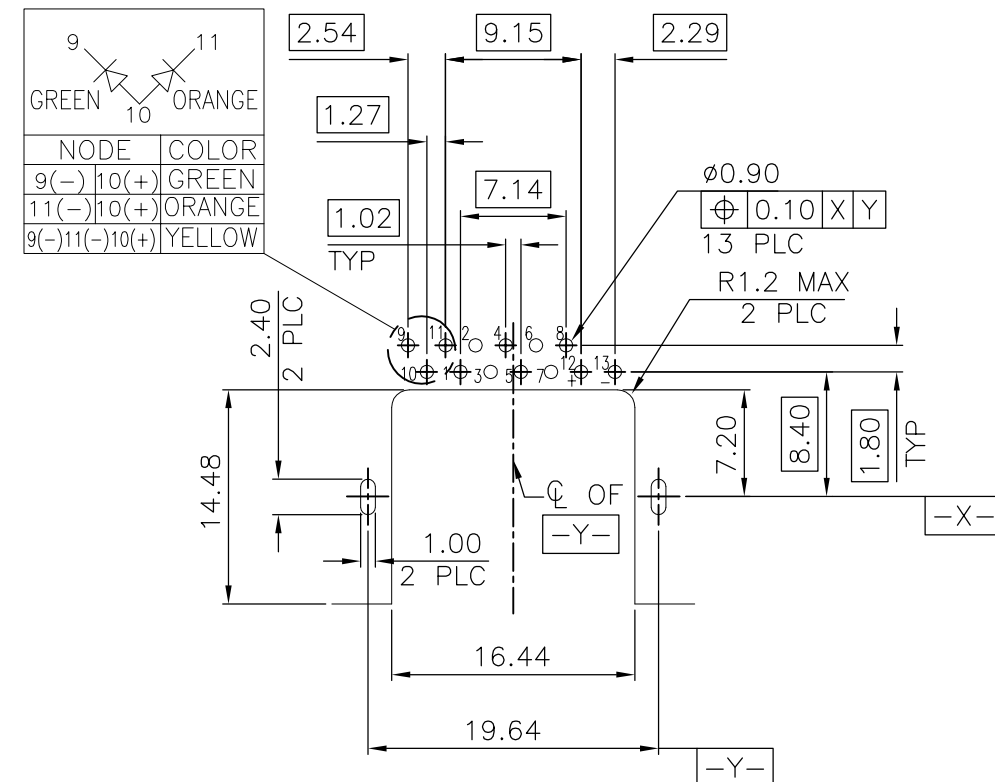
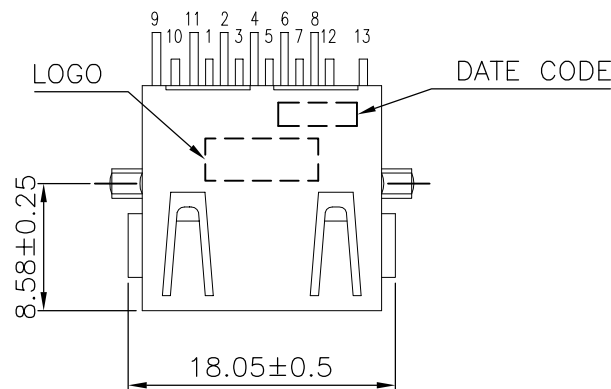
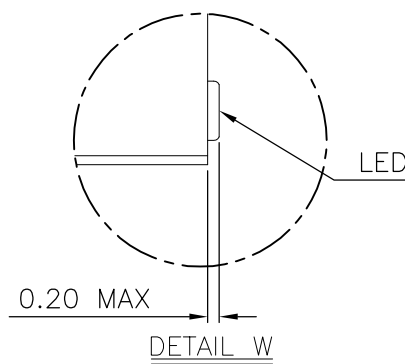
PACKAGE	LED 2 INDICATOR COLOR	LED 1 INDICATOR COLOR	MIN. GOLD THICKNESS	PART NUMBER
OBSOLETE ⚠	REEL	YELLOW	GREEN	1.27µm [50µ"] 1734819-8
				0.762µm [30µ"] 1734819-7
				0.381µm [15µ"] 1734819-6
	TRAY	YELLOW	GREEN	0.152µm [6µ"] 1734819-5
				1.27µm [50µ"] 1734819-4
				0.762µm [30µ"] 1734819-3
			0.381µm [15µ"] 1734819-2	
			0.152µm [6µ"] 1734819-1	

THIS DRAWING IS A CONTROLLED DOCUMENT.

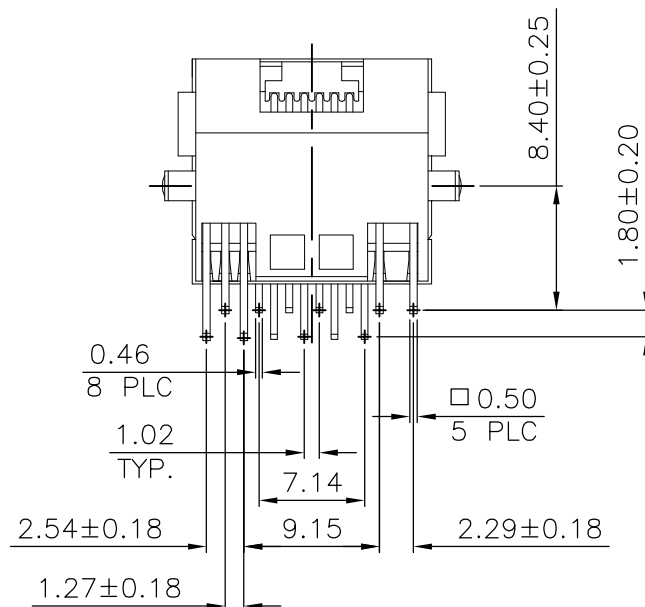
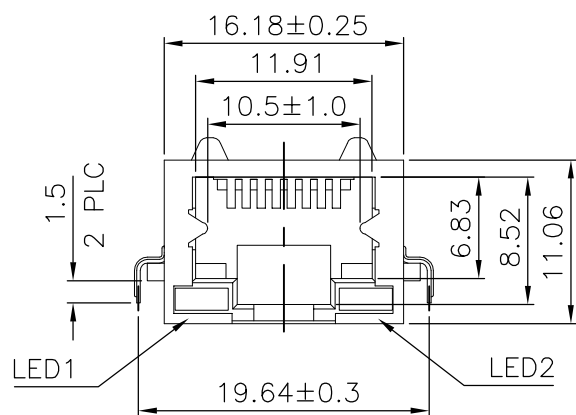
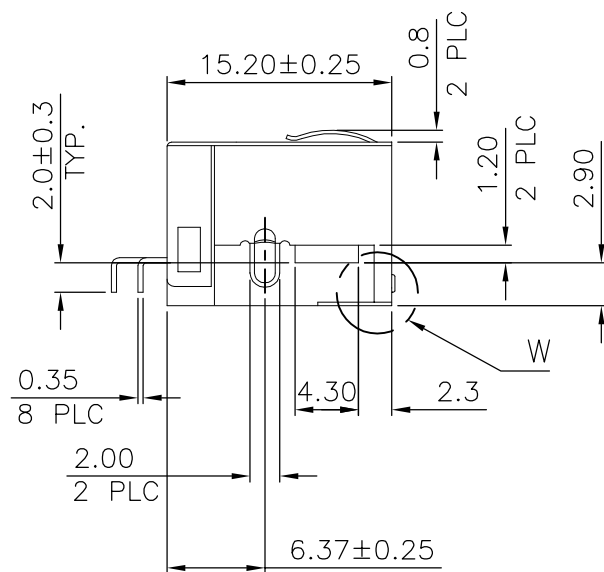
DWN T. KUO 07JUL2008	TE Connectivity NAME MODULAR JACK, RJ45, SINGLE, SHIELD, REVERSE, DIP TYPE			
CHK A. WU 07JUL2008				
APVD W. KODAMA 07JUL2008				
PRODUCT SPEC 108-57535				
APPLICATION SPEC	SIZE A3	CAGE CODE 00779	DRAWING NO C=1734819	RESTRICTED TO -
MATERIAL SEE NOTE	FINISH SEE NOTE	WEIGHT 3.0 GRAMS	CUSTOMER DRAWING	SCALE - SHEET 1 OF 6 REV A5

THIS DRAWING IS UNPUBLISHED. RELEASED FOR PUBLICATION  
 © COPYRIGHT BY TYCO ELECTRONICS CORPORATION. ALL RIGHTS RESERVED.

LOC	DIST	REVISIONS			
P	LTR	DESCRIPTION	DATE	DWN	APVD
DW	-	SEE SHEET 1.			



RECOMMENDED PCB LAYOUT (THICKNESS: 1.6mm)  
 DIMENSION TOLERANCE: (1 PLC: ±0.1 2PLC: ±0.05)



- NOTE:
- MATERIAL:  
 HOUSING: PA9T WITH 30% GF, UL94 V-0, BLACK COLOR.  
 CONTACTS: PHOSPHOR BRONZE.  
 SHELL: BRASS.  
 LED LIGHT: EPOXY RESIN.
  - FINISH:  
 CONTACTS: (SEE TABLE) GOLD PLATED ON CONTACT AREA,  
 GOLD FLASH ON SOLDER TAILS,  
 1.27µm [50µ"] MIN. NICKEL UNDERPLATED OVERALL.  
 SHELL: 0.508µm [20µ"] MIN. NICKEL PLATED.  
 LED LIGHT: 1.65µm [65µ"] MIN. Ag PLATED.  
 2.159µm [85µ"] MIN. TIN PLATED.

- LED MUST BE REFLOW COMPATIBLE TO FOLLOWING TEMPERATURE PROFILE (FOR 1 CYCLE): ABOVE 160 C FOR 120 SECONDS, PEAKING AT 260 C FOR 10 SECONDS.
  - LED DEFECT RATE IS 6000 PPM MAX. AFTER IR REFLOW PROCESS AS NOTE 3.
  - REFLOW SOLDER CAPABLE TO 260°C PER TE TEST SPEC. 109-201, CONDITION B.
- △ OBSOLETE PARTS: OBSOLETE CIS STREAMLINING PER D.RENAUD/D.SINISI.

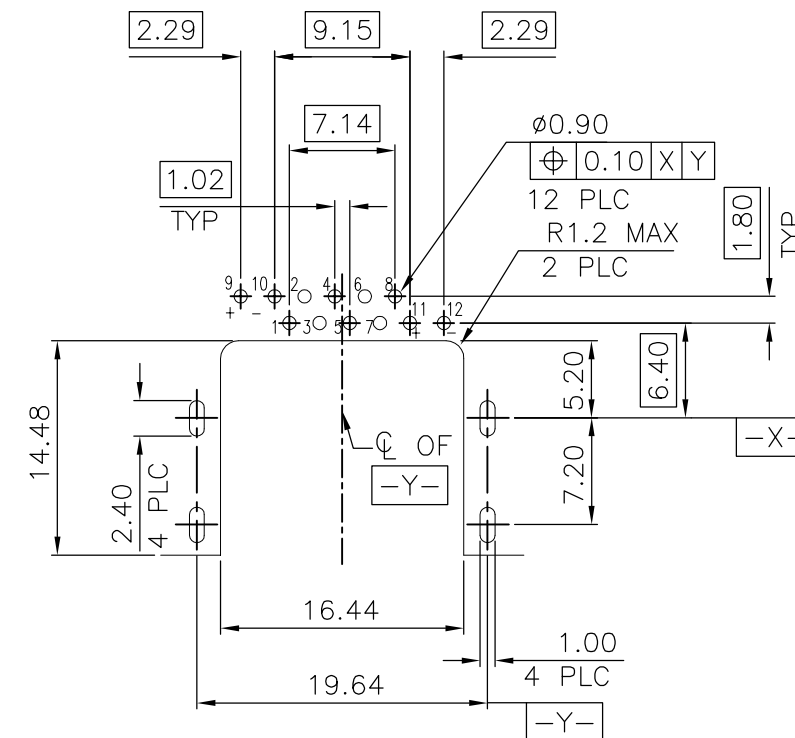
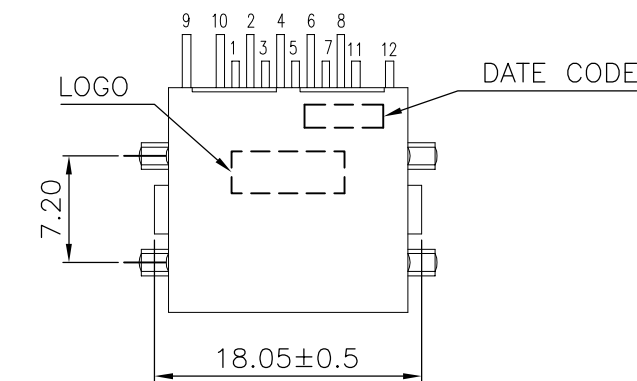
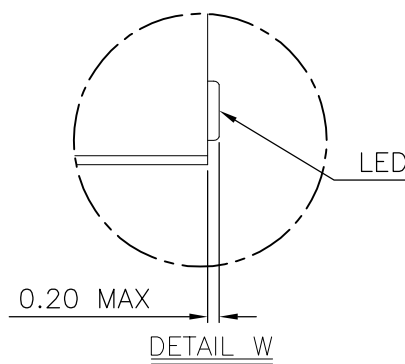
PACKAGE	LED 2 INDICATOR	LED 1 COLOR	MIN. GOLD THICKNESS	PART NUMBER
OBSOLETE △	REEL	YELLOW	GREEN	1-1734819-8
			ORANGE	1-1734819-7
			YELLOW	1-1734819-6
			YELLOW	1-1734819-5
	TRAY	YELLOW	GREEN	1-1734819-4
			ORANGE	1-1734819-3
			YELLOW	1-1734819-2
			YELLOW	1-1734819-1

THIS DRAWING IS A CONTROLLED DOCUMENT.

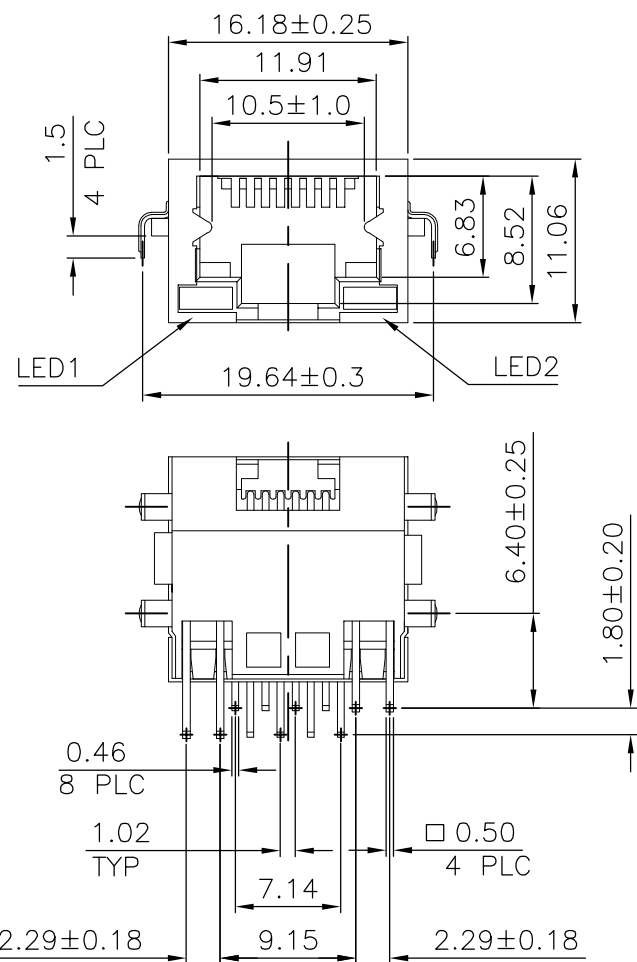
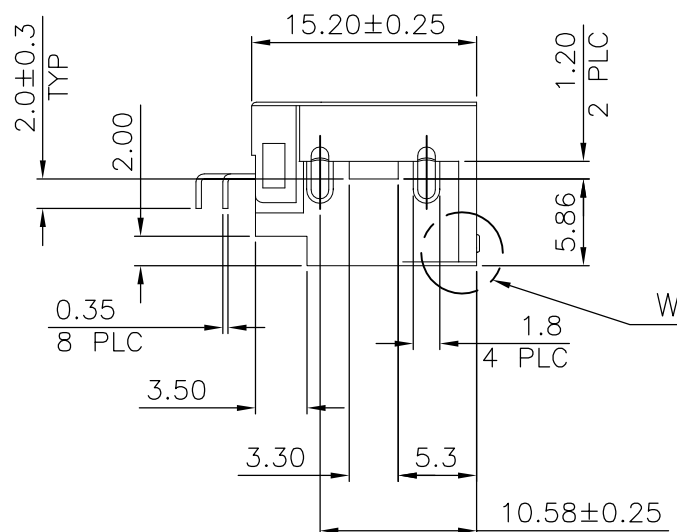
DIMENSIONS: MM	TOLERANCES UNLESS OTHERWISE SPECIFIED:	DWN	TE Connectivity	
	0 PLC ± -	CHK	NAME	
	1 PLC ± 0.30	APVD	MODULAR JACK, RJ45, SINGLE, SHIELD, REVERSE, DIP TYPE	
	2 PLC ± 0.20	PRODUCT SPEC	SIZE	CAGE CODE
	3 PLC ± 0.10	APPLICATION SPEC	A3	00779
MATERIAL	FINISH	WEIGHT	DRAWING NO	RESTRICTED TO
		SEE NOTE	SEE NOTE	C=1734819
CUSTOMER DRAWING		SCALE	SHEET	REV
		-	2 OF 6	A5

THIS DRAWING IS UNPUBLISHED. RELEASED FOR PUBLICATION  
 © COPYRIGHT BY TYCO ELECTRONICS CORPORATION. ALL RIGHTS RESERVED.

LOC	DIST	REVISIONS					
DW	-	P	LTR	DESCRIPTION	DATE	DWN	APVD
				SEE SHEET 1.			



RECOMMENDED PCB LAYOUT (THICKNESS: 1.6mm)  
 DIMENSION TOLERANCE: (1 PLC: ±0.1 2PLC: ±0.05)



- NOTE:
- MATERIAL:  
 HOUSING: PA9T WITH 30% GF, UL94 V-0, BLACK COLOR.  
 CONTACTS: PHOSPHOR BRONZE.  
 SHELL: BRASS.  
 LED LIGHT: EPOXY RESIN.
  - FINISH:  
 CONTACTS: (SEE TABLE) GOLD PLATED ON CONTACT AREA, GOLD FLASH ON SOLDER TAILS, 1.27µm [50µ"] MIN. NICKEL UNDERPLATED OVERALL.  
 SHELL: 0.508µm [20µ"] MIN. NICKEL PLATED.  
 LED LIGHT: 1.65µm [65µ"] MIN. Ag PLATED.  
 2.159µm [85µ"] MIN. TIN PLATED.
  - LED MUST BE REFLOW COMPATIBLE TO FOLLOWING TEMPERATURE PROFILE (FOR 1 CYCLE): ABOVE 160 C FOR 120 SECONDS, PEAKING AT 260 C FOR 10 SECONDS.
  - LED DEFECT RATE IS 6000 PPM MAX. AFTER IR REFLOW PROCESS AS NOTE 3.
  - REFLOW SOLDER CAPABLE TO 260°C PER TE TEST SPEC. 109-201, CONDITION B.
- ⚠️ OBSOLETE PARTS: OBSOLETE CIS STREAMLINING PER D.RENAUD/D.SINISI.

OBSOLETE ⚠️	REEL	YELLOW	GREEN	1.27µm [50µ"]	2=1734819=8
				0.762µm [30µ"]	2=1734819=7
	TRAY	YELLOW	GREEN	0.381µm [15µ"]	2=1734819=6
				0.152µm [6µ"]	2=1734819=5
				1.27µm [50µ"]	2=1734819=4
				0.762µm [30µ"]	2=1734819=3
				0.381µm [15µ"]	2=1734819=2
				0.152µm [6µ"]	2=1734819=1
	PACKAGE	LED 2	LED 1	MIN. GOLD THICKNESS	PART NUMBER
		INDICATOR	COLOR		

THIS DRAWING IS A CONTROLLED DOCUMENT.		DWN												
DIMENSIONS: MM		CHK												
TOLERANCES UNLESS OTHERWISE SPECIFIED:		APVD												
<table border="0"> <tr><td>0 PLC</td><td>± -</td></tr> <tr><td>1 PLC</td><td>± 0.30</td></tr> <tr><td>2 PLC</td><td>± 0.20</td></tr> <tr><td>3 PLC</td><td>± 0.10</td></tr> <tr><td>4 PLC</td><td>± -</td></tr> <tr><td>ANGLES</td><td>± 3'</td></tr> </table>		0 PLC				± -	1 PLC	± 0.30	2 PLC	± 0.20	3 PLC	± 0.10	4 PLC	± -
0 PLC	± -													
1 PLC	± 0.30													
2 PLC	± 0.20													
3 PLC	± 0.10													
4 PLC	± -													
ANGLES	± 3'													
MATERIAL: SEE NOTE		FINISH: SEE NOTE	NAME: MODULAR JACK, RJ45, SINGLE, SHIELD, REVERSE, DIP TYPE											
		WEIGHT	SIZE: A3	CAGE CODE: 00779	DRAWING NO: 1734819	RESTRICTED TO: -								
CUSTOMER DRAWING			SCALE: -	SHEET: 3 OF 6	REV: A5									

4

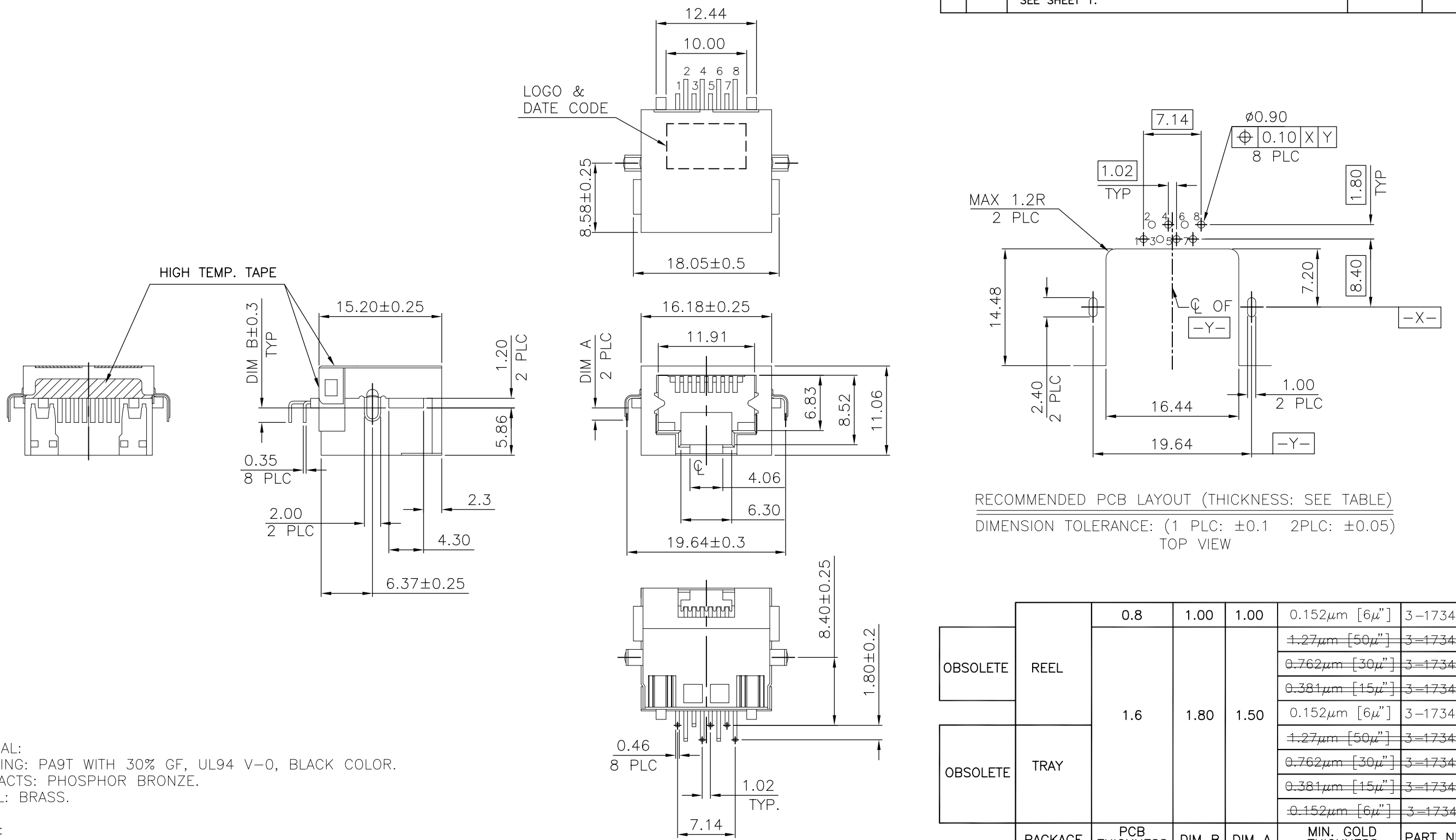
3

2

1

THIS DRAWING IS UNPUBLISHED. RELEASED FOR PUBLICATION  
 © COPYRIGHT BY TYCO ELECTRONICS CORPORATION. ALL RIGHTS RESERVED.

LOC	DIST	REVISIONS					
DW	-	P	LTR	DESCRIPTION	DATE	DWN	APVD
				SEE SHEET 1.			



RECOMMENDED PCB LAYOUT (THICKNESS: SEE TABLE)  
 DIMENSION TOLERANCE: (1 PLC: ±0.1 2PLC: ±0.05)  
 TOP VIEW

- NOTE:
- MATERIAL:  
 HOUSING: PA9T WITH 30% GF, UL94 V-0, BLACK COLOR.  
 CONTACTS: PHOSPHOR BRONZE.  
 SHELL: BRASS.
  - FINISH:  
 CONTACTS: (SEE TABLE) GOLD PLATED ON CONTACT AREA,  
 GOLD FLASH ON SOLDER TAILS,  
 1.27µm [50µ"] MIN. NICKEL UNDERPLATED OVERALL.  
 SHELL: 0.508µm [20µ"] MIN. NICKEL PLATED.
  - REFLOW SOLDER CAPABLE TO 260°C PER TE TEST SPEC.  
 109-201, CONDITION B.

OBSOLETE	REEL	0.8	1.00	1.00	0.152µm [6µ"]	3-1734819-9
					1.27µm [50µ"]	3-1734819-8
					0.762µm [30µ"]	3-1734819-7
OBSOLETE	TRAY	1.6	1.80	1.50	0.152µm [6µ"]	3-1734819-5
					1.27µm [50µ"]	3-1734819-4
					0.762µm [30µ"]	3-1734819-3
					0.381µm [15µ"]	3-1734819-2
			0.152µm [6µ"]	3-1734819-1		
PACKAGE	PCB THICKNESS	DIM B	DIM A	MIN. GOLD THICKNESS	PART NUMBER	

THIS DRAWING IS A CONTROLLED DOCUMENT.		DWN	TE Connectivity			
DIMENSIONS: MM		CHK	NAME			
TOLERANCES UNLESS OTHERWISE SPECIFIED:		APVD	MODULAR JACK, RJ45, SINGLE, SHIELD, REVERSE, DIP TYPE			
0 PLC ± - 1 PLC ± 0.30 2 PLC ± 0.20 3 PLC ± 0.10 4 PLC ± - ANGLES ± 3°		PRODUCT SPEC	SIZE	CAGE CODE	DRAWING NO	RESTRICTED TO
MATERIAL SEE NOTE		APPLICATION SPEC	A3	00779	C=1734819	-
FINISH SEE NOTE		WEIGHT	CUSTOMER DRAWING		SCALE	SHEET 4 OF 6
					REV	A5

4

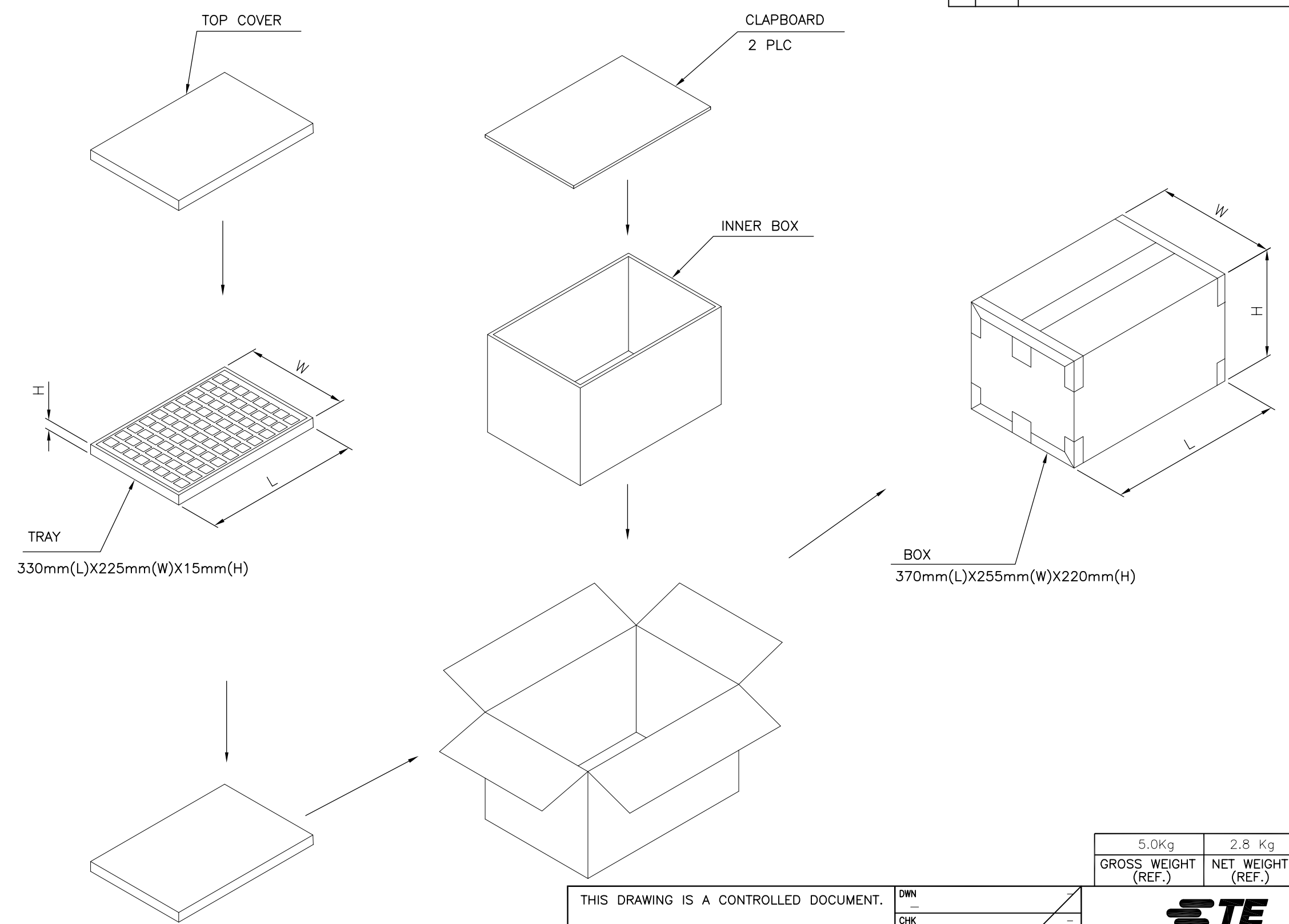
3

2

1

THIS DRAWING IS UNPUBLISHED. RELEASED FOR PUBLICATION  
 © COPYRIGHT BY TYCO ELECTRONICS CORPORATION. ALL RIGHTS RESERVED.

LOC	DIST	REVISIONS					
DW	-	P	LTR	DESCRIPTION	DATE	DWN	APVD
				SEE SHEET 1.			



5.0Kg	2.8 Kg	80	11	880 PCS
GROSS WEIGHT (REF.)	NET WEIGHT (REF.)	PCS/TRAY	TRAYS/BOX	QUANTITY

THIS DRAWING IS A CONTROLLED DOCUMENT.		DWN	-	<b>STE</b> TE Connectivity											
DIMENSIONS: MM		CHK	-												
TOLERANCES UNLESS OTHERWISE SPECIFIED:		APVD	-												
<table border="0"> <tr><td>0 PLC</td><td>± -</td></tr> <tr><td>1 PLC</td><td>± -</td></tr> <tr><td>2 PLC</td><td>± -</td></tr> <tr><td>3 PLC</td><td>± -</td></tr> <tr><td>4 PLC</td><td>± -</td></tr> <tr><td>ANGLES</td><td>± -</td></tr> </table>		0 PLC	± -		1 PLC	± -	2 PLC	± -	3 PLC	± -	4 PLC	± -	ANGLES	± -	PRODUCT SPEC
0 PLC	± -														
1 PLC	± -														
2 PLC	± -														
3 PLC	± -														
4 PLC	± -														
ANGLES	± -														
MATERIAL	FINISH	APPLICATION SPEC	-	NAME	MODULAR JACK, RJ45, SINGLE, SHIELD, REVERSE, DIP TYPE										
		WEIGHT	-	SIZE	A3										
		CUSTOMER DRAWING		CAGE CODE	00779										
				DRAWING NO	C=1734819										
				RESTRICTED TO	-										
				SCALE	-										
				SHEET	5 OF 6										
				REV	A5										

4

3

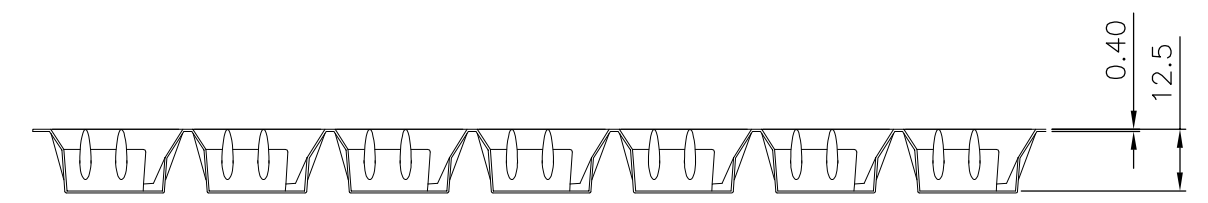
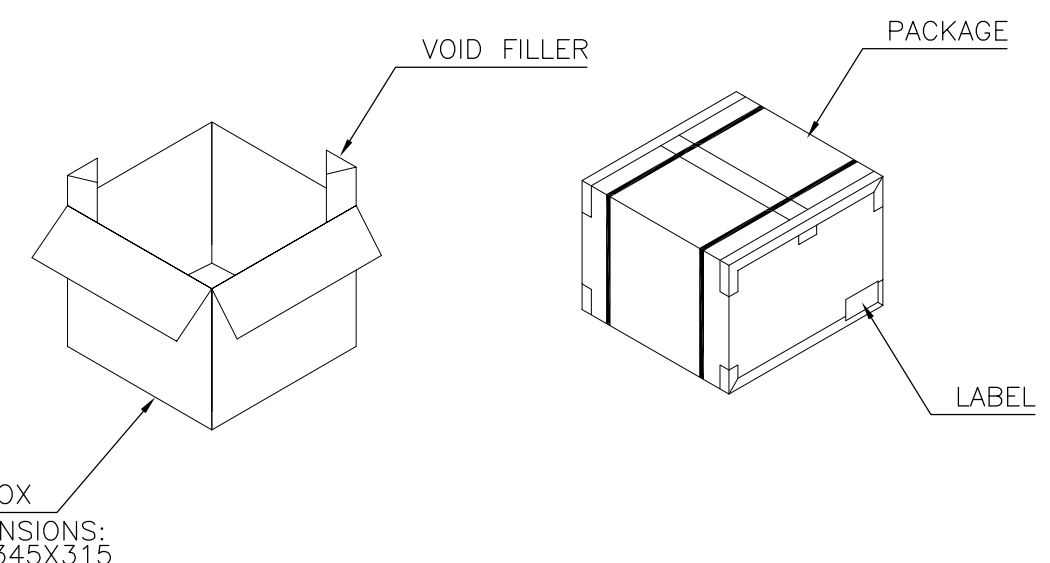
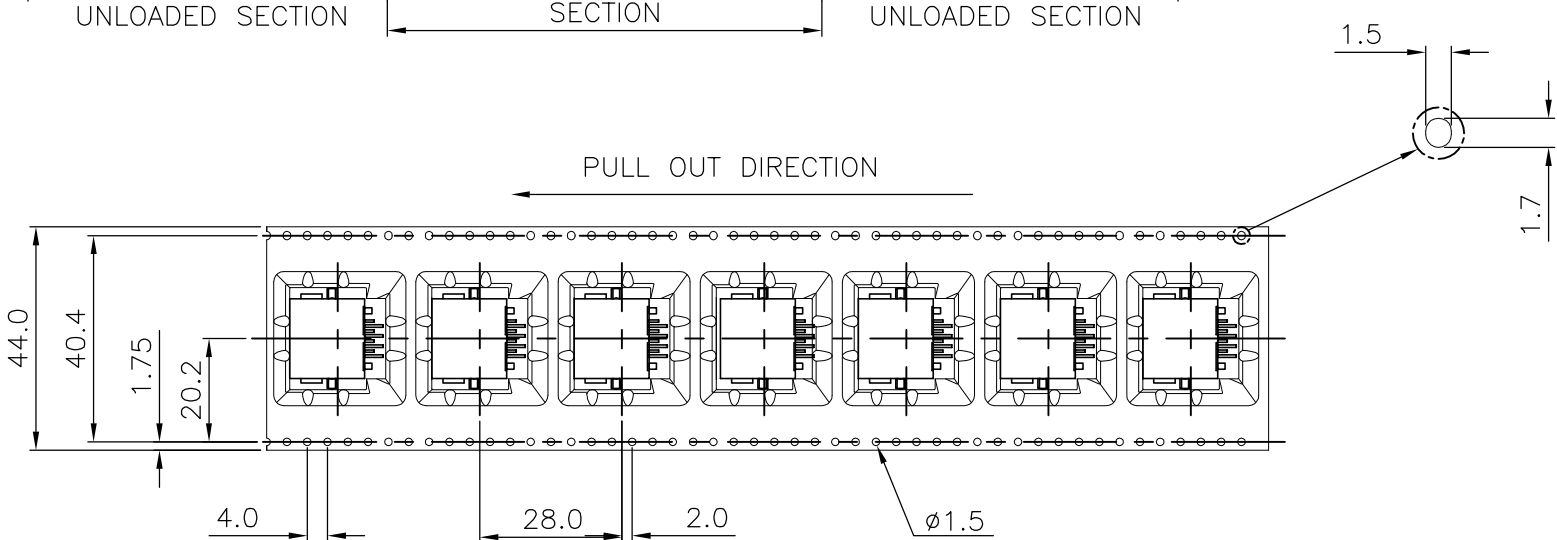
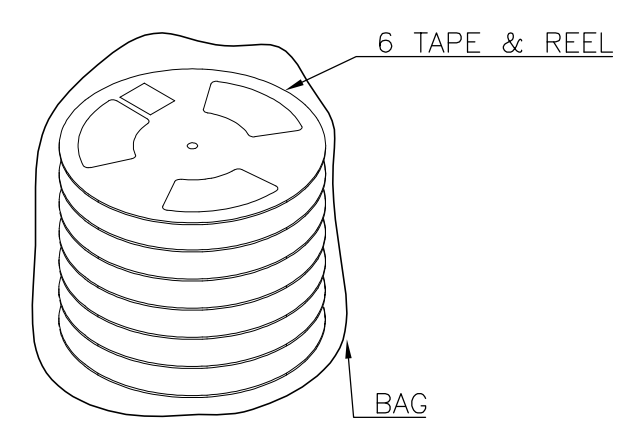
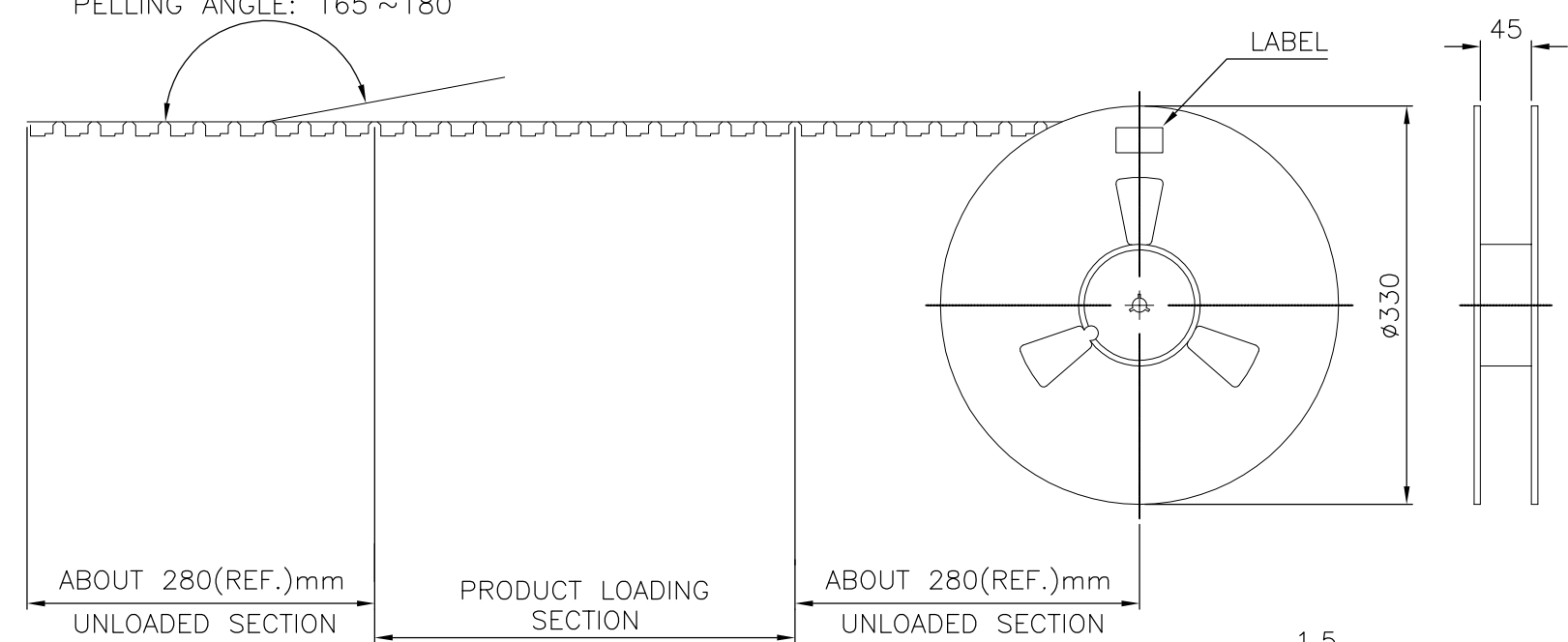
2

1

THIS DRAWING IS UNPUBLISHED. RELEASED FOR PUBLICATION  
 © COPYRIGHT BY TYCO ELECTRONICS CORPORATION. ALL RIGHTS RESERVED.

LOC	DIST	REVISIONS				
P	LTR	DESCRIPTION	DATE	DWN	APVD	
DW	-	SEE SHEET 1.				

PELLING ANGLE: 165°~180°



GROSS WEIGHT (REF.)	NET WEIGHT (REF.)	PCS/REEL	REELS/BOX	QUANTITY
5.5 Kg	3.5 Kg	200	6	1200 PCS

THIS DRAWING IS A CONTROLLED DOCUMENT.		DWN		TE Connectivity NAME MODULAR JACK, RJ45, SINGLE, SHIELD, REVERSE, DIP TYPE	
DIMENSIONS: MM		CHK			
TOLERANCES UNLESS OTHERWISE SPECIFIED:		APVD			
0 PLC ± - 1 PLC ± - 2 PLC ± - 3 PLC ± - 4 PLC ± - ANGLES ± -		PRODUCT SPEC			
MATERIAL		FINISH		APPLICATION SPEC	
		WEIGHT		SIZE	
		CUSTOMER DRAWING		CAGE CODE	
				DRAWING NO	
				RESTRICTED TO	
				A3 00779 C=1734819	
				SCALE	
				SHEET	
				6 OF 6	
				REV	
				A5	