

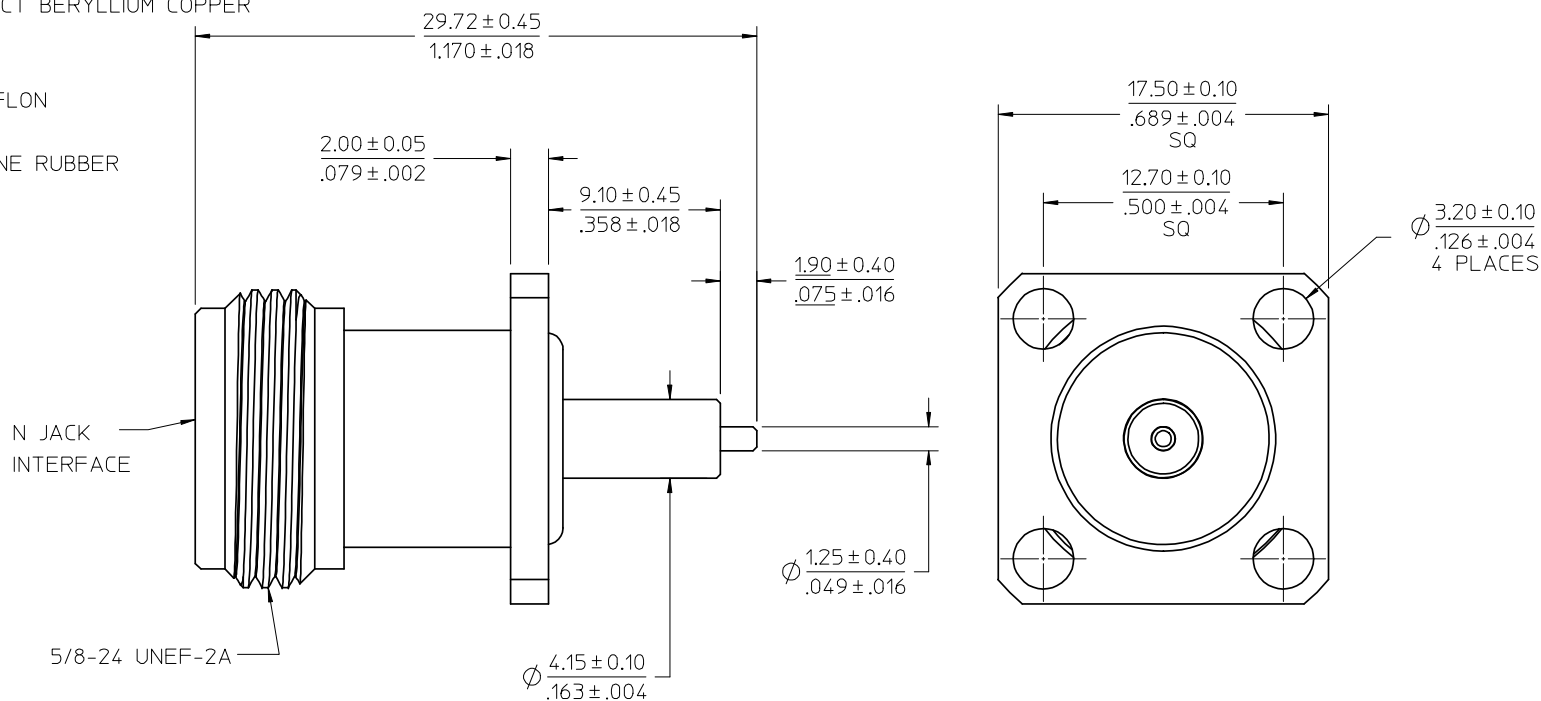
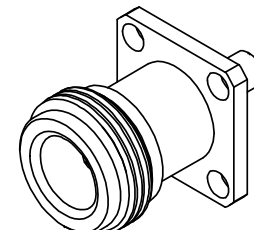
MATERIALS AND FINISHES

BODY, BUSHING BRASS
PLATED NICKEL

CENTER CONTACT BERYLLIUM COPPER
PLATED GOLD

INSULATOR TEFLON

GASKET SILICONE RUBBER



ES-73599-0000	INTERFACE
SPECIFICATION	DESCRIPTION

73276-1350	73100-0030, ONE PER BAG
73100-0030	PACKAGING BY TRAY
PART NO.	PACKAGING

CHG 73100-0030 PACKAGING BY TRAY WAS INDIVIDUAL	EC NO: URF2008-0394	2008/02/13
	DRWNSCHOU	2008/02/15
A2	CHKD:	2008/02/18
	APPR: MHUANG	2008/02/18

QUALITY SYMBOLS	DESCRIPTION
▼=0	
▽=0	

GENERAL TOLERANCES (UNLESS SPECIFIED)	
mm	INCH
4 PLACES ± .---	± .---
3 PLACES ± .---	± .---
2 PLACES ± .---	± .---
1 PLACE ± .---	± .---
ANGULAR ± 2 °	
DRAFT WHERE APPLICABLE MUST REMAIN WITHIN DIMENSIONS	

DIMENSION STYLE	
MM/IN	
DRAWN BY	DATE
IRIS WANG	1992/12/14
CHECKED BY	DATE
APPROVED BY	DATE
KHW	1992/12/21
MATERIAL NO.	DOCUMENT NO.
SEE TABLE	SD-73100-0030

SCALE	DESIGN UNITS	THIRD ANGLE PROJECTION
	METRIC	
TITLE		
N JACK, 4H FLG, W/O RING		
50 OHMS		
N-J/FLG		
MOLEX INCORPORATED		SHEET NO.
		1 OF 1
THIS DRAWING CONTAINS INFORMATION THAT IS PROPRIETARY TO MOLEX INCORPORATED AND SHOULD NOT BE USED WITHOUT WRITTEN PERMISSION		