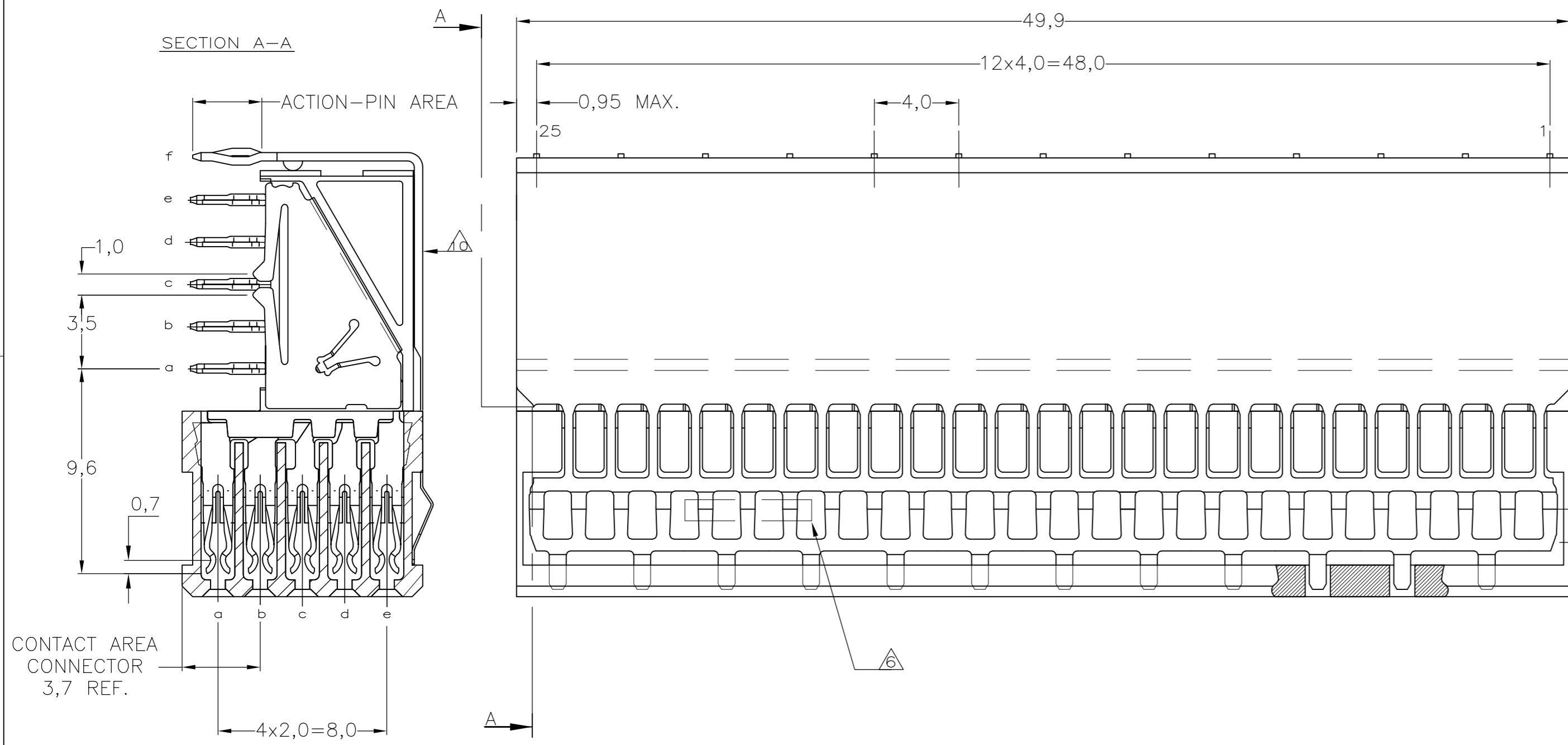
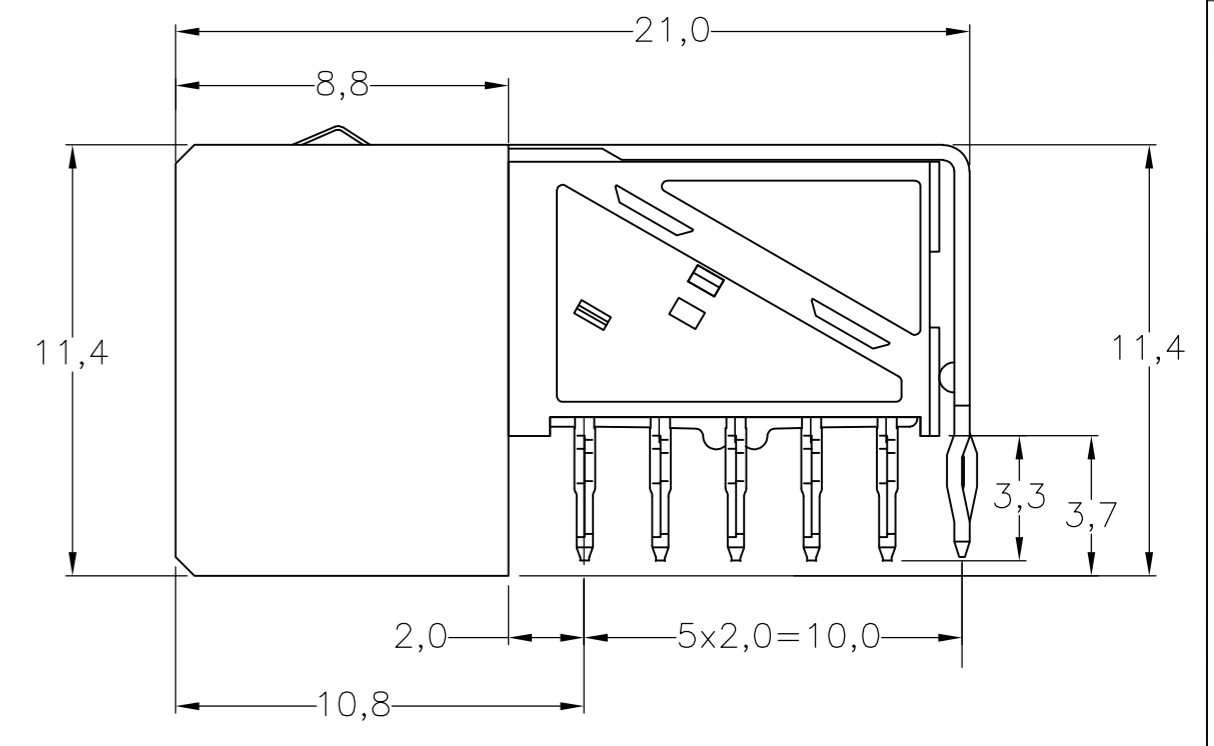
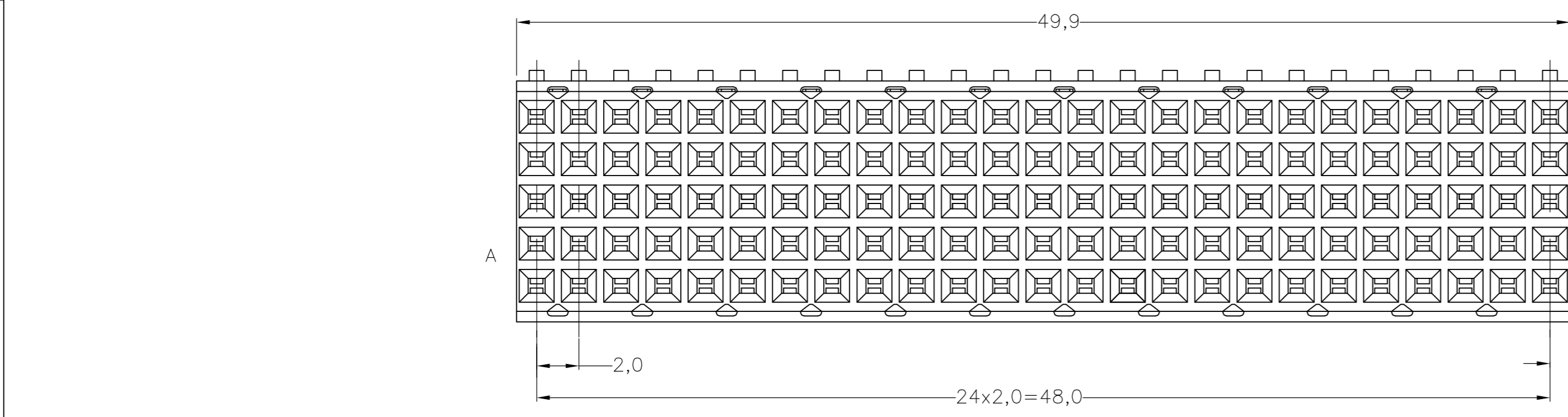


THIS DRAWING IS UNPUBLISHED. RELEASED FOR PUBLICATION  
 © COPYRIGHT BY TYCO ELECTRONICS CORPORATION. ALL RIGHTS RESERVED.

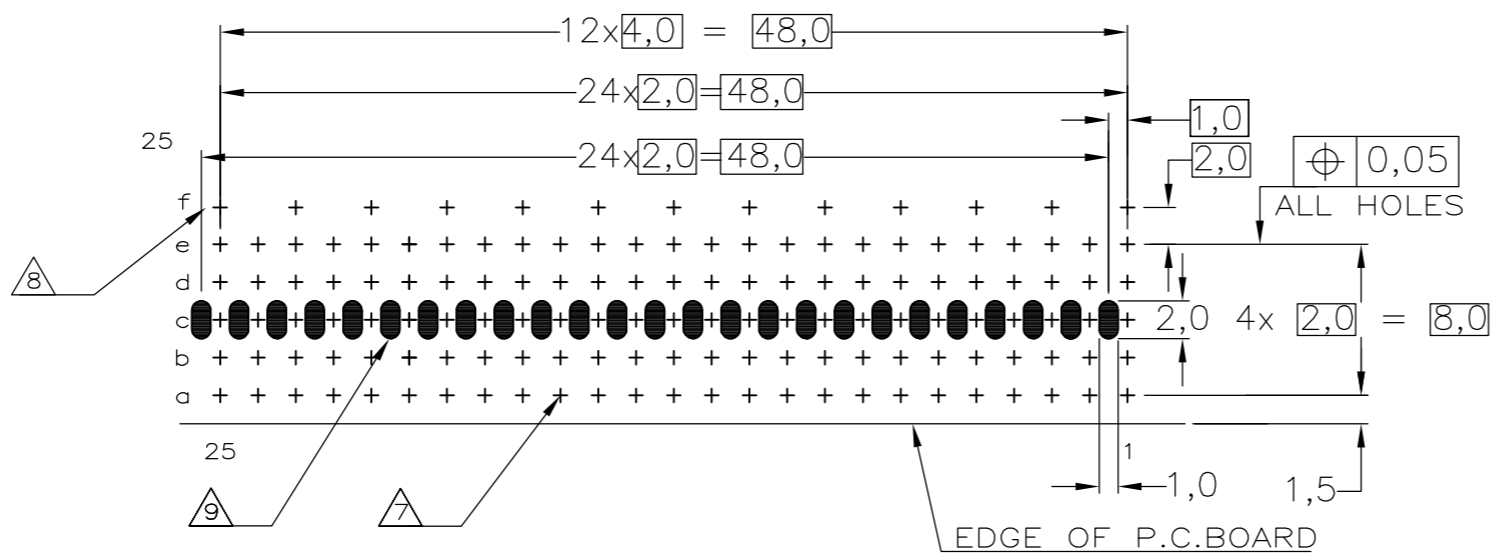
LOC	DIST	REVISIONS					
		P	LTR	DESCRIPTION	DATE	DWN	APVD
H	-	G1		ECR-07-030919	21DEC2007	JvH	BM
		H		ECR-10-018652	10SEP10	SW	MQW



- NOTES:
- ⚠ MATERIAL CONTACTS; PHOSPHORBRONZE  
MATERIAL SHIELDS ; PHOSPHORBRONZE  
MATERIAL HOUSING; GLASSFILLED POLYESTER (GRAY)
  - ⚠ GENERAL CONTACT PLATING SPECIFICATION: UNDERPLATING  
(ENTIRE CONTACT): 1,27µm NICKEL MIN. AND ACTION  
PIN: 0,5µm TIN-LEAD MIN.  
FOR PLATING OF MATING SURFACES SEE APPLICABLE SPECIFICATION  
REFERENCE FOR EACH DASH NUMBER.
  - ⚠ CONFORMS TO ALL TESTING ACCORDING IEC 61076-4-101  
PERFORMANCE LEVEL 2.
  - ⚠ CONFORMS TO ALL TESTING ACCORDING IEC 61076-4-101  
PERFORMANCE LEVEL 1.
  - ⚠ PLATING SHIELDS :  
GROUND RETURN SHIELD:  
CONTACT AREA: 0,76µm Au MIN.  
ACTION PIN : 0,5µm SnPb MIN.  
REMAINDER : Ni
  - ⚠ REDUCED CROSS-TALK SHIELD: GOLD FLASH OVER 1,27 µm  
NICKEL MIN.
  - ⚠ ASSEMBLY PRINTED WITH P/N AND DATECODE  
THE MARKING CAN APPEAR  
ON THE FRONT SIDE OR ON THE BACK SIDE.
  - ⚠ HOLE PATTERN FOR FEMALE CONNECTOR TYPE B,  
125 PLATED-THROUGH HOLES AT 2x2mm SQUARE GRID
  - ⚠ ROW "f" 13 PLATED THROUGH HOLES FOR UPERSHIELD
  - ⚠ PLATED SPOT ONLY ON COMPONENT SIDE, FORMING ONE  
CONTACT WITH PLATED THROUGH HOLES OF ROW C
  - ⚠ SHIELD MOUNTED ON CONNECTOR WITH DOUBLE SIDED  
ADHESIVE TAPE OR ADHESIVE
  - 11 BASIC P.N. LOWERSHIELD:338110



RECOMMENDED P.C.B. HOLE LAY-OUT  
 COMPONENT SIDE AS SHOWN SCALE 2,5:1



P.C.B. HOLE DIM. ACTION PIN  
 FOR DETAILS SEE  
 APPLICATION SPECIFICATION

THIS DRAWING IS A CONTROLLED DOCUMENT.		DWN R.v.Heuven 25FEB98	Tyco Electronics Corporation 's-Hertogenbosch, Nederland	
DIMENSIONS: mm		CHK W. V.D. HEIJDEN 25FEB98	Tyco Electronics	
TOLERANCES UNLESS OTHERWISE SPECIFIED: ±0.2		APVD F.v KONINGSBRUGGE 23NOV99	NAME -	
MATERIAL -		PRODUCT SPEC 108-19082	TYPE B PRE-SHIELDED RECEPTACLE WITH RED.CROSS-TALK SHIELDS	
		APPLICATION SPEC 114-19029	SIZE A2	RESTRICTED TO -
		WEIGHT -	CAGE CODE 00779	DRAWING NO C=352345
		CUSTOMER DRAWING	SCALE NTS	SHEET 1 OF 1