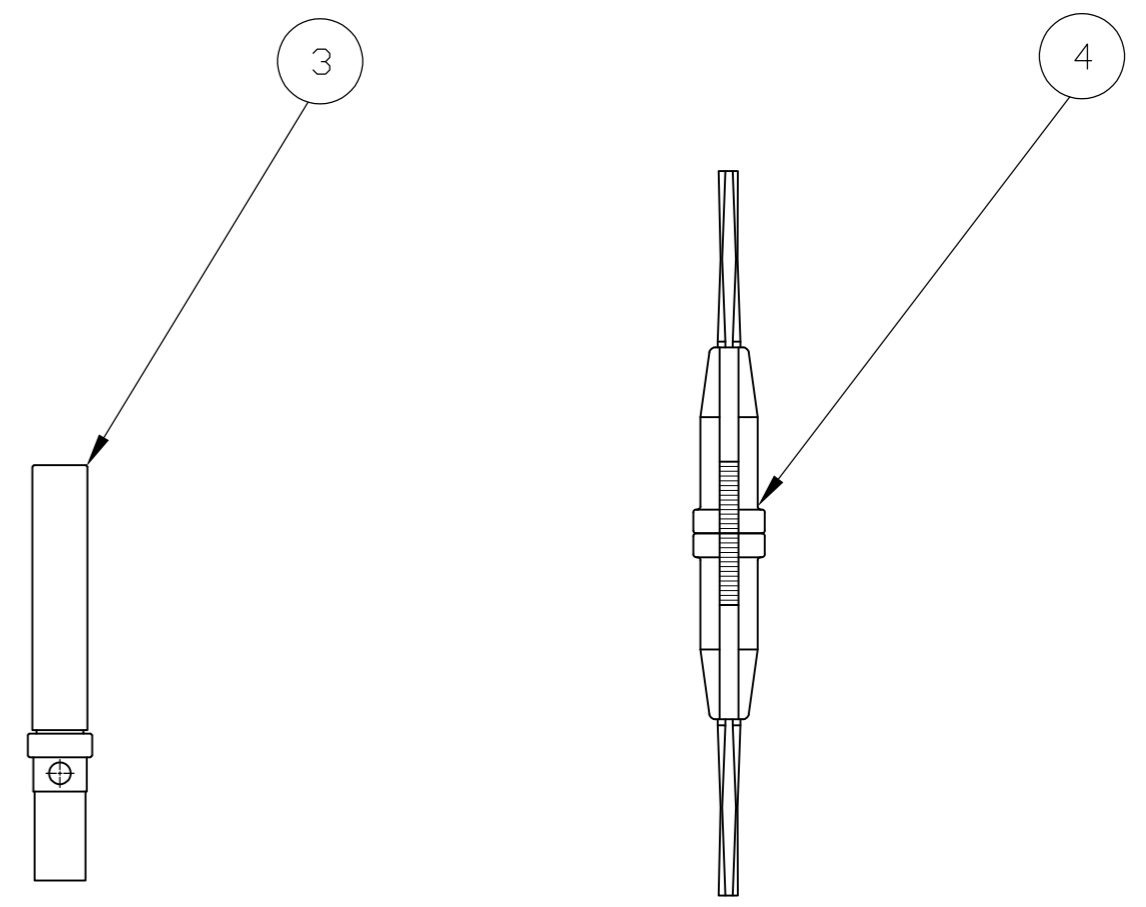
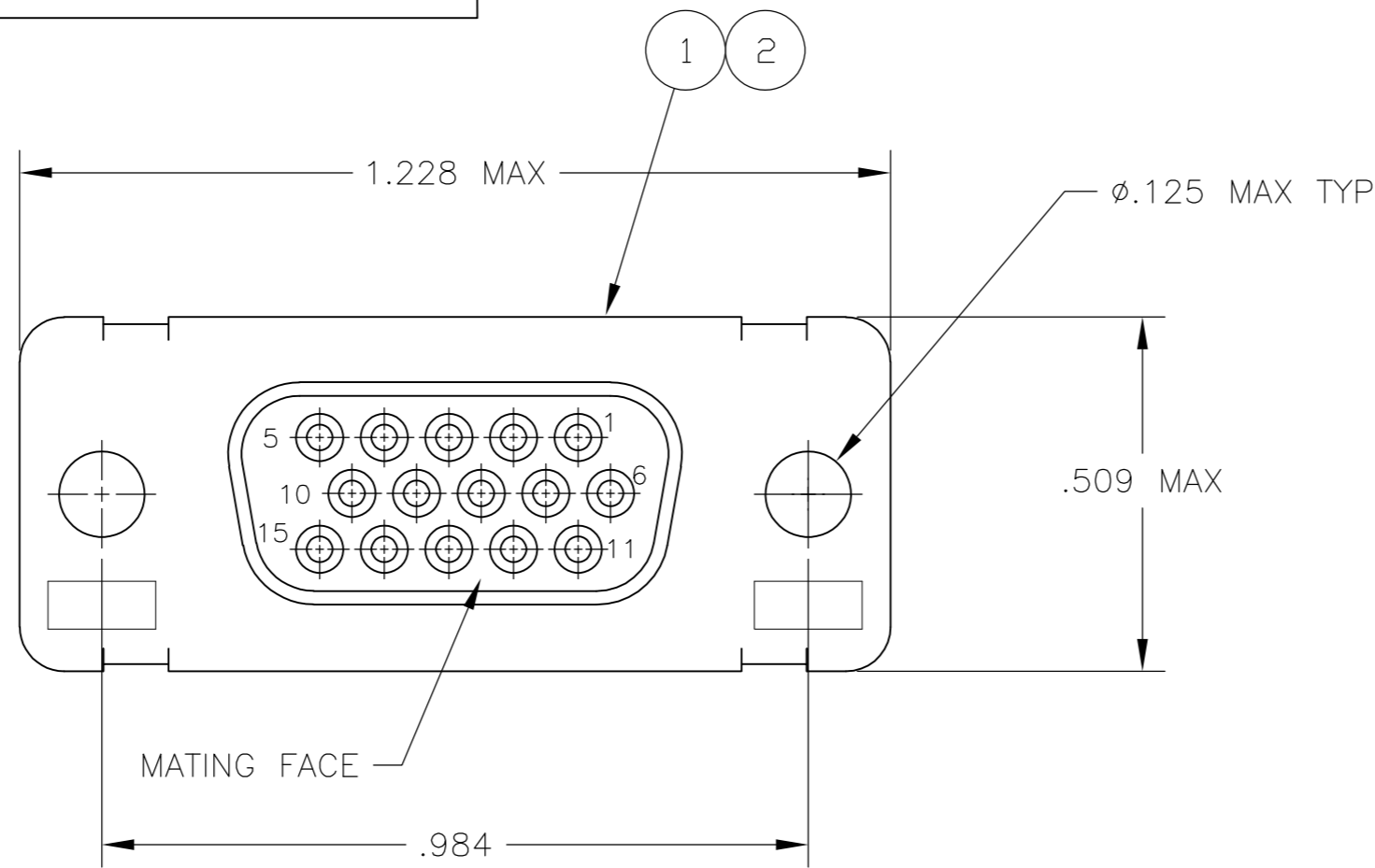
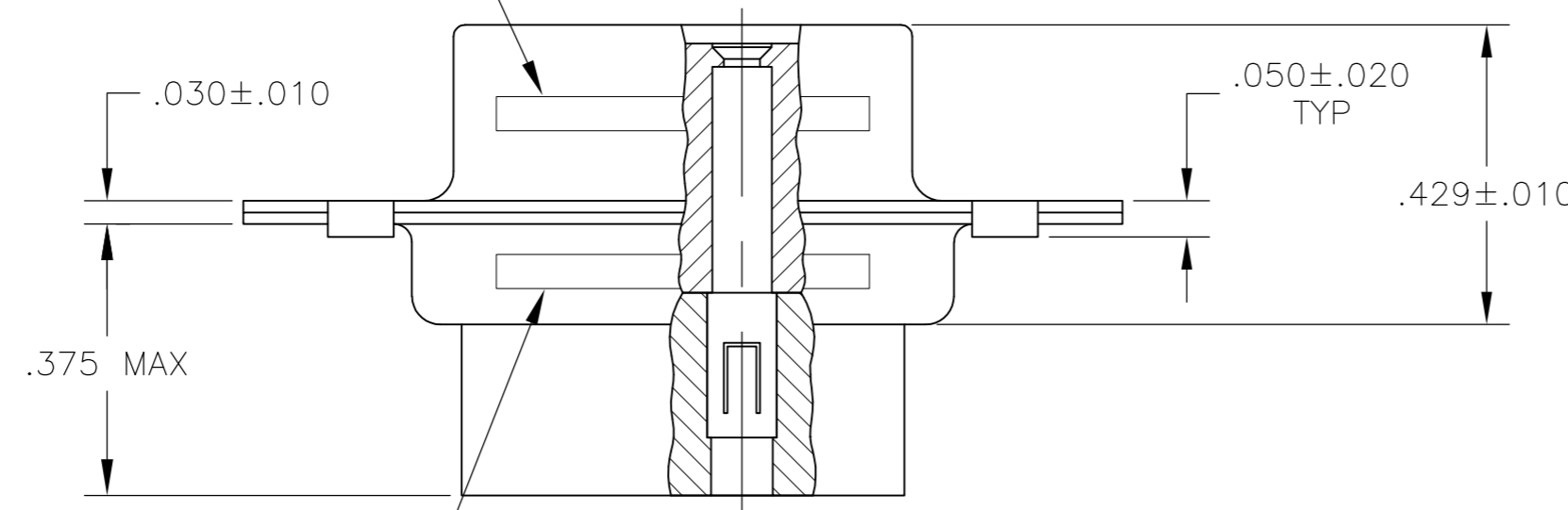


THIS DRAWING IS UNPUBLISHED. RELEASED FOR PUBLICATION
 © COPYRIGHT - By - ALL RIGHTS RESERVED.

| LOC | DIST | REVISIONS | | | | | |
|-----|------|-----------|-----|---------------------------|---------|-----|------|
| DF | D5 | P | LTR | DESCRIPTION | DATE | DWN | APVD |
| | | G1 | | REVISED PER ECO-11-005030 | 11MAR11 | RK | HMR |



MARK TE & DATE CODE
 PER 115-10002-2
 NEAR SIDE



MARK MILITARY PART NO.
 FAR SIDE PER 115-10002-2
 MARK TE PART NO, NEAR SIDE
 SEE TABLE

| | | | | | | | | |
|--|--|------------------------------|---------------------------------------|-----------------------------------|-----------------------------------|-----------------------------------|----------|-------------|
| | OBSOLETE | M24308/6-17F | M24308/6-11F | 91067-1 | 204351-1 | 204500-2 | - | 204512-6 |
| | SUPERSEDED BY 206497-4 & (15) 206071-1 | M24308/6-11F | M24308/6-11F | - | 204351-1 | 204500-2 | - | 204512-5 |
| | SUPERSEDED BY 206497-4 & 91067-1 | - | M24308/6-11F | 91067-1 | - | 204500-2 | - | 204512-4 |
| | | M24308/2-17F | M24308/2-11F | 91067-1 | 204351-1 | - | 204500-1 | 204512-3 |
| | | M24308/2-11F | M24308/2-11F | - | 204351-1 | - | 204500-1 | 204512-2 |
| | | - | M24308/2-11F | 91067-1 | - | - | 204500-1 | 204512-1 |
| | MILITARY P/N ON PACKAGE | MILITARY P/N ON CONNECTOR | (4) INSERT/EXTRACT TOOL QTY = 1 | (3) SOCKET CONTACT QTY = 15 | (2) RECEPTACLE ASSY QTY = 1 | (1) RECEPTACLE ASSY QTY = 1 | | PART NUMBER |

THIS DRAWING IS A CONTROLLED DOCUMENT.

| | | | |
|-----------------------|---|-----------------------------|---|
| DIMENSIONS: INCHES | TOLERANCES UNLESS OTHERWISE SPECIFIED: | DWN P. YEAGER 15DEC08 | TE Connectivity AMPLIMITE KIT, HDD SERIES RECEPTACLE, SIZE 1, 15 POSITION |
| | 0 PLC ± - | CHK R. LEASE 16DEC08 | |
| | 1 PLC ± - | APVD R. LEASE 16DEC08 | |
| | 2 PLC ± - | PRODUCT SPEC | |
| MATERIAL SEE TABLE | FINISH SEE TABLE | APPLICATION SPEC | RESTRICTED TO |

SCALE 4:1 SHEET 1 OF 1 REV G1