

1. 製品名称／PRODUCT NAME : 3.5 WIRE TO BOARD CONN. WAFER ASS'Y ST.

製品番号／PART NUMBER : 5 3 2 5 8 - * * 2 0

5 3 2 5 8 - * * 2 9

5 3 2 5 8 - * * 4 9

5 3 2 5 8 - * * 5 1

5 3 2 5 8 - 3 0 * *

(* * は極数を示す)

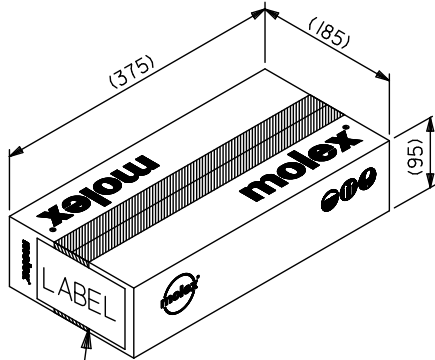
(* * IS CIRCUITS SIZE)

2. 標準梱包数／STANDARD PACKAGING QUANTITY

極 数 CKT. SIZE	プラスチックトレイ(8列) PLASTIC TRAY (8 ROWS)	内装カートン PRIMARY CARTON		外装カートン SHIPPING CARTON
	1トレイ製品数 QTY. IN ONE TRAY	トレイ枚数 NUMBER OF TRAYS	製品数 QUANTITY	製品数(内装カートン×4) QUANTITY (PRIMARY CARTON X4)
2	200	7	1,400	5,600
3	160	5	800	3,200
4	120	5	600	2,400
5	100	7	700	2,800
6	90	5	450	1,800
7	80	5	400	1,600
8	80	5	400	1,600
9	70	5	350	1,400
10	50	7	350	1,400
11	50	7	350	1,400
12	50	7	350	1,400
13	40	5	200	800
14	40	5	200	800
15	40	5	200	800

REV.	H																							
SHEET	1~2																							
REVISE ON PC ONLY										TITLE:														
H REVISED J2013-0799 2013/01/21 T.NAKAGAWA										5 3 2 5 8 梱包仕様書 SALES PACKAGING SPEC. FOR 53258														
										THIS DOCUMENT CONTAINS INFORMATION THAT IS PROPRIETARY TO MOLEX INC. AND SHOULD NOT BE USED WITHOUT WRITTEN PERMISSION														
REV.	DESCRIPTION																							
DESIGN CONTROL J					STATUS					WRITTEN BY: T.NAKAGAWA			CHECKED BY: T.HARUYAMA			APPROVED BY: H.HIRATA			DATE: YR/MO/DAY 2013/01/21					
DOCUMENT NUMBER SPK-53258-001															FILE NAME SPK53258001.doc					SHEET 1 OF 2				

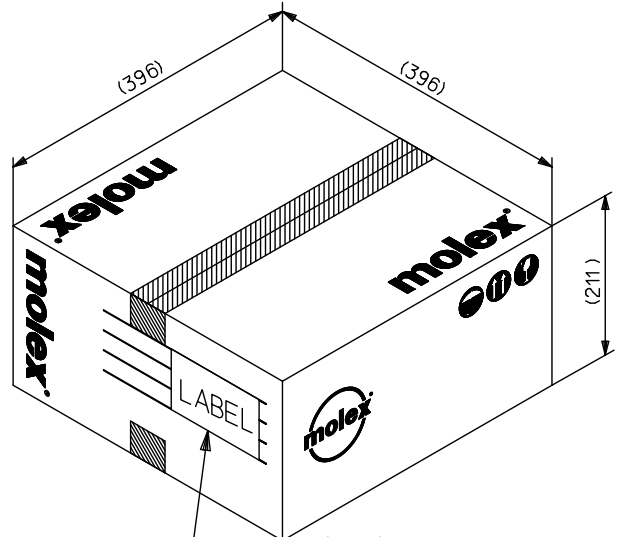
3. カートン外形参考寸法 / CARTON OUTER DIMENSIONS (REFERENCE PURPOSE ONLY)



現品票
PART IDENTIFICATION LABEL

(製品型番, 数量, ロットNO. 表示)
INDICATION OF PART No., QUANTITY, LOT No.

内装カートン
PRIMARY CARTON



カートンラベル
CARTON LABEL

(製品型番, 数量, ロットNO. 表示)
INDICATION OF PART No., QUANTITY, LOT No.

外装カートン
SHIPPING CARTON

REVISE ON PC ONLY		TITLE: 5 3 2 5 8 梱包仕様書 SALES PACKAGING SPEC. FOR 53258
H	SEE SHEET 1 OF 2	
REV.	DESCRIPTION	THIS DOCUMENT CONTAINS INFORMATION THAT IS PROPRIETARY TO MOLEX INC. AND SHOULD NOT BE USED WITHOUT WRITTEN PERMISSION
DOCUMENT NUMBER SPK-53258-001		FILE NAME SPK53258001.doc
		SHEET 2 OF 2