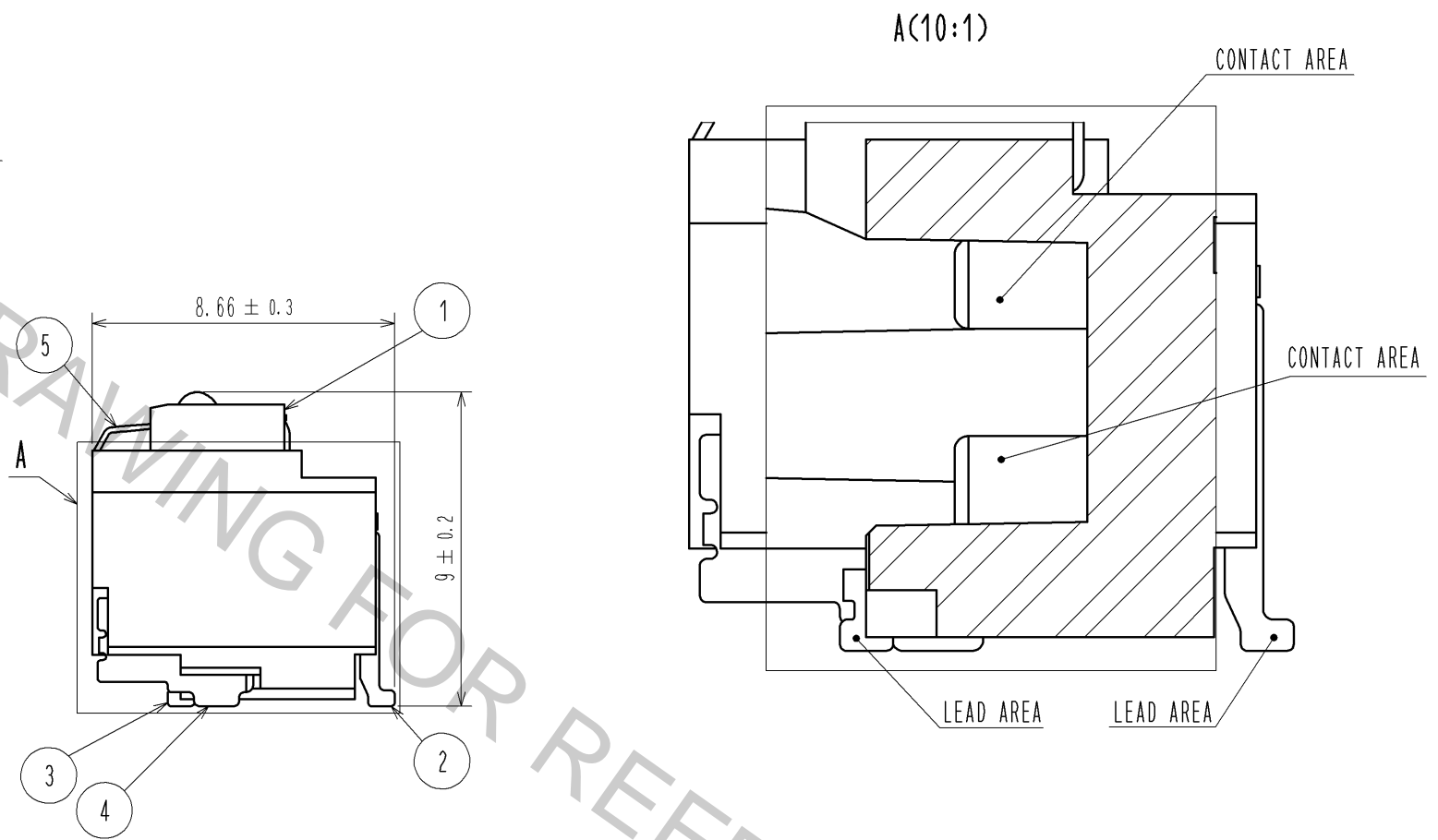
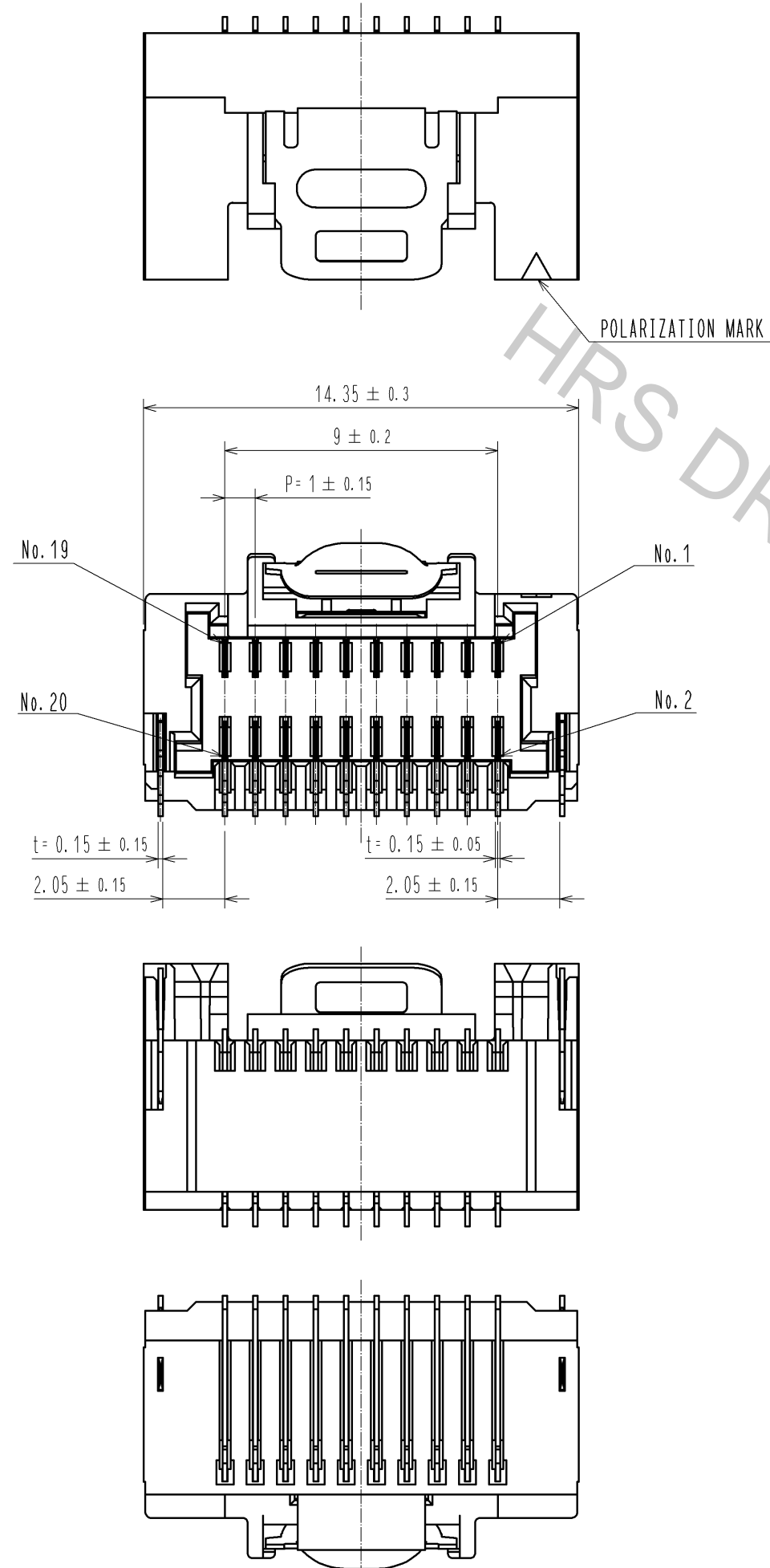


Apr.1.2017 Copyright 2017 HIROSE ELECTRIC CO., LTD. All Rights Reserved.

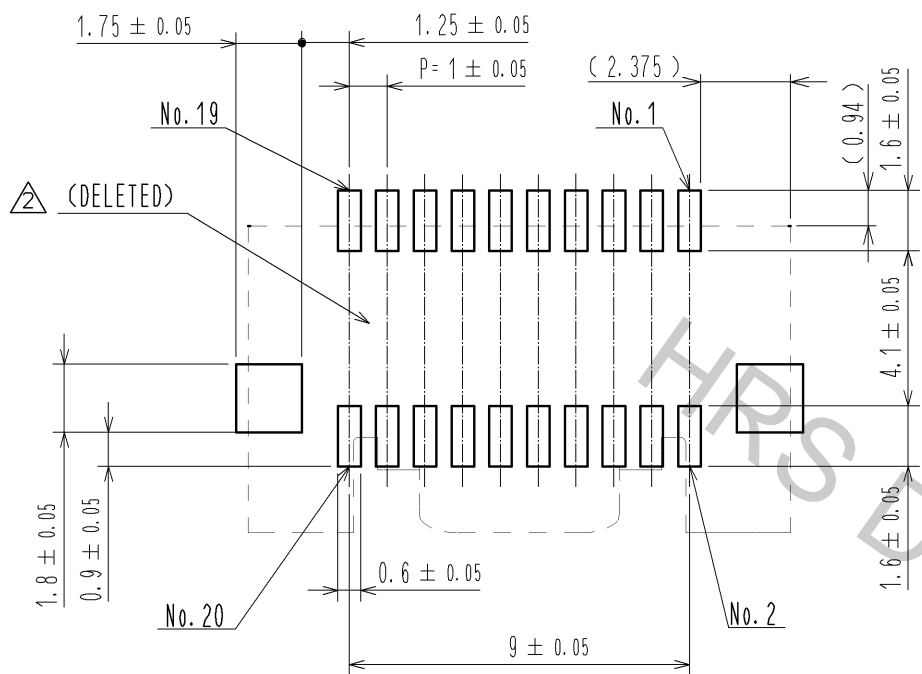


NOTE 1. LEAD CO-PLANARITY SHALL BE 0.1mm MAX
 (DELETED)
 TRACES OR THE CONDUCTIVE TRACES MUST BE COVERED BY RESIST FILM.
 3. PLEASE CONSULT HIROSE WHEN THE PRODUCT IS MONUTED TO FPC.

| 3 | BRASS | CONTACT AREA : Au PLATING 0.05 μm MIN LEAD AREA : Au PLATING 0.05 μm MIN UNDER PLATING : Ni PLATING 1 μm MIN | 8 | PS | REEL, BLACK |
|--------------------------------------|----------|--|------------|--|---|
| 2 | BRASS | CONTACT AREA : Au PLATING 0.05 μm MIN LEAD AREA : Au PLATING 0.05 μm MIN UNDER PLATING : Ni PLATING 1 μm MIN | 7 | POLYESTER | CLEAR |
| 1 | LCP | BLACK, UL94V-0 | 6 | PS | CLEAR |
| | | | 5 | STAINLESS STEEL | — |
| | | | 4 | BRASS | CONTACT AREA : Sn PLATING 1 μm MIN UNDER PLATING : Ni PLATING 0.5 μm MIN |
| NO. | MATERIAL | FINISH, REMARKS | NO. | MATERIAL | FINISH, REMARKS |
| UNITS mm | | SCALE 5 : 1 | COUNT 2 | DESCRIPTION OF REVISIONS DIS-H-008701 | |
| DESIGNED MI. SAKIMURA | | CHECKED TS. KUMAZAWA | | DATE 14. 04. 22 | |
| APPROVED : KI. AKIYAMA 11. 12. 26 | | DRAWING NO. EDC3-332132-01 | | | |
| CHECED : OM. MIYAMOTO 11. 12. 26 | | PART NO. DF50-20DP-1H(51) | | | |
| DESIGNED : TT. OHSAKO 11. 12. 01 | | CODE NO. CL665-0016-5-51 | | | |
| DRAWN : TT. OHSAKO 11. 12. 01 | | | | | |

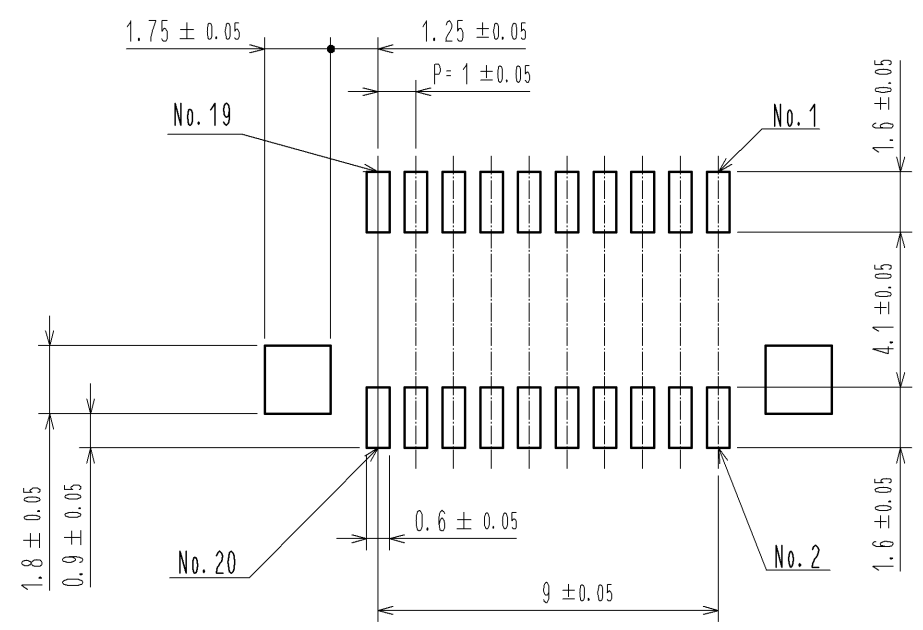
Apr.1.2017 Copyright 2017 HIROSE ELECTRIC CO., LTD. All Rights Reserved.

RECOMMENDED PCB LAYOUT
(MOUNTING SURFACE SIDE) (FREE)

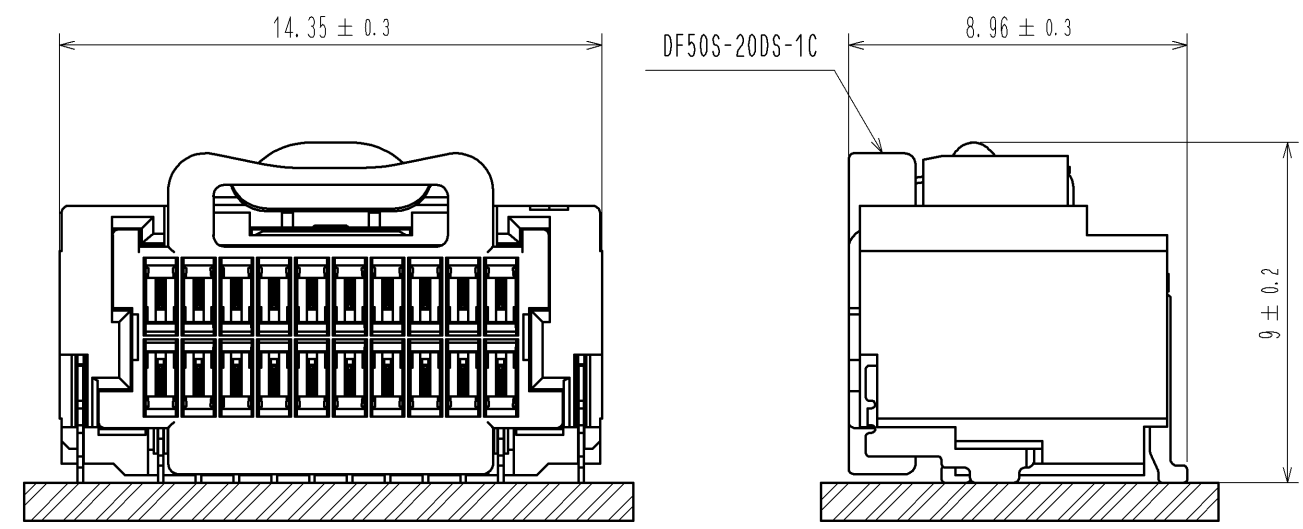


RECOMMENDED METAL MASK (FREE)

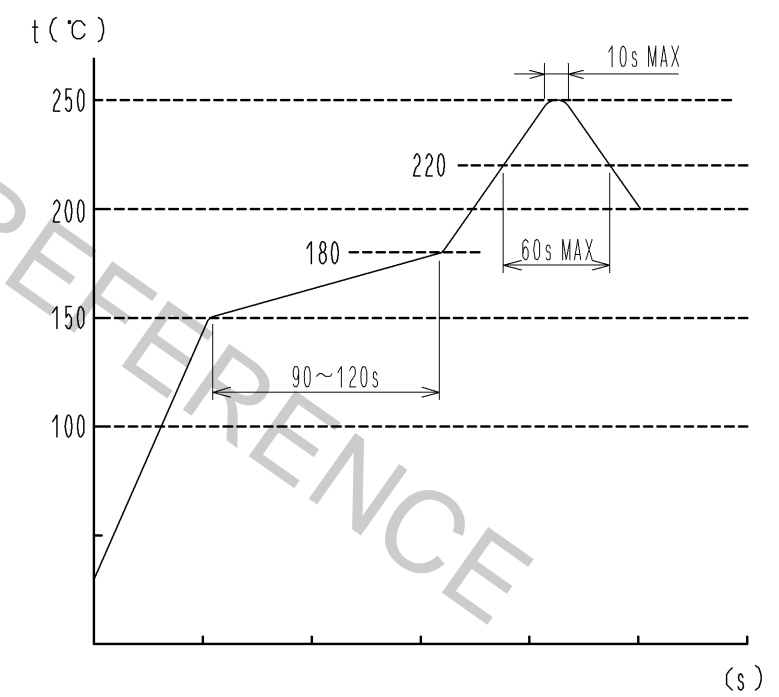
THICKNESS : 0.1mm
OPEN AREA RATIO:100%



MATING FIGURE (5 : 1)



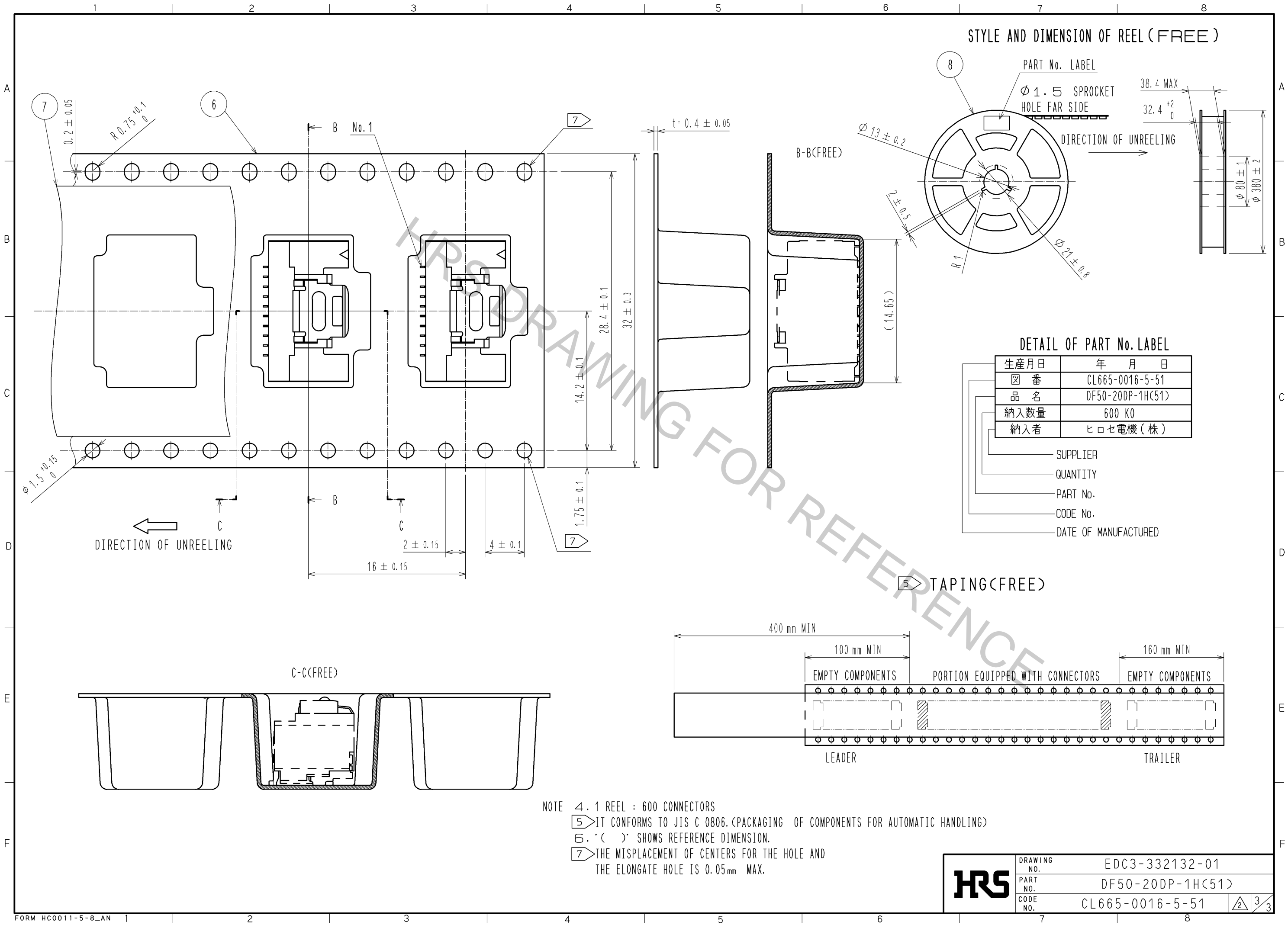
REFLOW TEMPERATURE PROFILE USING LEAD-FREE SOLDER PASTE (REFERENCE)



NUMBER OF REFLOW CYCLES: 2 CYCLES MAX.
THE TEMPERATURE OF THIS PROFILE IS MEASURED ON THE LEAD TERMINAL.

WE RECOMMEND PERFORMING AN EVALUATION UNDER THE MOUNTING CONDITIONS YOU WILL BE USING BECAUSE IT COULD BE AFFECTED BY ANY CONDITION:TYPE OF SOLDER PASTE, SIZE OF PCB, MOUNTING MATERIAL etc..

| | | |
|------------|-------------|------------------|
| HRS | DRAWING NO. | EDC3-332132-01 |
| | PART NO. | DF50-20DP-1H(51) |
| | CODE NO. | CL665-0016-5-51 |
| | | 2/3 |



| | | |
|------------|-------------|------------------|
| HRS | DRAWING NO. | EDC3-332132-01 |
| | PART NO. | DF50-20DP-1H(51) |
| | CODE NO. | CL665-0016-5-51 |
| | | 3/3 |