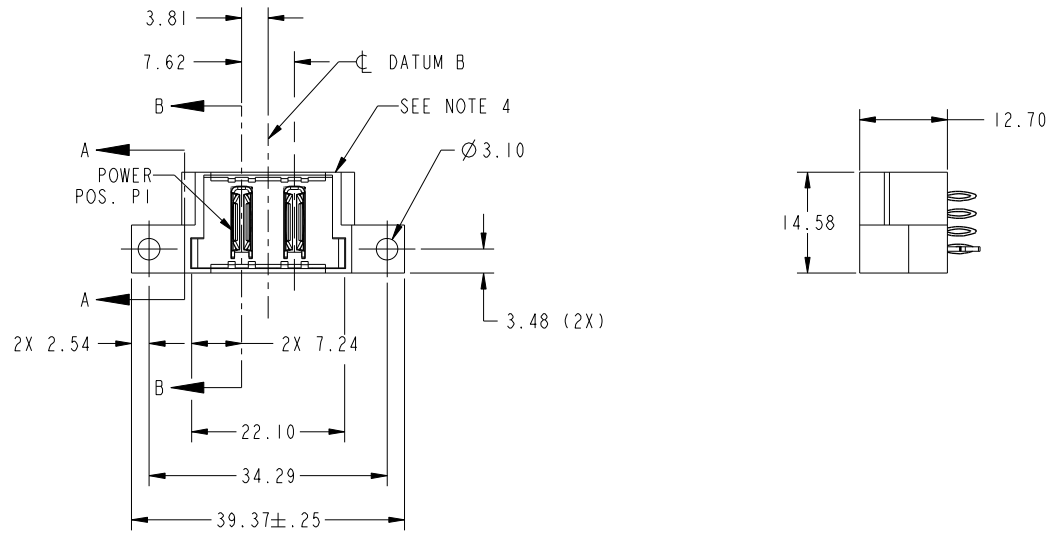


Tous droits strictement reserves. Reproduction ou communication a des tiers interdite sous quelque forme que ce soit sans autorisation écrite du propriétaire. Propriete de c FCI. Droits de reproduction FCI.



All rights strictly reserved. Reproduction or issue to third parties in any form whatever is not permitted without written authority from the proprietor. Property of FCI. Copyright FCI.

PRODUCT NO. 51963-017-- NOTE: 3	POWER			
	E1	P1	P2	E2
	HA	PC	PC	HA



CODE	DIM "M" MATING LENGTH	CONTACT TYPE
PC	[N/A]	POWER
HA	[N/A]	HOLD-DOWN

mat'l code				SEE NOTES		tolerances unless otherwise specified		CUSTOMER		FCI www.fciconnect.com	
ltr	ecn no.	dr	date	linear	0.X ± 0.5		COPY		projection	title	
A	DG06-0428	JMG	10/18/06		0.XX ± 0.25		MIM			2P	
B	DG07-0498	JW	09/12/08		0.XXX ± 0.10		1:1			VERTICAL PRESS-FIT HEADER	
				angles	0° ± 2°		product family		PwrBlade		
				dr	JM GUO	10/18/06	size		code		
				enr	BEER FU	10/18/06	dwg no		213		
				chr	BEER FU	10/18/06	sheet		1 of 4		
				appd	JOSEPH HSIA	10/18/06	A		51963-017		
sheet index	revision sheet	B	B	B	B	B	cage code		22526		
		1	2	3	4						

Pro/E

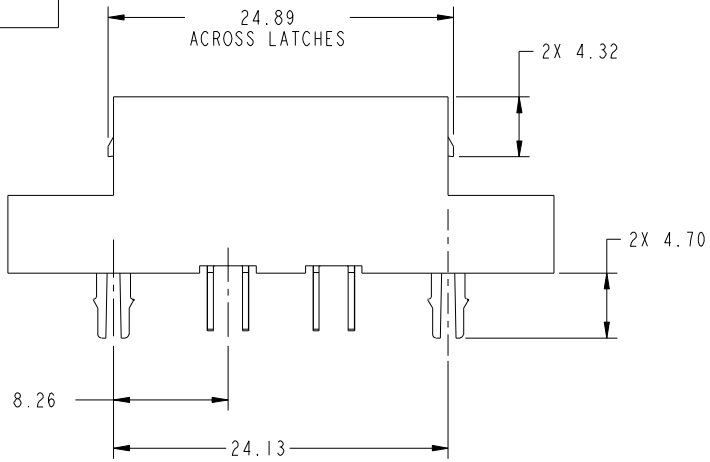
cage code 22526

Tous droits strictement reserves. Reproduction ou communication a des tiers interdite sous quelque forme que ce soit sans autorisation écrite du propriétaire. Propriete de c FCI. Droits de reproduction FCI.

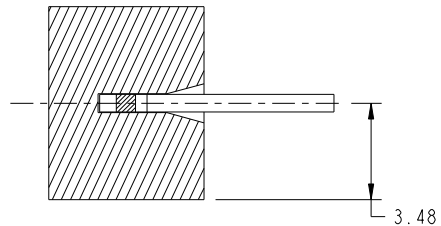


All rights strictly reserved. Reproduction or issue to third parties in any form whatever is not permitted without written authority from the proprietor. Property of FCI. Copyright FCI.

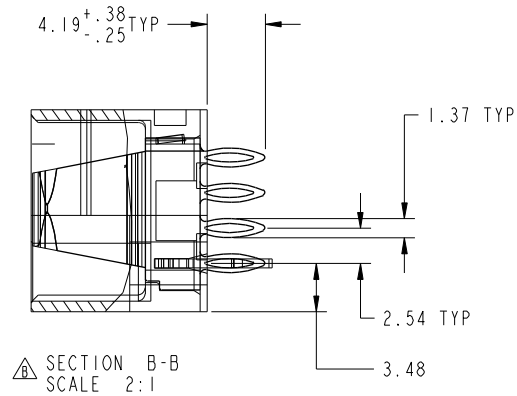
PRODUCT NUMBER
51963-017--
NOTE: 3



SCALE 2:1



SECTION A-A
SCALE 4:1



SECTION B-B
SCALE 2:1

mat'l code		SEE NOTES		tolerances unless otherwise specified		CUSTOMER		 www.fciconnect.com	
ltr	ecn no.	dr	date	linear	0.X ±0.5	projection	title	2P	
B				angles	0.XX ±0.25	 MIM	VERTICAL PRESS-FIT HEADER		code
				dr	0.XXX ±0.10		product family	PwrBlade	213
				enr	0° ±2°	scale	size	dwg no	sheet
				chr	JM GUO 10/18/06	1:1	A	51963-017	2
				appd	BEER FU 10/18/06				
					JOSEPH HSIA 10/18/06				
sheet index	revision sheet								

cage code 22526

Pro/E

Tous droits strictement reserves. Reproduction ou communication a des tiers interdite sous quelque forme que ce soit sans autorisation écrite du propriétaire. Propriete de c FCI. Droits de reproduction FCI.



All rights strictly reserved. Reproduction or issue to third parties in any form whatever is not permitted without written authority from the proprietor. Property of FCI. Copyright FCI.

PRODUCT NUMBER
51963-017--
NOTE: 3

NOTES:

1. DIMENSIONS AND TOLERANCES ARE IN ACCORDANCE WITH ASME Y14.5M, 1994 UNLESS OTHERWISE SPECIFIED.

CONNECTOR NOTES:

2 HOUSING MATERIAL: UL 94 V-0 GLASS FILLED HIGH-TEMP THERMOPLASTIC
POWER CONTACT MATERIAL: COPPER ALLOY
SIGNAL PIN MATERIAL: COPPER ALLOY

3. PLATING
SEE ITEM 3 & 4 IN PRINT 10064183 FOR PLATING SPEC OF 51963-017; 51963-017LF PRESPECTIVELY.

4 MANUFACTURER'S NAME, P/N AND DATE CODE APPEAR ON THIS SURFACE.

5. PACKAGED IN TRAYS.

PCB NOTES:

6. ALL HOLE DIAMETERS ARE FINISHED HOLE SIZE.
7. MOUNTING HOLES, WHERE APPLICABLE, ARE UNPLATED.

8 $\varnothing 1.151 \pm 0.025$ DRILLED HOLES PLATED WITH)
0.008 MIN SnPb OR Sn OVER 0.03
TO 0.08 Cu PLATING TO ACHIEVE
 $\varnothing 1.02 \pm .07$ HOLE.

9 "DIM XXX" TO BE DETERMINED BY THE CUSTOMER.)

10 CONNECTOR KEEP-OUT ZONE.)

11. FOR PRESS FIT APPLICATION USE FCI CAM
TOOL 430169-018.)

12. CUSTOMER SUPPLIES (2) #4-40 UNC SCREWS,
HARDWARE TO MOUNT HEADER TO PC BOARD.

13. A Δ SYMBOL WILL BE NEXT TO ANY DIMENSION,
VIEW, OR NOTE WHICH HAS BEEN MODIFIED
WITH THE CURRENT DRAWING REVISION.

mat'l code				SEE NOTES		tolerances unless otherwise specified		CUSTOMER	
ltr	ecr no.	dr	date	linear	0.X ± 0.5	projection		COPY	
B				angles	0.XX ± 0.25			title	
				dr	0.XXX ± 0.10			2P	
				enr	0° + 2°	scale		VERTICAL PRESS-FIT HEADER	
				chr	JM GUO 10/18/06	1:1		product family PwrBlade code	
				appd	BEER FU 10/18/06	A		size	
					BEER FU 10/18/06			dwg no	
					JOSEPH HSIA 10/18/06			51963-017	
sheet index	revision sheet							sheet	
								4	

cage code 22526

Pro/E

1 | 2

3 |

4