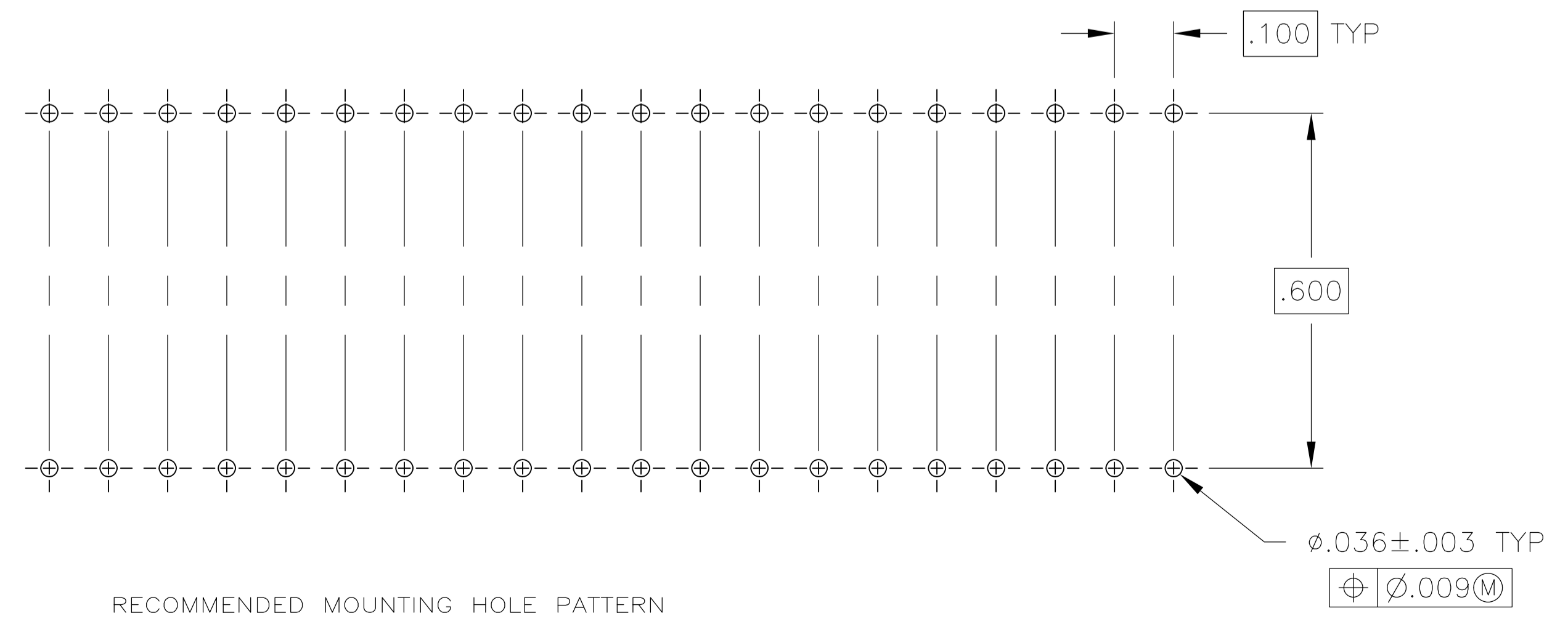
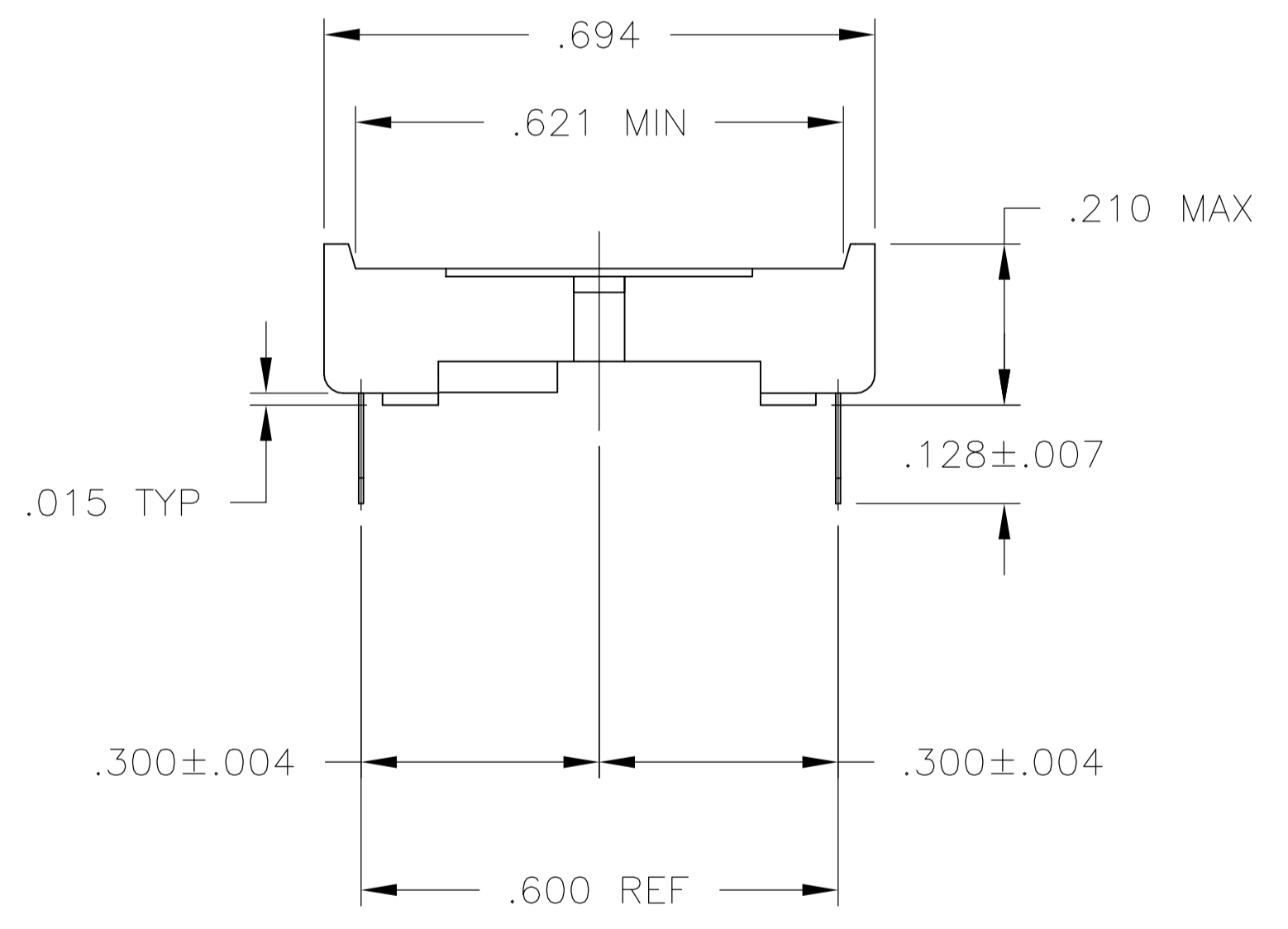
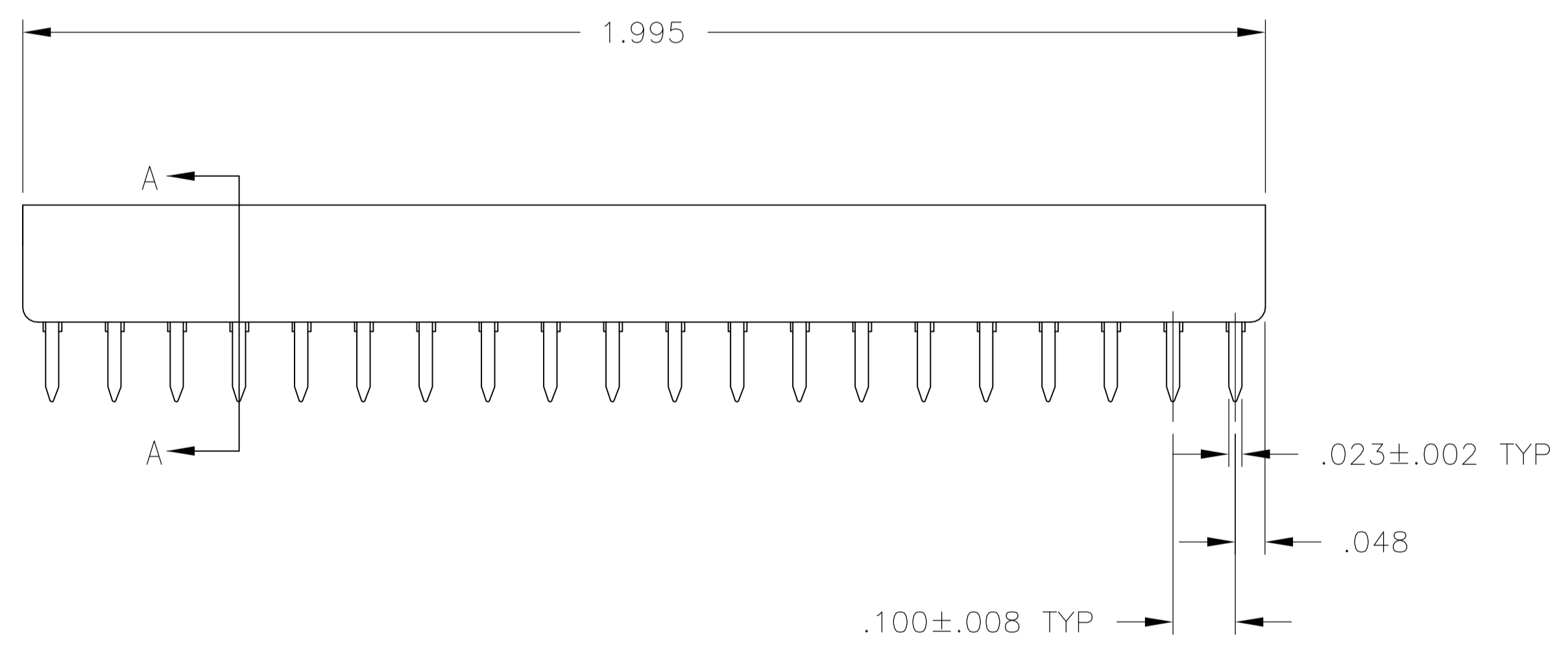
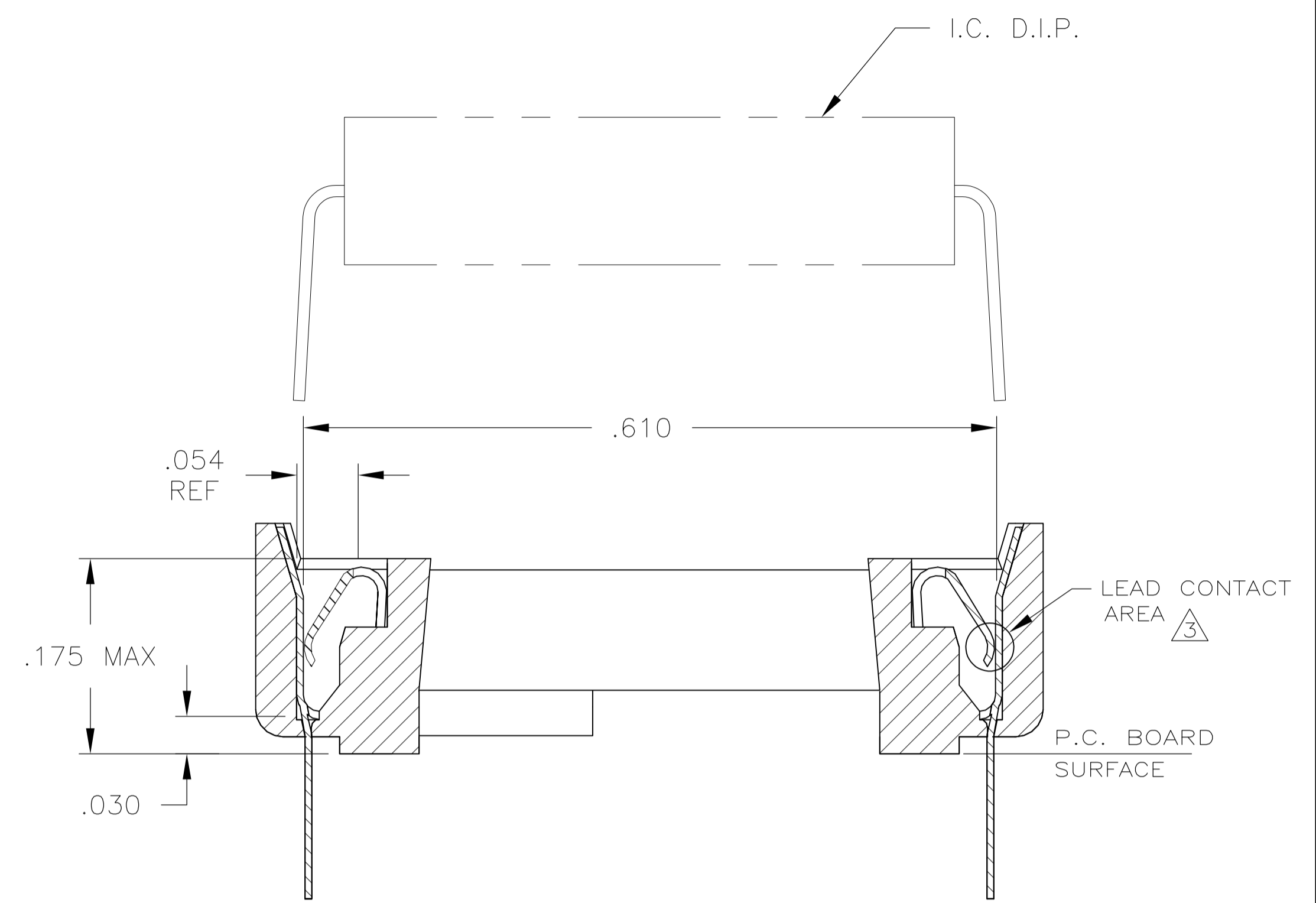
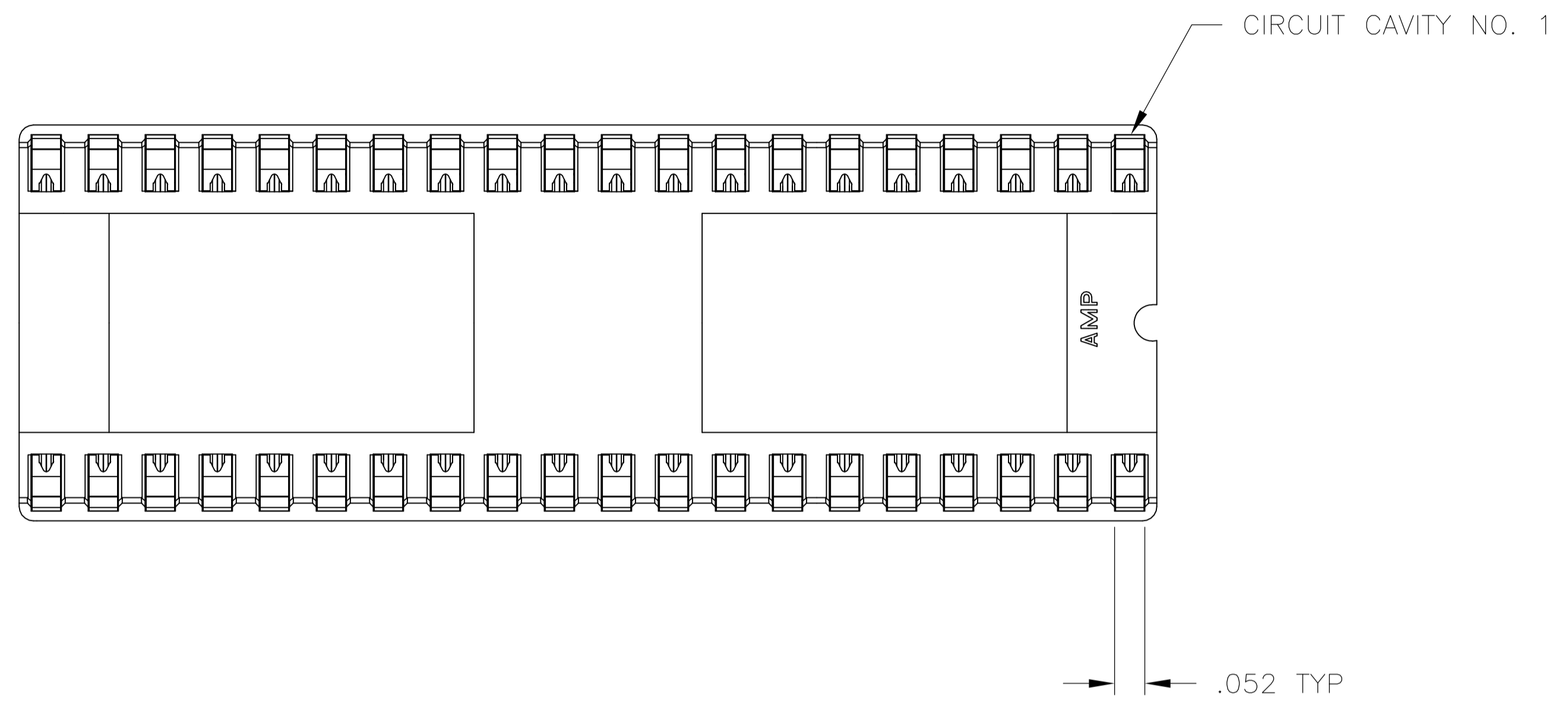


1. RECEPTACLE ACCEPTS A .008-.014 THICK I.C. LEAD.
2. TUBE LOADED.
3. TWO .000015 MIN THK. GOLD STRIPES IN CONTACT AREA WITH TIN-LEAD (93/7) ON SOLDER LEGS, BALANCE OF CONTACT NICKEL PLATED.



OBSOLETE	TINNED	PHOS. BRZ	BLACK THERMO PLASTIC	2-382468-4
		PHOS. BRZ	BROWN GLASS-FILLED PCT	2-382468-3
OBSOLETE	TINNED	BE.CU.	BROWN GLASS-FILLED PCT	2-382468-1
	CONTACT FINISH	CONTACT MAT'L	HOUSING MATERIAL	PART NO.

THIS DRAWING IS A CONTROLLED DOCUMENT.		09JAN01		Tyco Electronics Corporation	
DIMENSIONS:	TOLERANCES UNLESS OTHERWISE SPECIFIED:	DIN	R	BROWN	23AUG00
INCHES		CHK	H	WYNKOOP	23AUG00
		APVD	H	WYNKOOP	23AUG00
		NAME	SOCKET ASSY. DIP, HT, 40 POS, DIPLOMATE™ DL		
		PRODUCT SPEC	108-1066		
		APPLICATION SPEC	114-1052		
MATERIAL	FINISH	WEIGHT	SIZE	CAGE CODE	DRAWING NO
SEE TABLE	SEE TABLE		A1	00779	382468
CUSTOMER DRAWING		SCALE	5:1	SHEET	1 OF 1
		REV	K1		