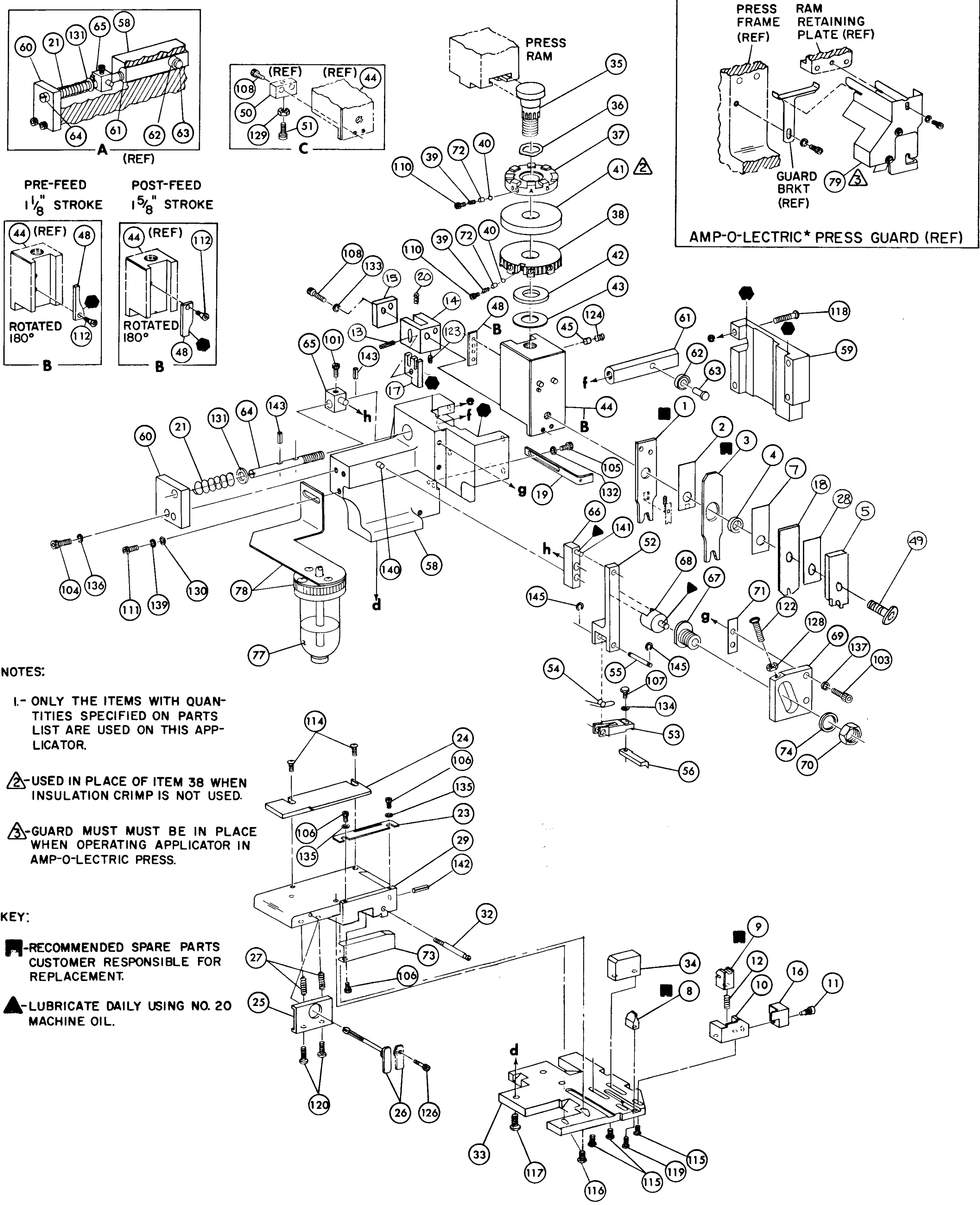


THIS INFORMATION IS CONFIDENTIAL AND IS DISCLOSED TO YOU ON THE CONDITION THAT NO FURTHER DISCLOSURE IS MADE BY YOU TO OTHER THAN AMP PERSONNEL WITHOUT WRITTEN AUTHORIZATION FROM AMP INCORPORATED, HARRISBURG, PA.



- NOTES:**
- I- ONLY THE ITEMS WITH QUANTITIES SPECIFIED ON PARTS LIST ARE USED ON THIS APPLICATOR.
  - ▲-USED IN PLACE OF ITEM 38 WHEN INSULATION CRIMP IS NOT USED.
  - ▲-GUARD MUST BE IN PLACE WHEN OPERATING APPLICATOR IN AMP-O-LECTRIC PRESS.
- KEY:**
- RECOMMENDED SPARE PARTS CUSTOMER RESPONSIBLE FOR REPLACEMENT.
  - ▲-LUBRICATE DAILY USING NO. 20 MACHINE OIL.

QTY	PART NO	DESCRIPTION	ITEM NO
2	21045-3	RING, RETAINING 'C' (.187 DIA) FEED FINGER PIN	145
2	5-21028-1	PIN, SLOT SPR (.125 DIA X .50) ADJ ROD	144
1	4-21028-0	PIN, SLOT SPR (.093 DIA X .75) STR G PLATE	143
1	1-21030-1	PIN, DOWEL (.187 DIA X .50) LEVER	142
1	1-21030-6	PIN, DOWEL (.187 DIA X 1.25) HOUSING	141
—	21024-5	WASHER, LOCK (NO 10) LUB ASSY	140
—	21024-5	WASHER, LOCK (NO 10) STRIP GUIDE ADJ BLOCK	139
2	21024-5	WASHER, LOCK (NO 10) ADJ PLATE	138
2	21024-5	WASHER, LOCK (NO 10) FEED GUIDE ROD	137
3	21057-2	WASHER, LOCK (NO 4) FRONT STRIP GUIDE	136
1	21024-4	WASHER, LOCK (NO 8) FEED FINGER	135
2	21024-4	WASHER, LOCK (NO 8) DEPRESSOR	134
1	21024-4	WASHER, LOCK (NO 8) STRIPPER	133
1	21899-2	WASHER, FLAT (5/16 DIA) SCREW ADJ	132
—	21899-2	WASHER, FLAT (NO 10) LUB ASSY	131
—	21068-5	NUT, HEX MACH (6-32) HOLD DOWN	130
1	21068-5	NUT, HEX MACH (6-32) FEED ADJ	129
—	22353-8	SCR, SHLD. (.187 DIA X .250 LG) DRAG LEVER	128
1	21009-2	SCR, SKT SET (1/4-20 X .25) (LOC-WEL) RAM	127
1	2-21008-1	SCR, SKT SET (4-40 X .25) (LOC-WEL) HOLD DOWN	126
1	3-21064-2	SCR, RD HD MACH (6-32 X 1.50) FEED ADJ	125
2	2-21002-9	SCR, BUT HD SKT CAP (10-32 X .75) DRAG	124
1	22733-8	SCR, BUT HD SKT CAP (8-32 X .38) (LOC-WEL) ANVIL	123
4	2-21002-9	SCR, BUT HD SKT CAP (10-32 X .75) CAP	122
3	2-22733-8	SCR, BUT HD SKT CAP (1/4-20 X .62) HOUSING	121
2	2-21002-7	SCR, BUT HD SKT CAP (10-32 X .50) SG ADJ BLOCK	120
2	2-21002-2	SCR, BUT HD SKT CAP (8-32 X .50) SHEAR	119
3	2-21002-2	SCR, BUT HD SKT CAP (8-32 X .50) R STRIP GUIDE	118
1	2-21003-0	SCR, FLAT HD SKT CAP (6-32 X .50) CAM	117
—	3-21000-4	SCR, SKT HD CAP (10-32 X .38) LUBRICATOR ASSY	116
2	23030-1	SCR, SKT HD CAP (6-32 X .25) (LOC-WEL) CP DISC	115
—	—	SCR, SKT HD CAP (6-32 X .25) REAR SHEAR PLATE	114
2	3-21000-0	SCR, SKT HD CAP (8-32 X .38) DEPRESSOR	113
1	2-22603-0	SCR, HEX HD MACH (8-32 X .31) FEED FINGER	112
3	1-21000-3	SCR, SKT HD CAP (4-40 X .25) F STRIP GUIDE	111
1	2-21000-7	SCR, SKT HD CAP (8-32 X .50) STRIPPER	110
2	3-21000-7	SCR, SKT HD CAP (10-32 X .75) FEED ROD GUIDE	109
2	3-21000-6	SCR, SKT HD CAP (10-32 X .62) FEED ADJ BLOCK	108
—	3-21000-4	SCR, SKT HD CAP (10-32 X .38) SG ADJ BLOCK	107
1	3-21000-4	SCR, SKT HD CAP (10-32 X .38) PIVOT BLOCK	106
REF	455749-1	GUARD WINDOW	105
—	1-465184-0	LUBRICATOR ASSY	104
—	—	OIL, LUBRICATING	103
1	458109-1	WASHER, SPECIAL	102
2	690603-1	PLATE, STRIP GUIDE COVER	101
1	690517-1	SPRING, ASSIST	100
1	22594-8	SPACER	99
1	240628-1	NUT, HEX	98
1	240626-1	PLATE, ADJUSTMENT	97
1	240633-1	SHAFT, PIVOT	96
1	455680-1	BUSHING	95
1	240629-1	LEVER, INTERMEDIATE	94
1	240632-2	BLOCK, PIVOT	93
1	240659-3	SCREW, ADJUSTMENT FEED ROD	92
1	240658-1	PIN, CAM ROLLER	91
1	454398-2	ROLLER, CAM	90
1	454178-1	ROD, FEED	89
1	454178-1	GUIDE, FEED ROD	88
1	454220-1	CAP, HOUSING	87
1	454485-1	HOUSING	86
1	455652-1	PAWL, FEED	85
1	240624-1	PIN, FEED FINGER	84
1	691499-1	SPRING, FEED FINGER	83
1	455851-1	FINGER, FEED	82
1	455679-1	LEVER, TERMINAL FEED ARM	81
1	7-21002-9	BUMPER, HOLD DOWN	80
1	690602-5	SPACER, TONCKER	79
1	690602-5	BOLT, CRIMPER	78
1	690602-5	CAM PRE FEED 1/8 STROKE	77
1	459456-1	APPLICATOR, BASIC (SUB ASSY)	76
1	690191-1	PLUG, NYLON	75
1	455673-1	RAM	74
1	690125-1	WASHER, LAMINATED	73
1	690124-4	WASHER, RAM	72
1	690124-4	DISC, SPACER	71
1	23241-6	BALL, STEEL	70
1	690170-1	SPRING, COMPRESSION	69
1	690142-1	DISC, INSULATION	68
1	1-690141-0	DISC, WIRE	67
1	22480-5	WASHER, SPRING	66
1	690212-1	POST, RAM	65
1	690212-1	SUPPORT, TERMINAL	64
1	458832-1	PLATE, BASE	63
1	690432-3	SCREW, ADJUSTMENT	62
1	461532-1	PLATE, STRIP GUIDE	61
1	455888-7	SPACER, FRONT SHEAR DEPRESSOR	60
1	1-22284-0	SPRING, DRAG	59
1	690546-1	LEVER, DRAG RELEASE	58
1	240792-1	DRAG, STOCK	57
1	458876-1	GUIDE STRIP (REAR)	56
1	458875-1	GUIDE, STRIP (FRONT)	55
1	4-22284-9	SPRING, FEED RETURN	54
2	3-22278-0	SPRING, HOLD DOWN	53
1	691353-1	STRIPPER	52
1	461519-1	HOLDER, TERMINAL (FRONT)	51
1	455054-1	HOLD DOWN TERMINAL (REAR)	50
1	691667-1	GUARD, CHIP (FRONT)	49
1	455053-1	PLATE, RETAINING	48
1	455052-1	HOLDER, HOLD DOWN	47
1	4-21028-0	PIN HOLD DOWN (.094 X .75)	46
1	5-22280-0	SPRING, SHEAR	45
1	690461-1	STOP, SHEAR	44
1	690459-1	HOLDER, SHEAR (FRONT)	43
1	690491-3	SHEAR, FLOAT (FRONT)	42
1	690493-6	ANVIL	41
1	455888-3	SPACER, HOLDER	40
1	1-455889-0	DEPRESSOR, SHEAR (REAR)	39
1	238011-8	DEPRESSOR, SHEAR (FRONT)	38
1	4-683454-2	SPACER, TUBULAR, INS CRIMPER	37
1	1-455888-1	CRIMPER, INSULATION	36
1	456410-1	SPACER, CRIMPER	35
1	456410-1	CRIMPER, WIRE	34

CRIMPING DATA				APPLICATOR WILL APPLY									
PAD LTR	CRIMP HEIGHT	WIRE SIZE	WIRE LENGTH	60794-2									
A	.103	14											
B	.095	16											
C	.092	18											
D	NOT USED												
CRIMP SIZE	TYPE	FEED	APPL INST										
WIRE .130	F	406	A18040										
INSUL .210	0												
WIRE RANGE 18-14	INSULATION RANGE .090-130	PRESS NO 365435-5											
REMARKS AMP-O-LECTRIC PRE FEED													
APPL USED ON MACHINE PART NO		MACH SERIAL NO		DISTRIBUTION									
CUSTOMER NAME		APPL SERIAL NO		ORIGINAL									
ADDRESS		PURCHASE ORDER		CUSTOMER COPY									
CITY		ENG APP		FIELD ENG COPY									
<table border="1"> <tr> <td>REVISION RECORD</td> <td>APP DATE</td> <td>REVISION RECORD</td> <td>APP DATE</td> </tr> <tr> <td></td> <td></td> <td></td> <td></td> </tr> </table>						REVISION RECORD	APP DATE	REVISION RECORD	APP DATE				
REVISION RECORD	APP DATE	REVISION RECORD	APP DATE										
<table border="1"> <tr> <td>REVISION RECORD</td> <td>APP DATE</td> <td>REVISION RECORD</td> <td>APP DATE</td> </tr> <tr> <td></td> <td></td> <td></td> <td></td> </tr> </table>						REVISION RECORD	APP DATE	REVISION RECORD	APP DATE				
REVISION RECORD	APP DATE	REVISION RECORD	APP DATE										
<table border="1"> <tr> <td>REVISION RECORD</td> <td>APP DATE</td> <td>REVISION RECORD</td> <td>APP DATE</td> </tr> <tr> <td></td> <td></td> <td></td> <td></td> </tr> </table>						REVISION RECORD	APP DATE	REVISION RECORD	APP DATE				
REVISION RECORD	APP DATE	REVISION RECORD	APP DATE										

DIST 66

\* Trademark of AMP Incorporated

SET UP PAGE 10-1  
458637-1 37-B  
DR 5-10-70 APP  
R. M. HARRIS  
CHK 1/21/70 REL  
LOC A D NO 687888-6  
REV B

AMP INCORPORATED  
Harrisburg, Pa.

NAME MINIATURE QUICK CHANGE APPLICATOR  
SIDE FEED (FASTON TAB MOD III)