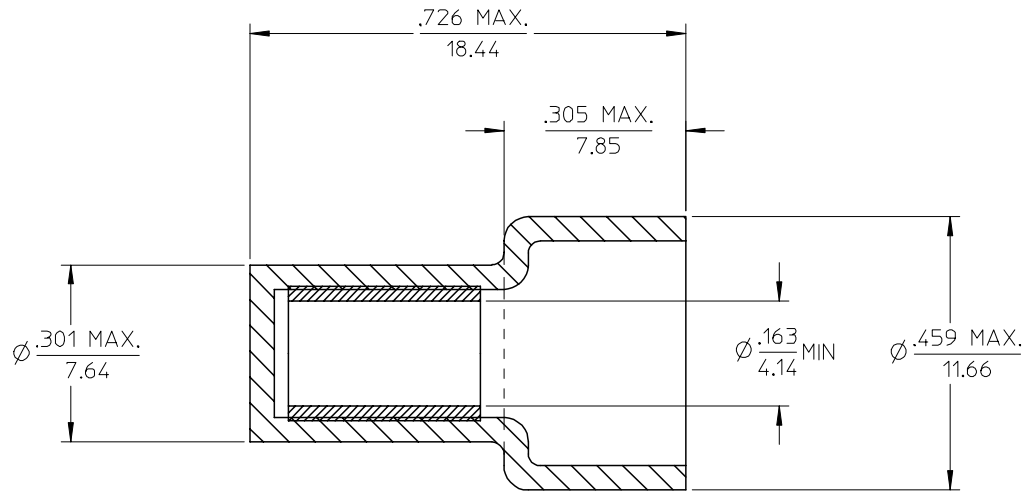
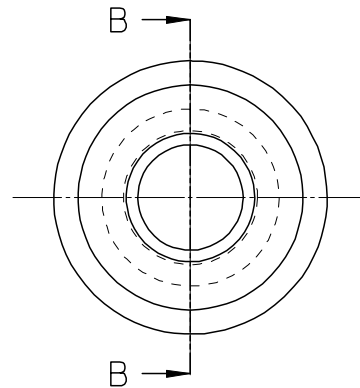


MATERIAL NO.	ENG. NO.	DESCRIPTION
191600190	NC-1810	NC-1810, CLOSED END 18-10 AWG CONNECTOR ASSY.



SECTION B-B



SALES DRAWING

EC NO: ETC2003-0287 DRWN:DMYRICK 2003/05/02 CHKD:HEB 2003/05/05 APPR:RDEROSS 2003/05/05	QUALITY SYMBOLS	GENERAL TOLERANCES (UNLESS SPECIFIED)	SCALE 5:1	DESIGN UNITS INCH	THIRD ANGLE PROJECTION	REVISE ON CAD ONLY
	▽ = 0 ∇ = 0	4 PLACES ± --- ± --- 3 PLACES ± --- ± .005 2 PLACES ± 0.13 ± .01 1 PLACE ± 0.25 ± --- ANGULAR ± 1/2°	DIMENSION STYLE IN/MM		TITLE CLOSED END CONNECTOR ASSEMBLY, 18-10 AWG	
			DRAWN BY DATE DLM 03/04/29		CHECKED BY DATE HEB 03/04/29	
			APPROVED BY DATE RWD 03/04/29		MATERIAL NO. DOCUMENT NO. SHEET NO. (SEE CHART) SD-19160-008 1 OF 1	
1	DESCRIPTION	DRAFT WHERE APPLICABLE MUST REMAIN WITHIN DIMENSIONS	THIS DRAWING CONTAINS INFORMATION THAT IS PROPRIETARY TO MOLEX INCORPORATED AND SHOULD NOT BE USED WITHOUT WRITTEN PERMISSION			