

A B C D E F

| REV. | MODIFICATION. | DATE | DRN |
|------|---------------|----------|-----|
| 01 | SALES PRINT | 28/11/08 | PH |
| 02 | CO 2010610 | 24/03/09 | PH |
| 03 | CO 2010781 | 25/08/09 | MT |

FIGURE 1

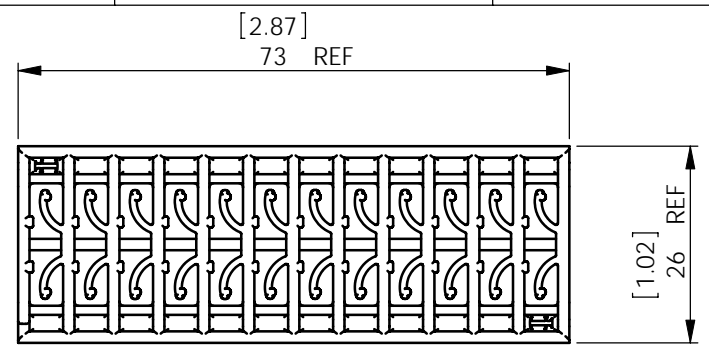


FIGURE 2

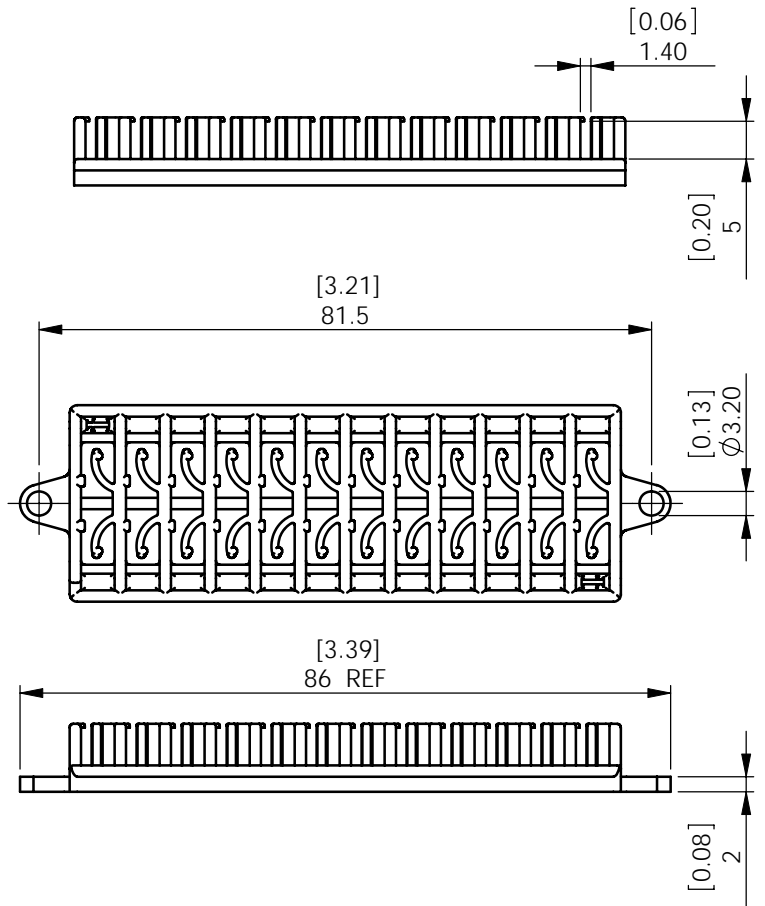


FIGURE 1

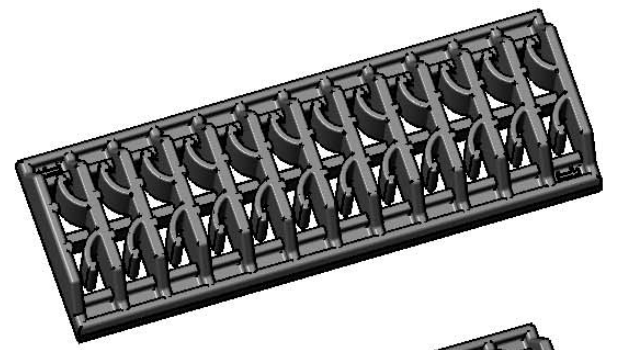
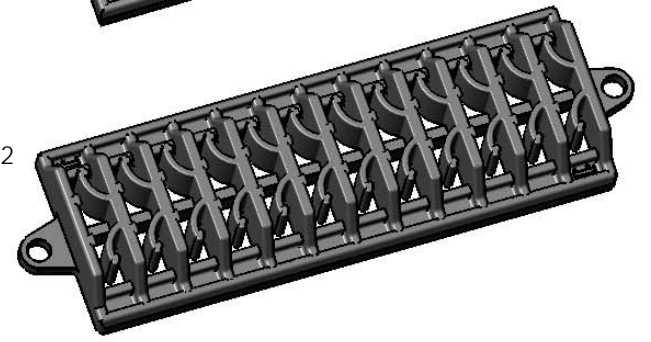


FIGURE 2



ALTERNATE UNITS FOR REFERENCE ONLY

INFORMATION CONTAINED IN THIS DOCUMENT IS CONFIDENTIAL TO RICHCO INTERNATIONAL Co. Ltd. AND MAY NOT BE DISCLOSED OR REPRODUCED IN WHOLE OR PART WITHOUT THEIR WRITTEN CONSENT.

| | | |
|---|---|--------------------|
| RICHCO, INC. WWW.RICHCO-INC.COM | ALL DIMENSIONS IN mm GENERAL TOLERANCES ±0.25 UNLESS OTHERWISE STATED 1 DECIMAL PLACE ± 2 DECIMAL PLACES ± ANGULAR ±1° | THIRD ANGLE |
| | | |

| | |
|--|------------------|
| MATERIAL: NYLON 6/6 UL94 V-0 (RMS-19) | COLOUR: BLACK |
|--|------------------|

| | |
|-------------------------------------|-----------------------|
| DESCRIPTION: MULTI SPLICE HOLDER | PART No: SEE TABLE |
|-------------------------------------|-----------------------|

| | | |
|-------------------|----------------------|------------------|
| DRG No: 08-120 | NPR No: GB08-0021 | SHEET SIZE A4 |
|-------------------|----------------------|------------------|

| | | | | | |
|-----------|------------------|------------|------------------|--------------|---------------------|
| DRN PH | DATE 28/11/08 | CHKD TC | DATE 02/12/08 | SCALE NTS | SHEET No. 1 OF 1 |
|-----------|------------------|------------|------------------|--------------|---------------------|

| PART NUMBER | MOUNTING METHOD | SPLICE PROTECTOR SIZE AFTER HEAT SHRINK | FIGURE |
|-------------|--|---|--------|
| OFSH2-24-1 | 0.8 [.03] THICK ADHESIVE PAD (RMS 375) | UP TO Ø1.6 [.063] | 1 |
| OFSH2-24-2 | NO ADHESIVE | | |
| OFSH2-24-3 | M3 OR #4 SCREW | | 2 |