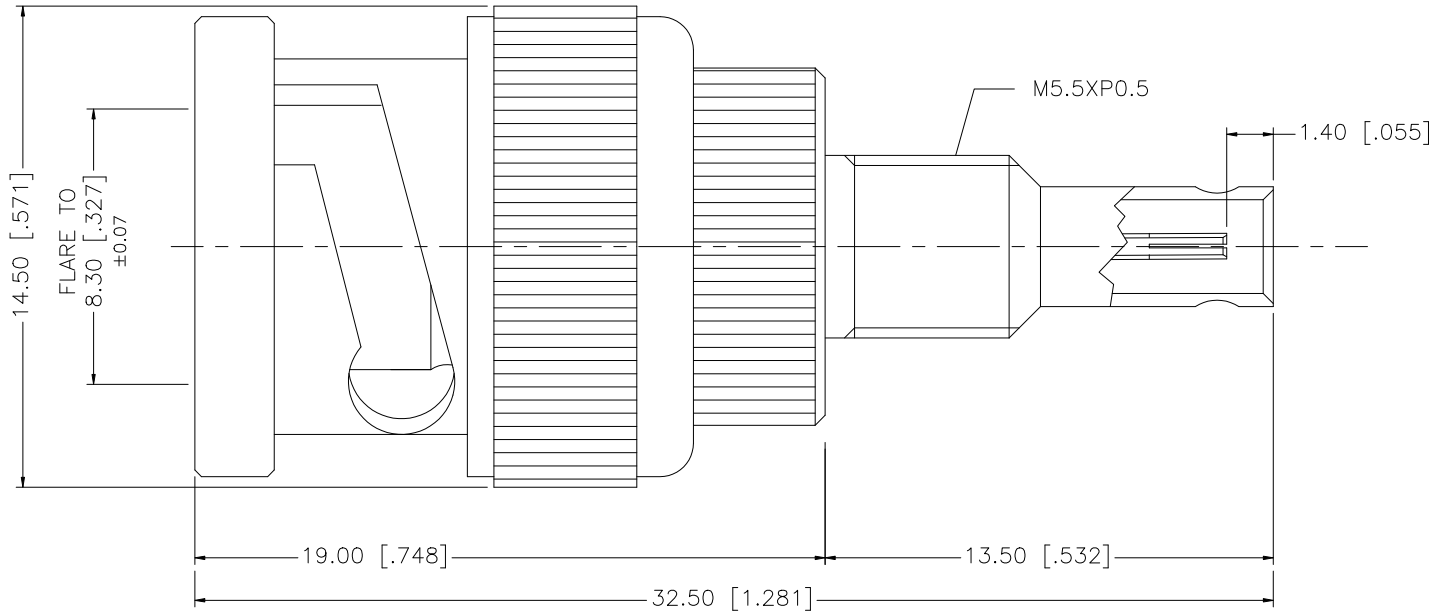


REV.	DATE	DESCRIPTION
NC	07/24/07	INITIAL RELEASE



8					<p>UNLESS OTHERWISE SPECIFIED DIMENSIONS ARE IN MILLIMETERS. DIMENSIONS IN [] ARE IN INCHES AND FOR CUSTOMER REFERENCE ONLY.</p> <p>UNLESS OTHERWISE SPECIFIED TOLERANCES FOR MILLIMETERS ARE: 0.5 - 8mm ± 0.20mm 8 - 30mm ± 0.40mm 30 - 120mm ± 0.50mm</p> <p>UNLESS OTHERWISE SPECIFIED TOLERANCES FOR INCHES ARE: .020 - .315 = ± 0.007" .315 - 1.180 = ± 0.015" 1.180 - 4.724 = ± 0.020"</p>	APPROVALS	DATE	<h1 style="color: blue; text-align: center;">Amphenol Connex</h1>				
7						DRAWN	G.R.S.					07/24/07
6						CHECKED			PART DESCRIPTION <h2 style="text-align: center;">BNC PLUG TO 1.0/2.3 FEMALE ADAPTER</h2>			
5						ISSUED						
4					SHEET	1 OF 1		PART NO. <h2 style="text-align: center;">242231-75</h2>				
3	CONTACT PIN	BER. COPPER	GOLD	1								
2	INSULATOR	TEFLON	NATURAL	1				DWG. NO. 242231-75.DWG				
1	BODY	BRASS	GOLD	1								
	DESCRIPTION	MATERIAL	FINISH	QTY	DO NOT SCALE DRAWING			CAD FILE	C:/242/242231-75.DWG	REV. NC	SIZE A	SCALE NA