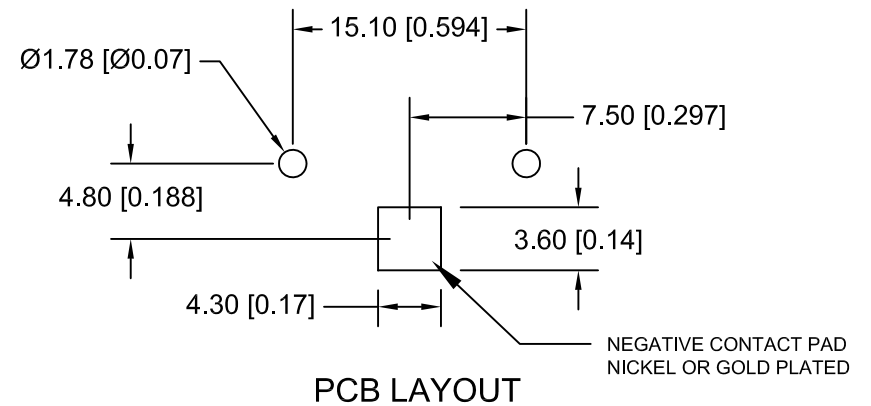
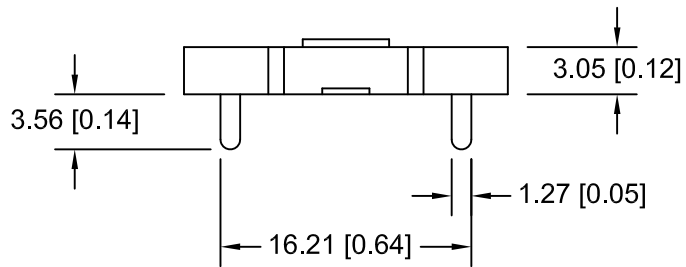
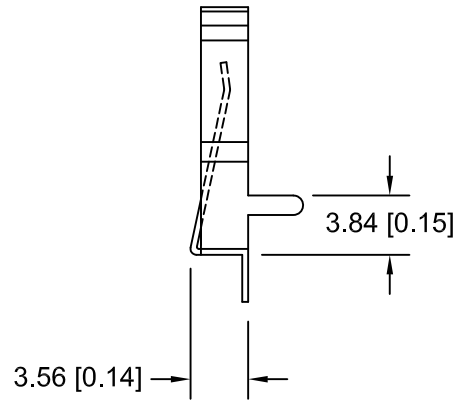
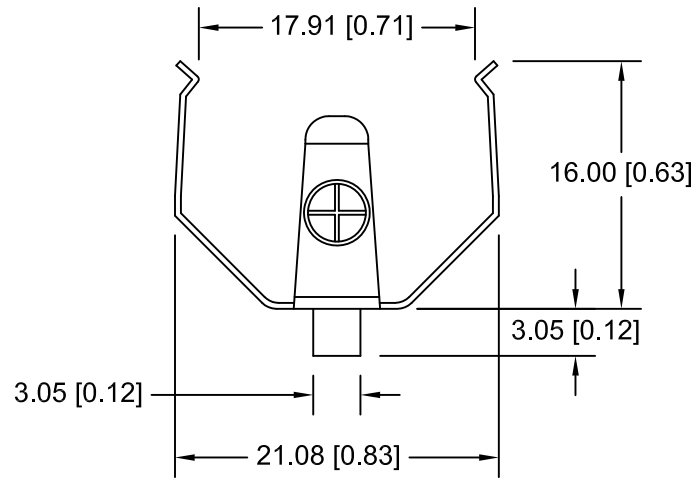



Date	SYM	REVISION RECORD	AUTH	DR.	CK.
10/21/16	A	Added PCB layout Updated Title	T.B.	B.S.	
11/04/16	B	Updated Title, Updated PCB Layout	T.B.	B.S.	
12/02/16	C	Updated removed testing data	T.B.	B.S.	
02/03/17	D	Added Nickel Or Gold Plated for negative pad	T.B.	B.S.	



**NOTES:**

- MATERIAL:  
0.25mm PHOSPHOR BRONZE, NICKEL PLATED OVERALL.  
ROHS 2 COMPLIANT  
TEMPERATURE RANGE: -40°C TO +270°C

Tolerance (Except as noted)	 <b>Memory Protection Devices, Inc</b> 200 Broad Hollow Road, Farmingdale, New York 11735		
	decimal ±.1 (.004)	Scale	Drawn By B.S. Approved By T.B.
Fractional ± .2 (.008)	Title BR/CR 2032 BATTERY RETAINER		
Angular ± 1°	Date 02/03/17	Drawing Number BK-915	