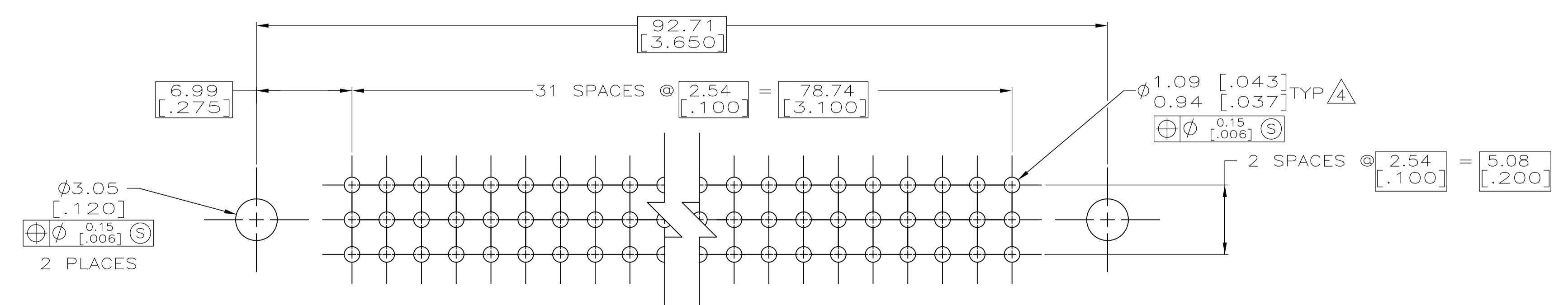
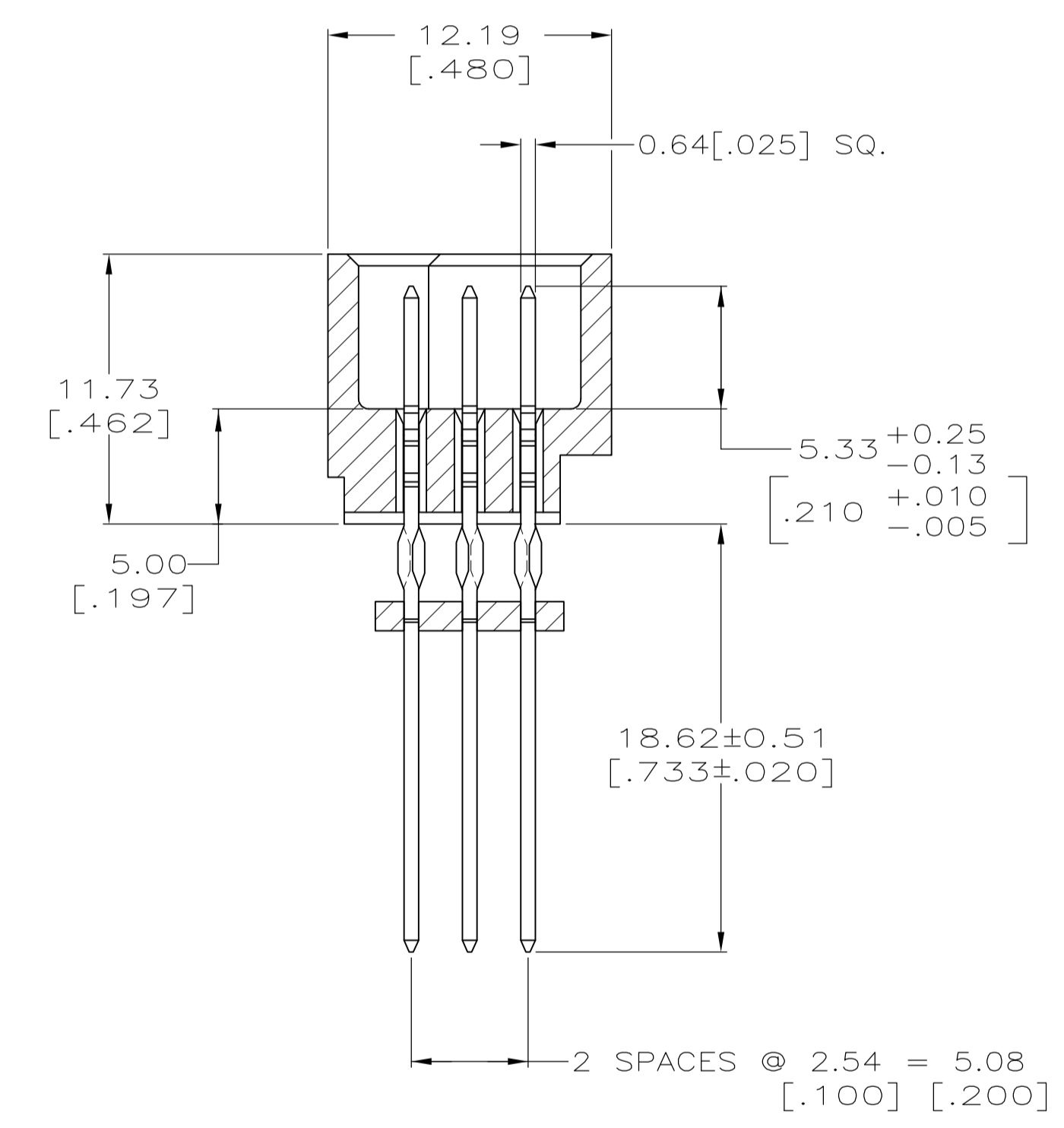
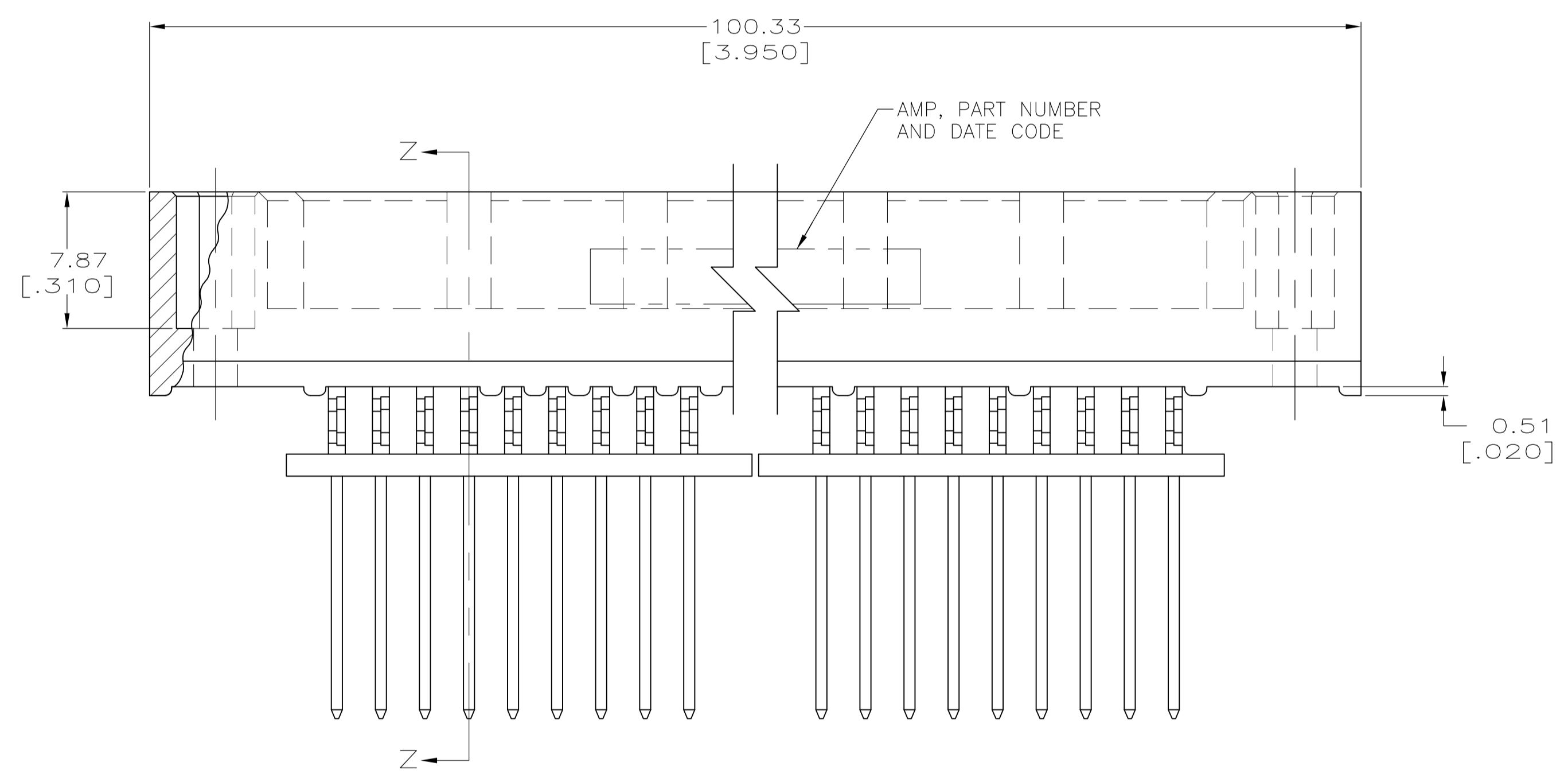
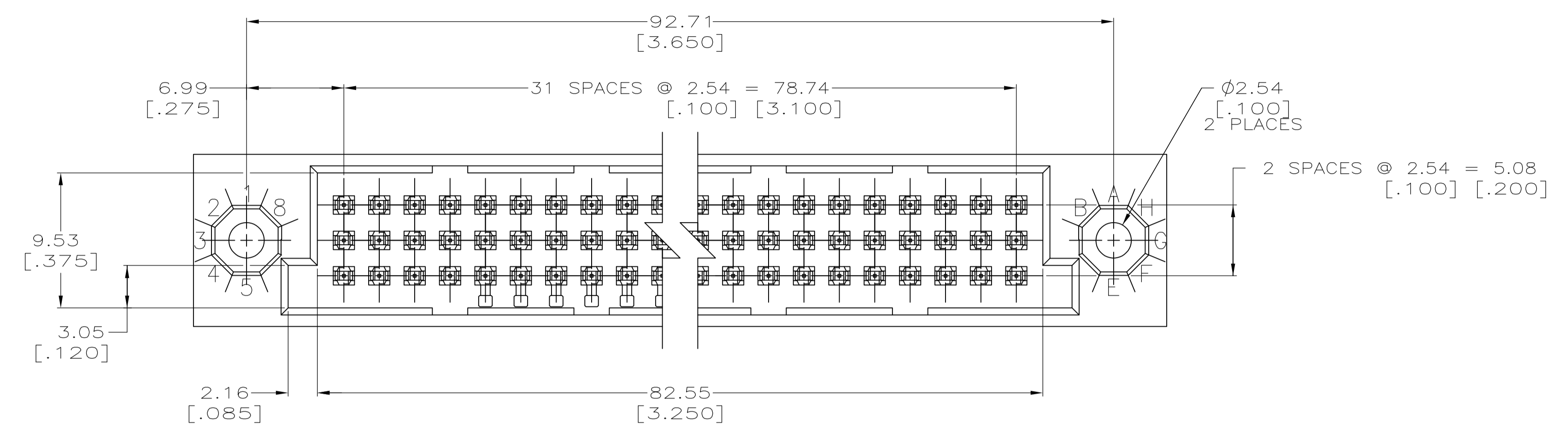


| REVISIONS | | | | | |
|-----------|---------|---------------------------|------|------|--------|
| REV | DATE | DESCRIPTION | BY | CHKD | APPROV |
| B | 13NOV15 | REVISED PER ECO-15-015252 | BJ | | FY |
| B1 | 10MAR16 | REVISED PER ECO-16-003656 | B.J. | | S.Y. |



- △ HOUSING MATERIAL: THERMOPLASTIC.
- △ CONTACT MATERIAL: COPPER ALLOY.
- △ FINISH:
 - MATING AREA: MEETS THE PERFORMANCE REQUIREMENTS OF PRODUCT SPECIFICATION 108-9063; BASED ON TELCORDIA DR-1217-CORE APPLICATIONS IN UNCONTROLLED ENVIRONMENTS.
- △ ACTION PIN POSTS REQUIRE 2.36 [.093] MIN THICK P.C. BOARD. RECOMMENDED P.C. BOARD HOLES ARE $\phi 1.151$ [.0453] PLATED THRU WITH 0.025-0.076 [.001-.003] COPPER, WITH 0.0076 [.0003] MIN TIN-LEAD PLATING; FINISHED HOLE AFTER PLATING $\phi 0.94-1.09$ [.037-.043].

598051-1
PART NUMBER

| | | | |
|--|--------|--------------------------|---|
| THIS DRAWING IS A CONTROLLED DOCUMENT. | | DIN J. POLIGNONE D44PROB | TE Connectivity |
| DIMENSIONS: mm [INCHES] | | CHK A. SHARPE D44PROB | |
| TOLERANCES UNLESS OTHERWISE SPECIFIED: | | APVD A. SHARPE D44PROB | NAME |
| 0 PLC ± - | | | ASSEMBLY, PIN, VERTICAL, HDI, 3 ROW, 96 POSITION, 18.62[.733] ACTION PIN POSTS WITH STABILIZERS |
| 1 PLC ± - | | | PRODUCT SPEC |
| 2 PLC ± - | | | APPLICATION SPEC |
| 3 PLC ± 0.13 [.005] | | | SIZE |
| 4 PLC ± - | | | CAGE CODE |
| ANGLES ± - | | | DRAWING NO |
| MATERIAL | FINISH | WEIGHT | RESTRICTED TO |
| | | A1 | 00779 |
| | | | 598051 |
| | | | CUSTOMER DRAWING |
| | | SCALE 4:1 | SHEET 1 OF 1 |
| | | | REV B1 |