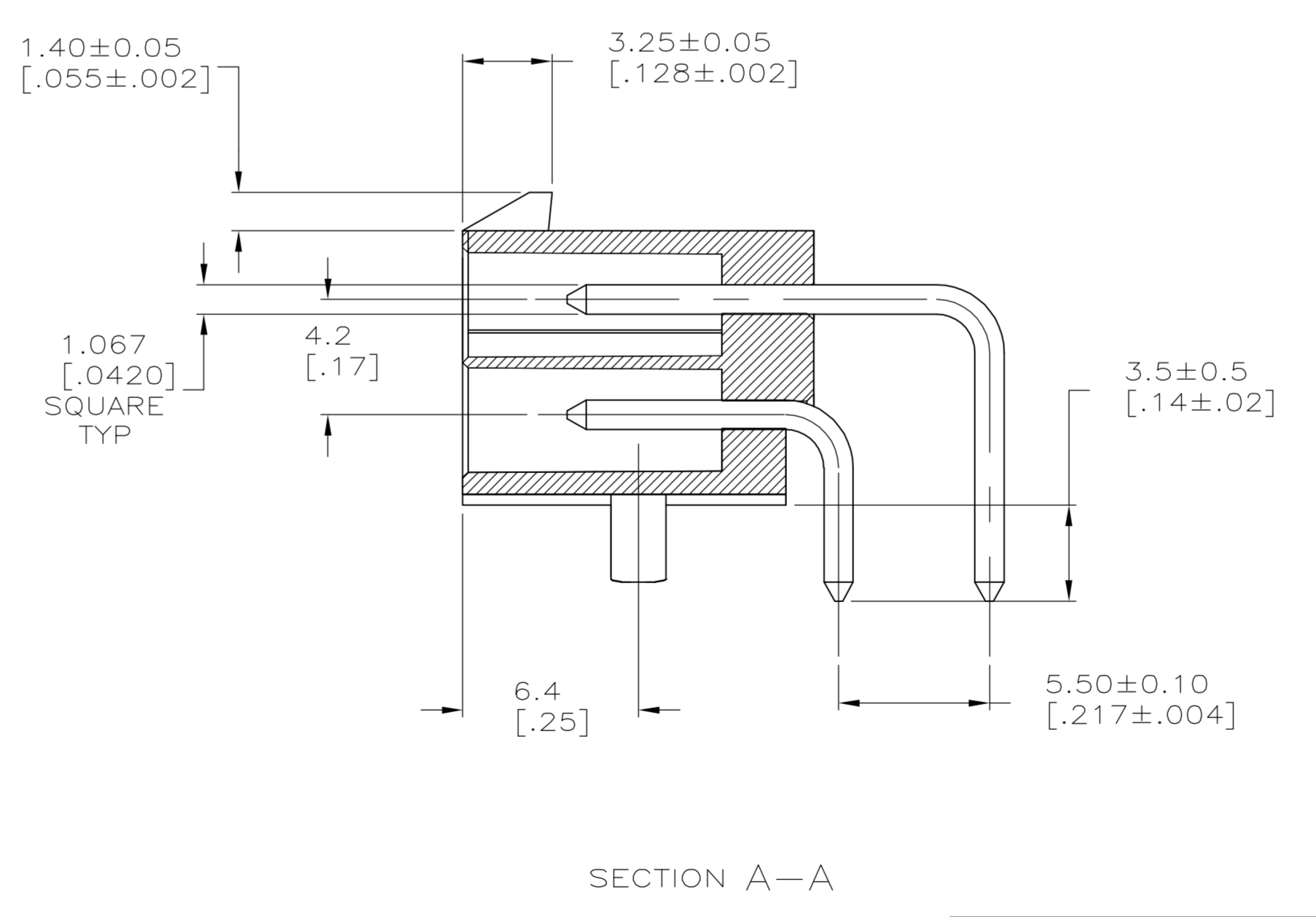
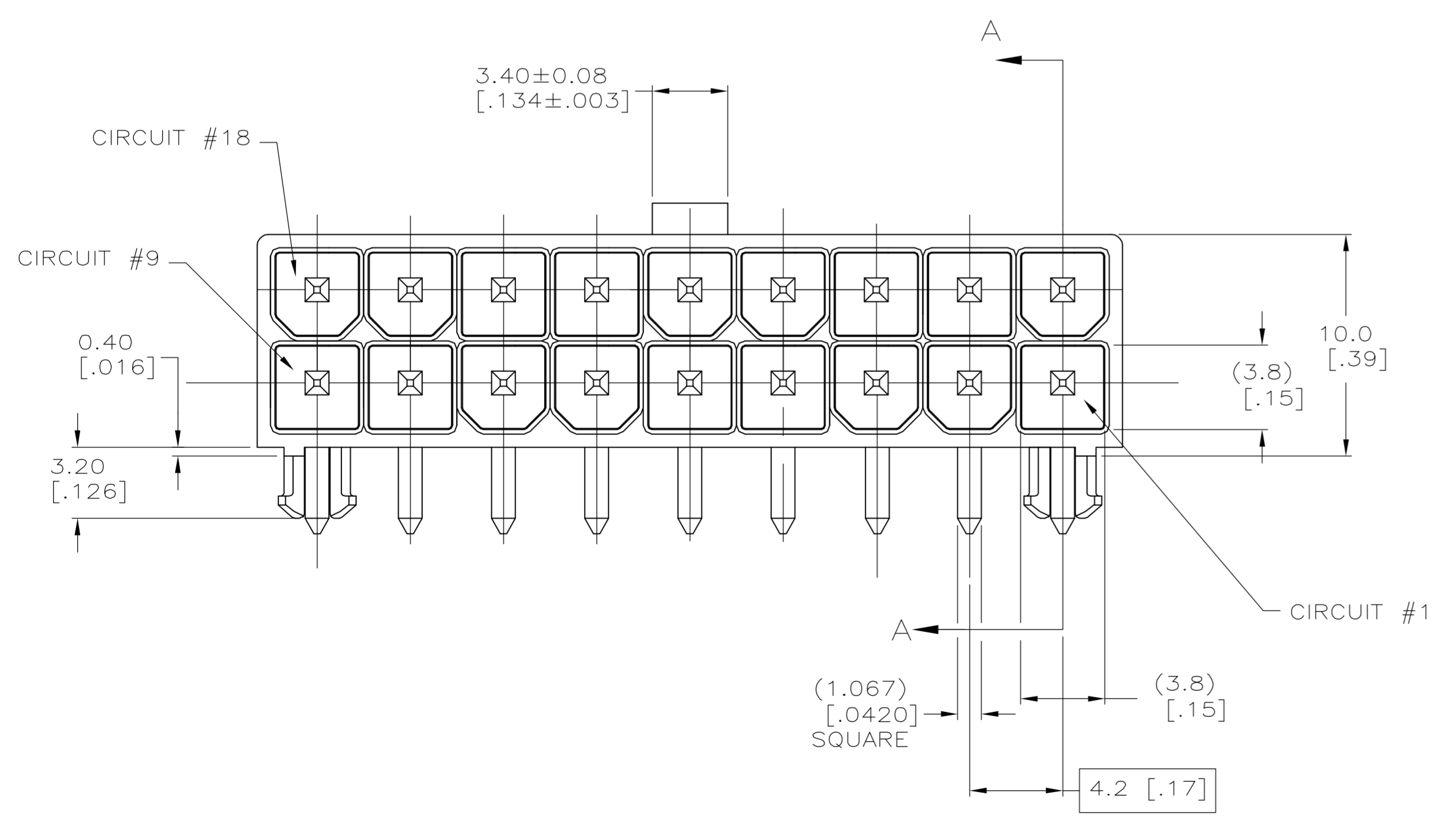
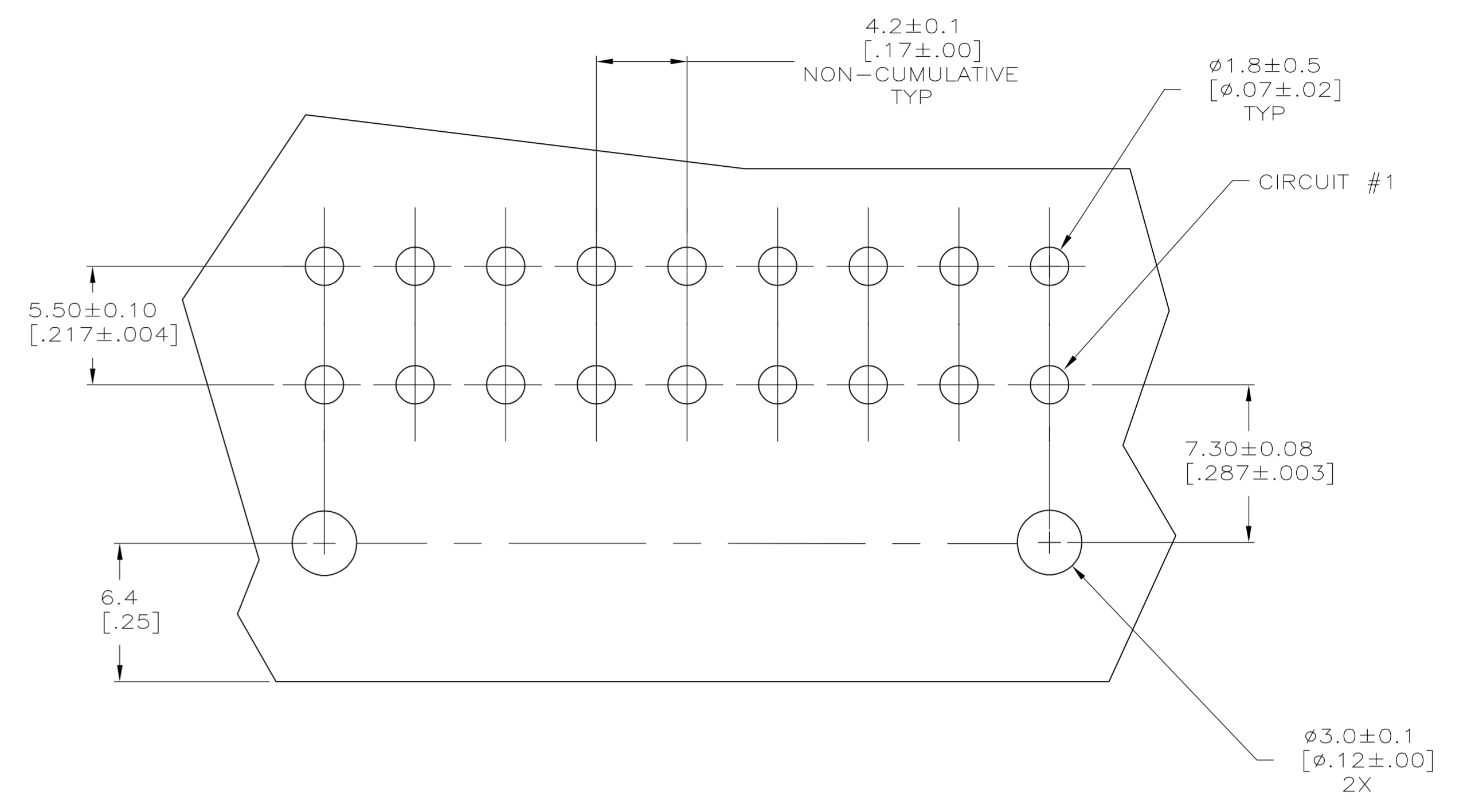
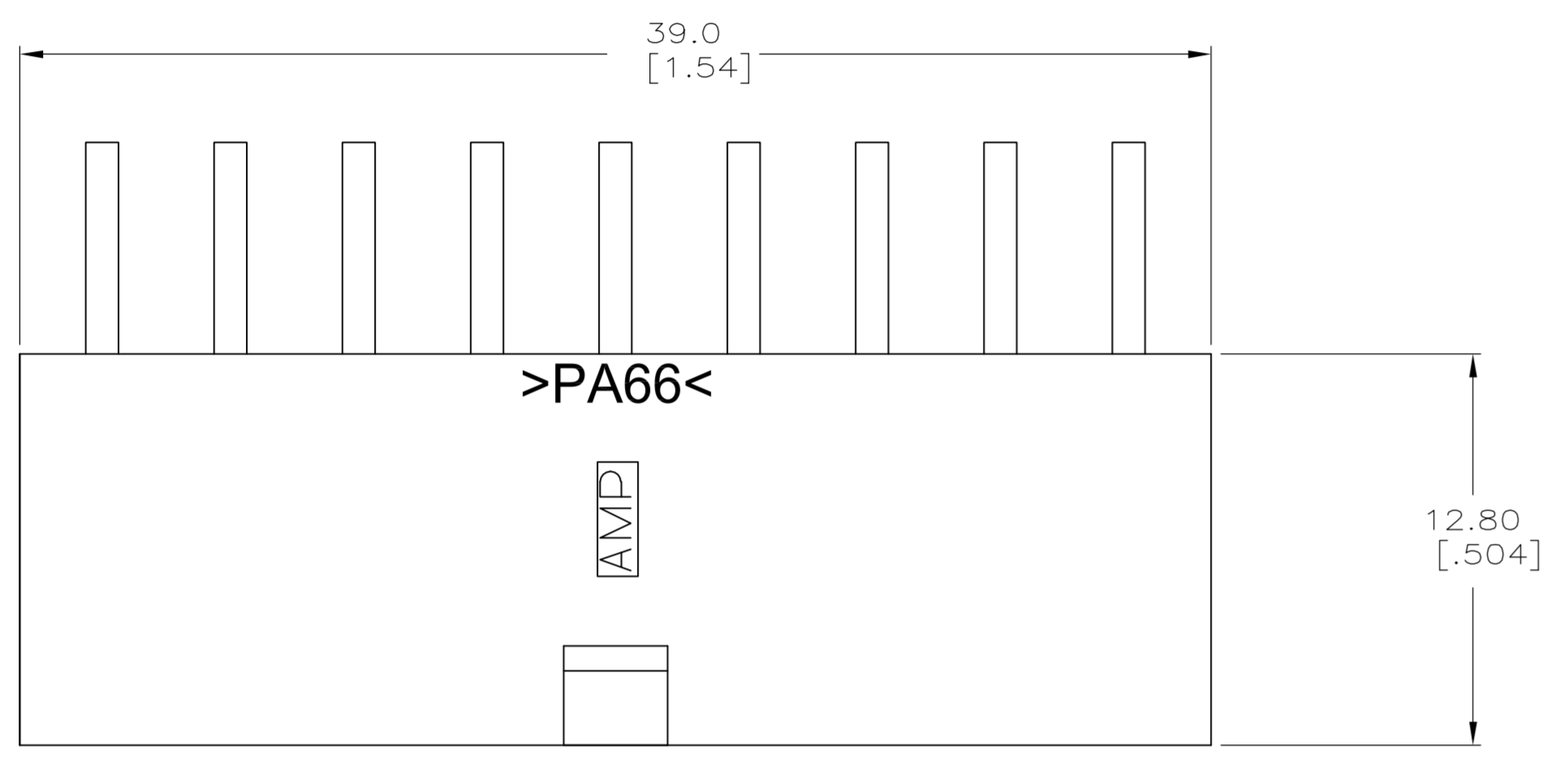


- 1 MATERIAL: HOUSING - NYLON, UL94V-2 (COLOR - NATURAL).  
PIN - 1.067mm<sup>2</sup> [.0017in<sup>2</sup>] COPPER ALLOY.
- 2 PINS TO COMPLY WITH SOLDERABILITY SPEC 109-11-3.
- 3 0.00381 [.000150] MINIMUM TIN LEAD OVER 0.00127 [.000050] MINIMUM NICKEL, ENTIRE LENGTH OF PIN.
- 4 NOTE DELETED.
- 5 0.00381 [.000150] MINIMUM TIN OVER 0.00127 [.000050] MINIMUM NICKEL, ENTIRE LENGTH OF PIN.



SUPERSEDED BY 1-794514-1

1	5	1	1	1-794514-1
1	3	1	1	794514-1
MATERIAL		FINISH		ASSEMBLY
PIN		HOUSING		

**METRIC**

THIS DRAWING IS A CONTROLLED DOCUMENT.

DIMENSIONS:	TOLERANCES UNLESS OTHERWISE SPECIFIED:	DWN	S. HOOVER	02-MAR-2005	<b>tyco</b> Electronics	Tyco Electronics Corporation Harrisburg, Pa 17105-3608
mm [INCHES]	0 PLC ± .02 [0.1] 1 PLC ± .02 [0.1] 2 PLC ± .013 [0.05] 3 PLC ± .013 [0.05] 4 PLC ± .013 [0.05] ANGLES: ± 30°	CHK	D. COLEY	02-MAR-2005		NAME
MATERIAL	SEE CHART	APVD	D. COLEY	02-MAR-2005	PRODUCT SPEC	108-1646
FINISH	SEE CHART	APPLICATION SPEC			SIZE	114-6067
RESTRICTED TO		WEIGHT	A1	00779	CASE CODE   DRAWING NO	794514
CUSTOMER DRAWING		SCALE	5:1	SHEET	1 OF 1	REV