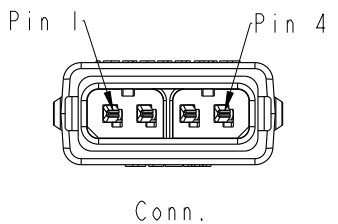
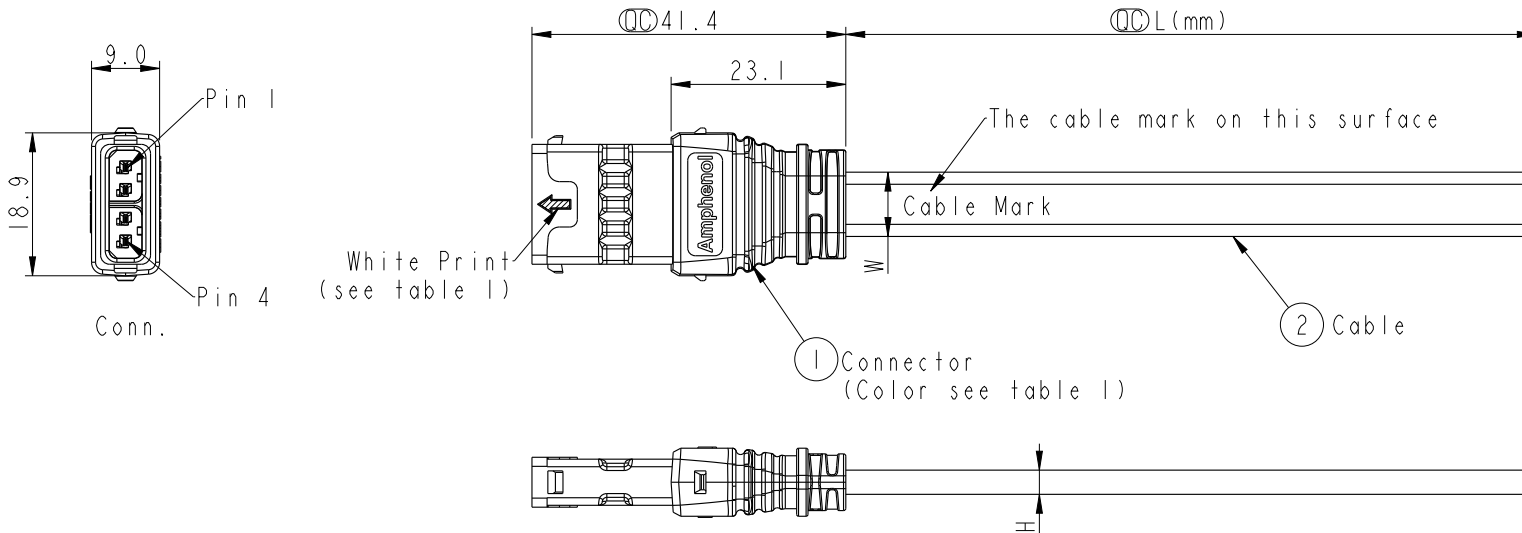


THIS DOCUMENT IS SUBJECT TO CHANGE WITHOUT NOTICE. IT IS CONFIDENTIAL AND A PROPERTY OF Amphenol LTW. DISCLOSURE TO THIRD PARTY HAS TO BE AUTHORIZED BY Amphenol LTW.

REV.	ECN NO.	DATE	SIGN	DESCRIPTION
A	Initial Release	2017-05-17	Fisher Wang	Rev. 01 to A

Table 1:

P/N.	connector	Cable	White Print
SSL12-J4LJ0-0XXFXX	White	White	Without
SSL12-J4LJ0-0XXHXX	Black	Black	With



SSL12-J4LJ0-0XX X XX

- XX: 1M~99M
- 01: 1M
- 02: 2M
- :
- 99: 99M
- F: White
- H: Black

- Cable Length Tolerance:
- 01M: ±40mm
 - 02M~06M: ±60mm
 - 06M~10M: ±100mm
 - 11M~30M: ±200mm
 - 31M~99M: ±500mm

Notes:

- * \varnothing Important Dimension To Check.
- * Current Rating:5A
- * Voltage Rating:300V DC/AC
- * Waterproof Rate:IP68(mating)
1M Depth Of Water In 24 Hours.
- * Housing: Thermoplastic, UL94V-0,
color see table 1.
- * Terminal:Copper Alloy, Gold Plated.
- * Seals: Silicone, Gray.
- * Cable:UL21996, Flat Cable, UV Resistance,
color see table 1.
- * Temperature Range: -40~+105℃

4	Yellow 黃
3	Orange 橘
2	Red 紅
1	Brown 棕
Conn	Wire Color
Pin out	

UNIT:mm ± 0.5	TITLE SSL1.2 4P, JACK CONN+FLAT CABLE		Amphenol LTW 安費諾亮泰企業股份有限公司		ITEM NO	DRAWN BY Fisher Wang	DATE 2017-05-17
	SCALE Free	SIZE A4			SHEET 1	OF 1	DWG NO SSL12-J4LJ0-0XXXXX
	REV. A	WC-REV. A.3	\varnothing : Inspection item		CUSTOMER ALTW	APPROVED BY Kevin Hu	DATE 2017-05-17