
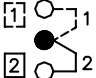
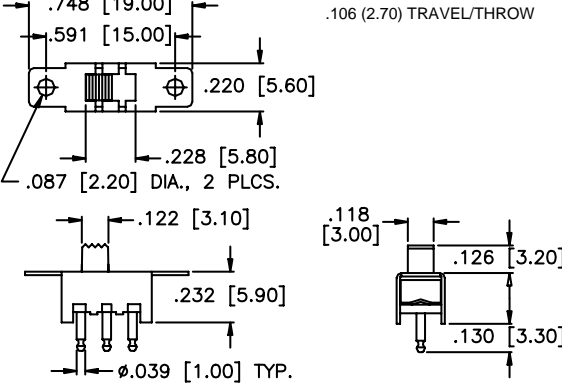
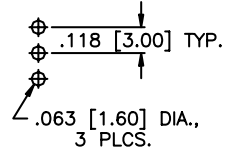

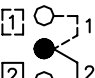
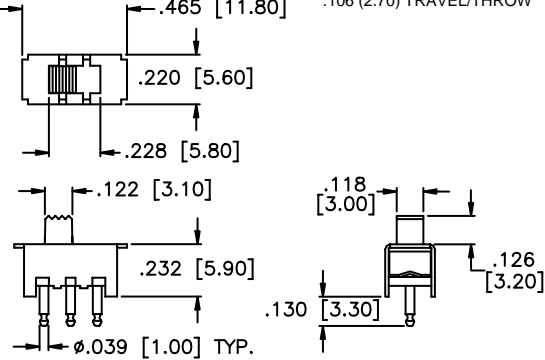
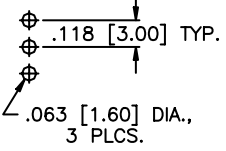

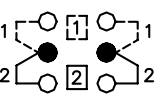
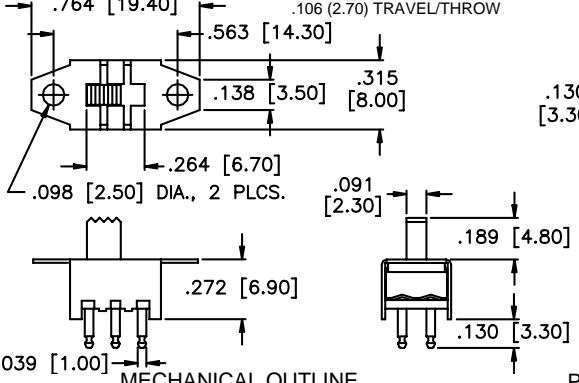
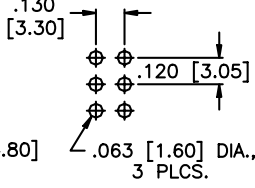


# SLA Series


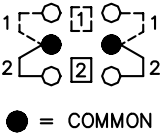
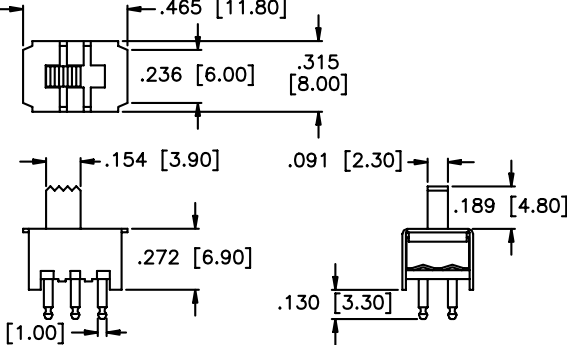
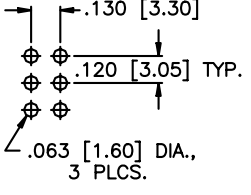
## Miniature Slide Switches

SPECIFICATIONS	FEATURES
<p><b>Contact ratings:</b> 500 mA at 125 VAC</p> <p><b>Initial contact resistance:</b> 20 milliohms max.</p> <p><b>Insulation resistance:</b> 100 megohms min. at 500 VDC</p> <p><b>Dielectric strength:</b> 500 volts RMS for 1 minute</p> <p><b>Electrical life:</b> 10,000 cycles min.</p> <p><b>Operating temperature range:</b> -20°C to +85°C</p> <p><b>Actuation force:</b> 350g ± 200g</p> <p><b>Solder heat resistance:</b> 260°C max. for 3 seconds</p> <p><b>Solvent washing permissible</b></p>	<ul style="list-style-type: none"> <li>● <b>Miniature compact size.</b></li> <li>● <b>Wash-through open frame construction.</b></li> <li>● <b>Panel and p.c. mounting models.</b></li> </ul>
	MATERIALS
	<p><b>Contacts &amp; terminals:</b> Silver plated brass</p> <p><b>Frame:</b> Zinc plated steel</p> <p><b>Actuator:</b> PBT Thermoplastic</p> <p><b>Base:</b> Phenolic laminated sheet</p>

MODEL NO.			
SLA1200			
	<p><b>1P2T</b></p>  <p>● = COMMON</p>	 <p>.106 (2.70) TRAVEL/THROW</p>	
SCHEMATIC	MECHANICAL OUTLINE	P.C. BOARD LAYOUT	
MODEL NO.			
SLA1201			
	<p><b>1P2T</b></p>  <p>● = COMMON</p>	 <p>.106 (2.70) TRAVEL/THROW</p>	
SCHEMATIC	MECHANICAL OUTLINE	P.C. BOARD LAYOUT	
MODEL NO.			
SLA2200			
	<p><b>2P2T</b></p>  <p>● = COMMON</p>	 <p>.106 (2.70) TRAVEL/THROW</p>	
SCHEMATIC	MECHANICAL OUTLINE	P.C. BOARD LAYOUT	

SPECIFICATIONS SUBJECT TO CHANGE WITHOUT NOTICE

SPECIFICATIONS SUBJECT TO CHANGE WITHOUT NOTICE

<b>MODEL NO.</b>	<b>2P2T</b>		
<b>SLA2201</b>			
	 <p>● = COMMON</p>		
	SCHEMATIC	MECHANICAL OUTLINE	P.C. BOARD LAYOUT

