

PRODUCT NUMBER
76383-YXXLF

PLATING

3=0.76μm GOLD ON CONTACT AREA
3.81μm TIN-LEAD ON TAIL

4=3.81μm TIN-LEAD ON CONTACT AREA
AND ON TAIL

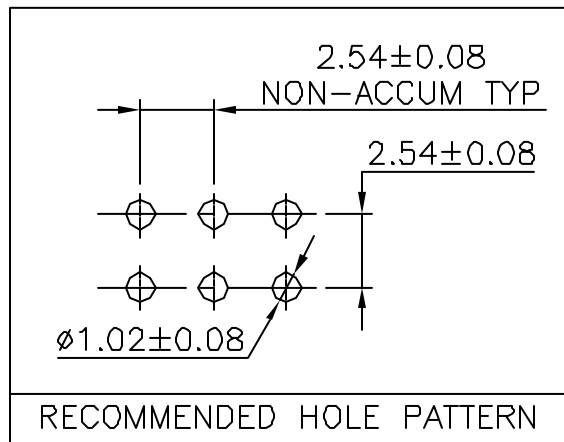
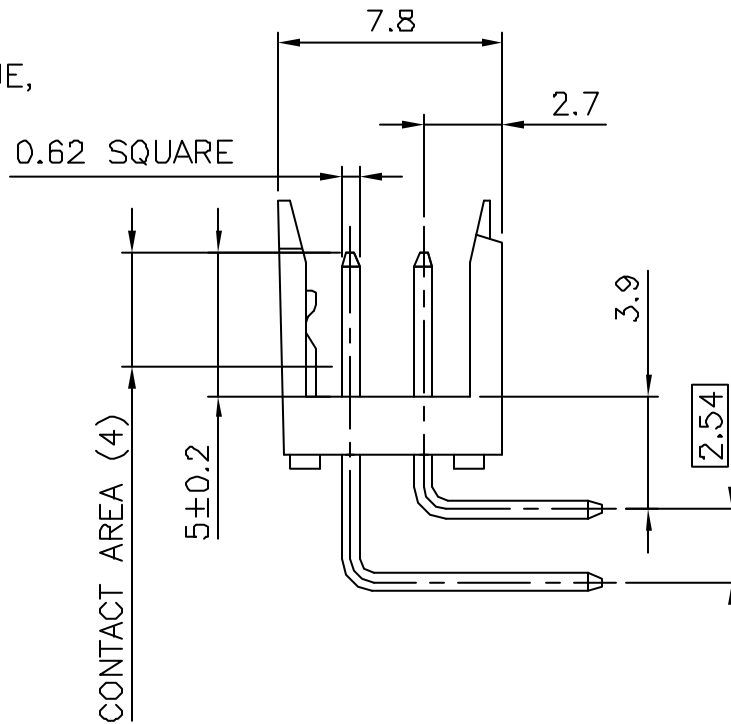
WHEN "LF" IS REQUIRED, 2μm MIN
MATTE TIN OVER 1.27μm MIN NICKEL
IS PROVIDED INSTEAD OF TIN-LEAD

WHEN REQUIRED, ADD SUFFIX LETTER "LF"
INDICATES THE PRODUCT IS RoHS
COMPATIBLE, SEE NOTE 7

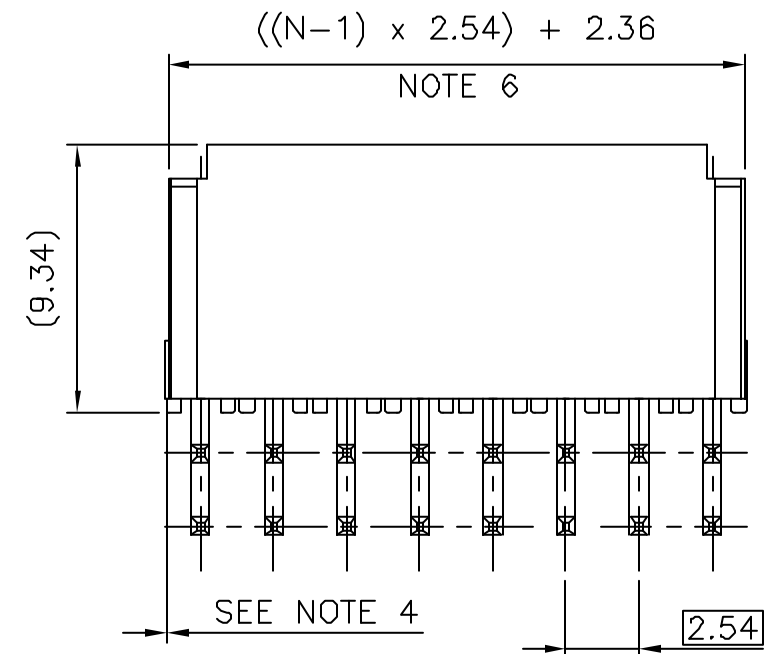
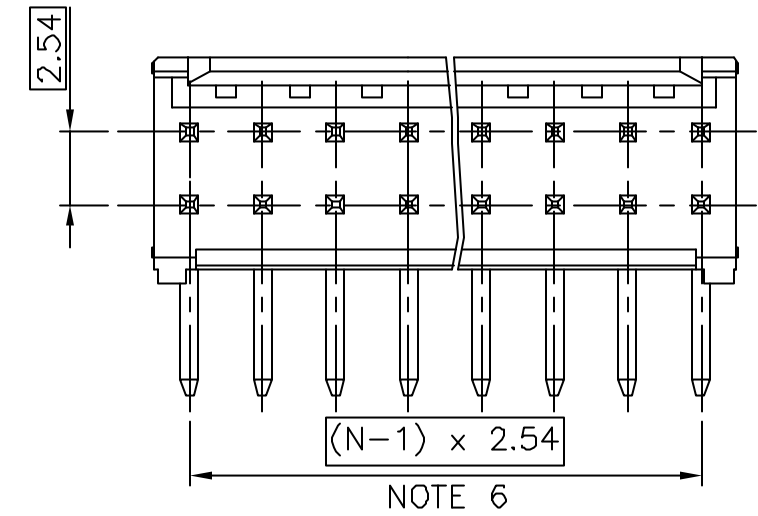
NUMBER OF POSITIONS PER ROW: 04 TO 36

NOTES:

- BODY MATERIAL: POLYESTER 30% GLASSFILLED COLOR BLUE, FLAME RETARDANT PER UL-94 V0.
- CONTACT MATERIAL: PHOSPHOR BRONZE.
- 22N MIN PIN RETENTION IN EITHER DIRECTION
- 0.3 MAX PROTRUSION PERMITTED AT 4 PLACES
- PACKAGING :
- POLYBAGS FROM 2 x 02 TO 2 x 06 POSITIONS
- TUBE FROM 2 x 07 TO 2 x 36 POSITIONS
- TO DETERMINE DIMENSIONS :
N = NUMBER OF POSITIONS PER ROW
EXAMPLE : 8 POS N x 2.54 = 20.32mm
- RoHS COMPATIBLE PRODUCT SPECIFICATIONS
 - PLATING:
- "LF" MEANS THE PRODUCT IS LEAD-FREE,
2μm MINIMUM MATTE TIN OVER 1.27μm
MINIMUM NICKEL UNDERPLATE.
 - MANUFACTURING PROCESS COMPATIBILITY
- THE HOUSING WILL WITHSTAND EXPOSURE TO
245°C ±5°C SOLDER BATH TEMPERATURE FOR
5 SECONDS IN A WAVE SOLDER APPLICATION
WITH A 1.6mm MIN THICK CIRCUIT BOARD.
 - LABELING:
- MEETS PACKAGING SPECS AS PER GS-14-920
 - LEGAL STATEMENT: SEE GS-22-008



TOP VIEW



mat'l. code SEE NOTE				tolerances unless otherwise specified			CUSTOMER COPY		ELECTRONICS www.fciconnect.com	
lir	ecn no	dr	date	linear	.x ±0.3		projection	title		
E	F00133	DLE	00.02.21		.xx ±0.15			SHR. HEADER		
F	F10120	DLE	01.01.24	angles	.xxx ±0.05			RA DR TMT		
G	F05-0117	LMU	05.01.31					product family DUBOX		
				dr	D.LE	01.01.24	mm	code		
				enqr	JM.C	01.01.24		213		
				chr	JM.C	01.01.24	scale	size		
				appd	JF.N	01.01.24		A3		
							5:1	dwg no		
								76383		
sheet index		revision sheet						1 of 1		