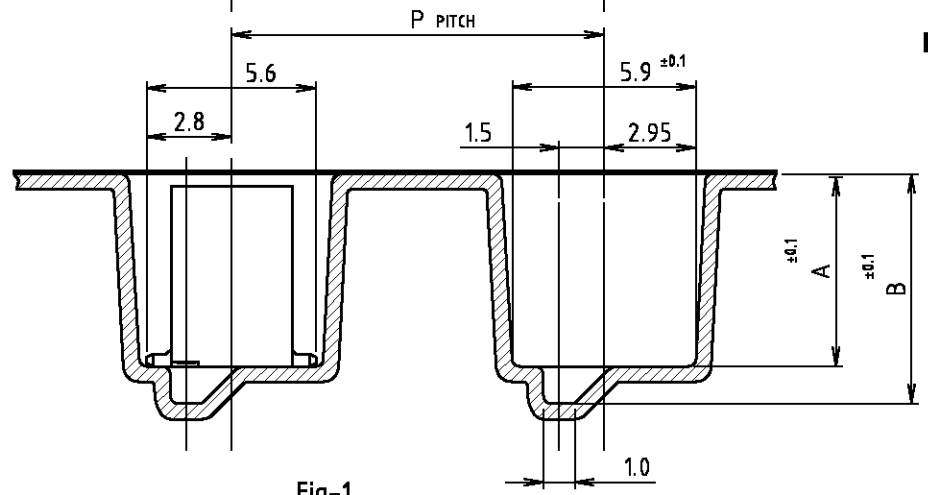
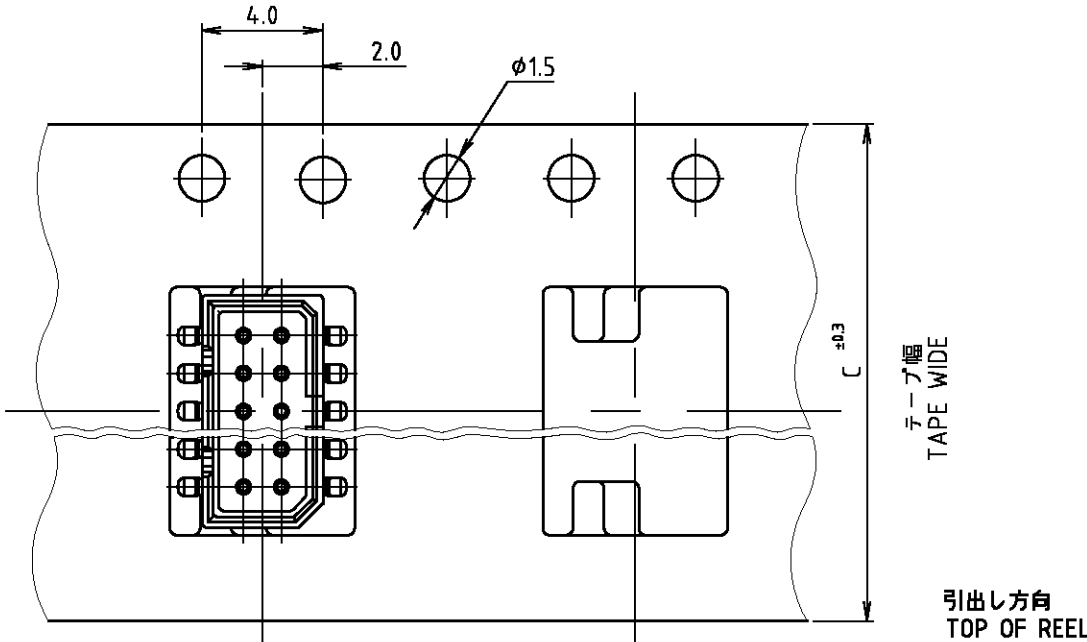


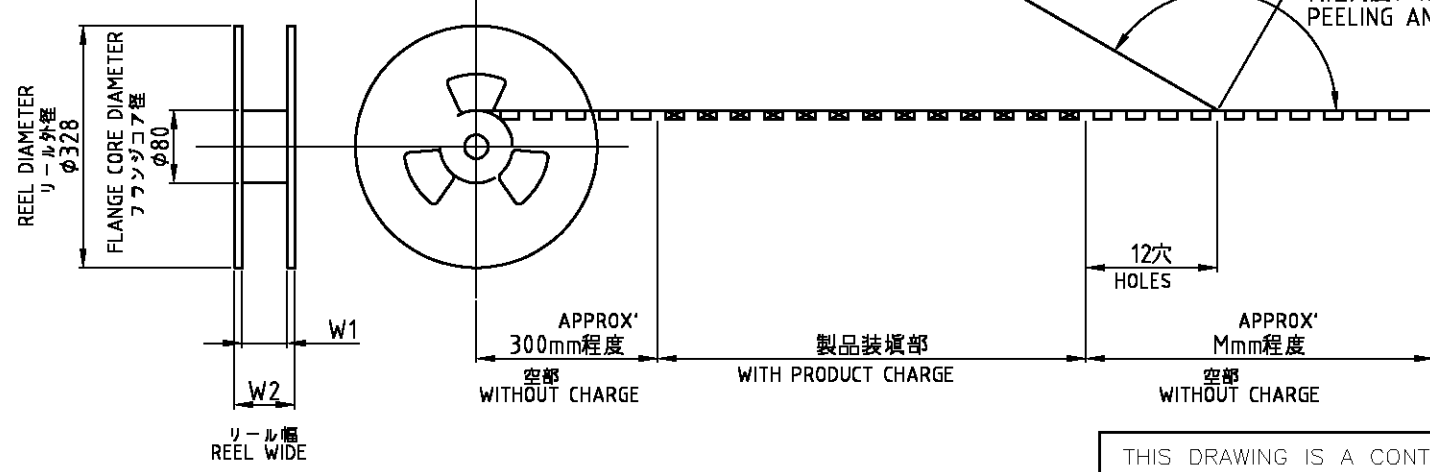
LOC	DIST	REVISIONS					
J		P	LTR	DESCRIPTION	DATE	DWN	APVD
		C		REVISED PER ECR-11-001310	21APR11	T.T	T.M



注記  
 1. 包装規格 :107-5123-5  
 NOTE  
 1. PACKAGING SEPC:107-5123-5



鉛フリー  
 LEAD FREE



↑	↑	↑	12	↑	8.20	7.25	650	24	6-	↑-2	2-178041-4	5-	↑-4
OBSOLETE	29	26	300	12	24	7.45	6.25	750	26	7-912055-9	2-177593-6		2-177595-6
	W <sub>2</sub>	W <sub>1</sub>	M	P	C	B	A	数量 (マ) QTY/REEL	極数 Pcs	エンボステープ型番 EMBOSS TAPE P/N	コネクタ型番 (1775) CONNECTOR P/N		リール巻コネクタ型番 TAPING P/N

THIS DRAWING IS A CONTROLLED DOCUMENT.

DIMENSIONS: mm	TOLERANCES UNLESS OTHERWISE SPECIFIED:	DWN S.KANEKI 28MAY92	<b>STE</b> TE Connectivity
	0-PLC ± 1-PLC ± 2-PLC ± 3-PLC ± 4-PLC ± ANGLES ± FINISH ±	CHK J.TANIGAWA 28MAY92	
MATERIAL		APVD S.KUBOUCHI 30SEP92	NAME ON TAPING (EMBOSS) 1.25 F-P CONNECTOR (B-TO-B) DOUBLE ROW POST HDR ASS'Y SMT TYPE WITHOUT BOSS - IMPROVED TYPE
		PRODUCT SPEC	SIZE A3
		APPLICATION SPEC	CAGE CODE 00779
		WEIGHT	DRAWING NO C-177595
		CUSTOMER DRAWING	RESTRICTED TO
			SCALE
			SHEET 1 OF 1
			REV C