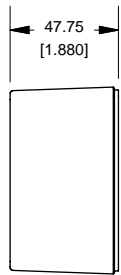
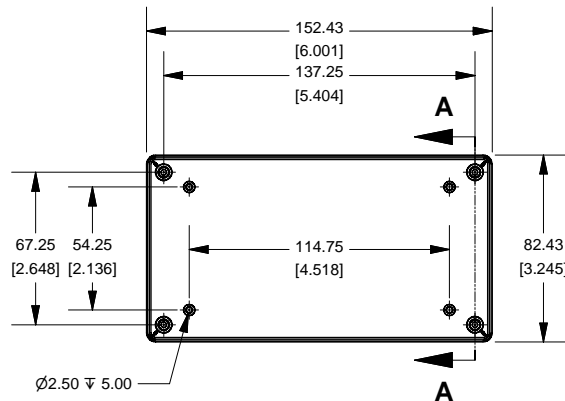


# 1591XXDS Enclosure

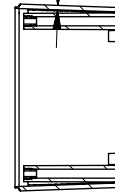


**SIDE VIEW OF BOX**

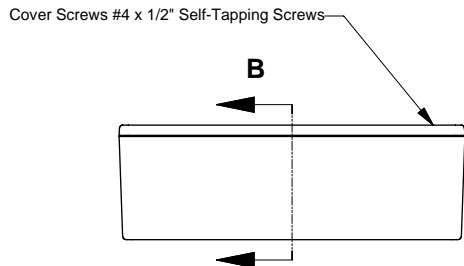
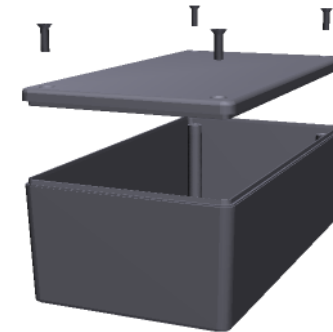


**TOP VIEW OF BOX**

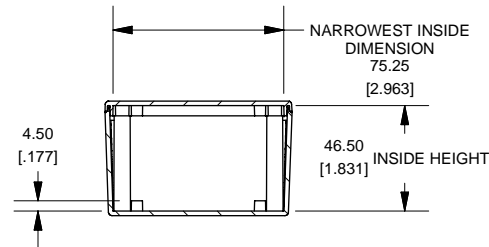
AVERAGE WALL THICKNES  
2.00  
[.079]



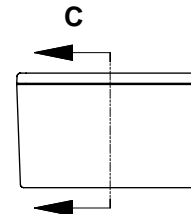
**SECTION A-A**



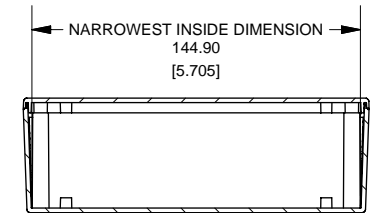
**SIDE VIEW OF ENCLOSURE**



**SECTION B-B**



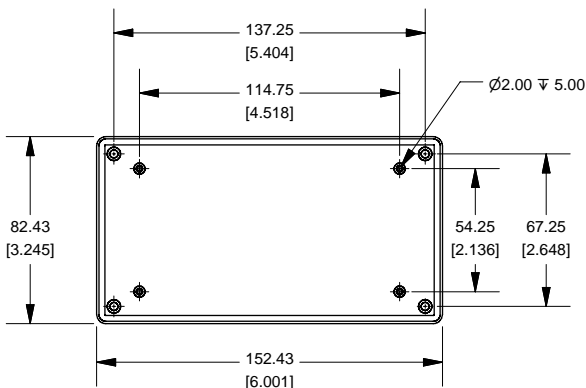
**END VIEW OF ENCLOSURE**



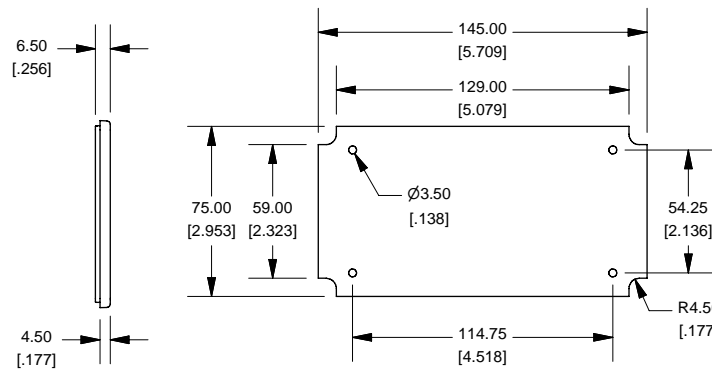
**SECTION C-C**

Note:

Enclosures can be Factory Modified ( Milling, Drilling, Printing etc. )  
Solid models of this enclosure available in STEP or IGES.  
Contact Factory [mjm@hammondmfg.com](mailto:mjm@hammondmfg.com)



**BOTTOM OF LID**



**SIDE VIEW OF LID**

Max Size PCB. Fits in Box or in Lid.  
Not supplied with Enclosure

NOTE	
Enclosure molded from GPABS UL-94HB plastic	
Other materials / colours available. Consult factory.	

1591XXDS	
1591XXDS Enclosure	
Black - RAL 7011	1591XXDSBK
ACCESSORIES	
Black Cover Screws	1591TS100BK
PCB Screws	1593ATS50 (pkg 50)
[ #4 x 1/4" self-tapping (6.4mm) ]	1593ATS100 (pkg 100)

