

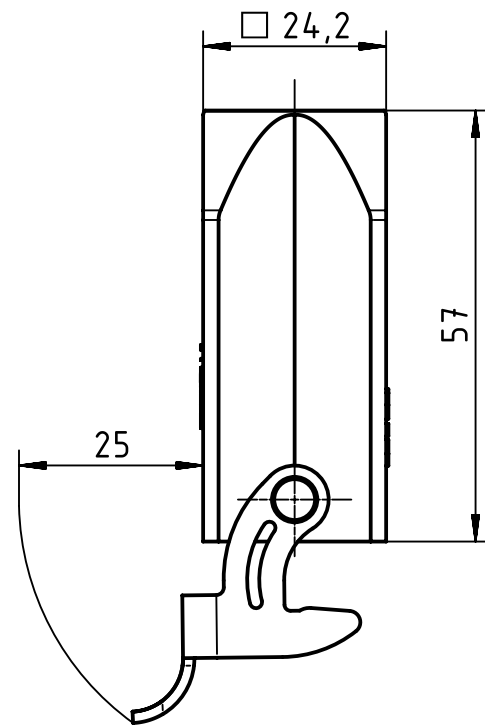
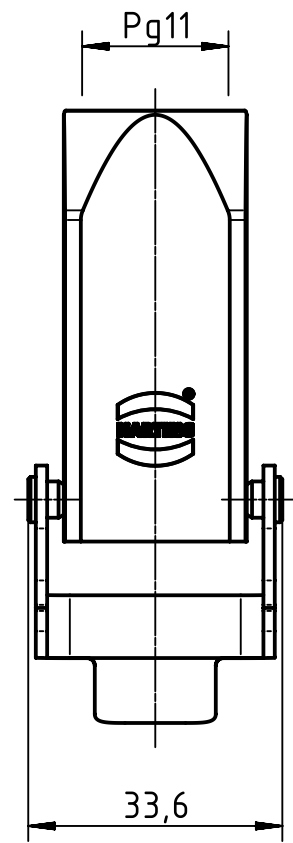
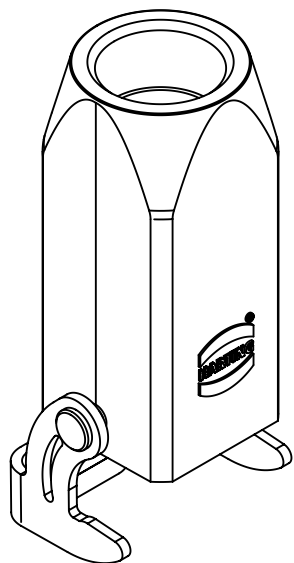
1                      2                      3                      4                      5                      6


A

B

C

D



	All rights reserved Department EL PD - DE	Created by SPRENB		Inspected by BERGHORN		Standardisation TIEMANNA		Date 2013-06-13		State Final Release	
		Title Han 3A-kg-QB-11 (blau)								Doc-Key / ECM-Nr. 100540843/UGD/001/A 500000060959	
HARTING Electric GmbH & Co. KG D-32339 Espelkamp		Type TB		Number 09 20 003 1710				Rev. A		Page 1/1	