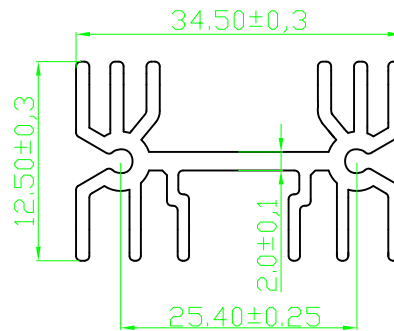
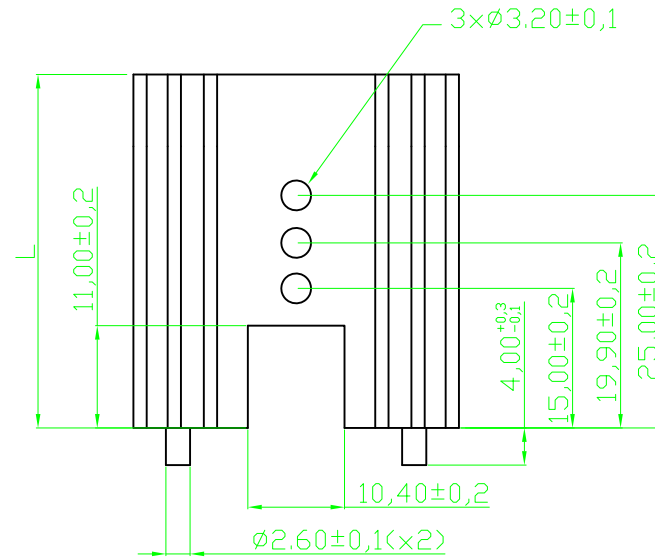


RoHS compliant



Notes
 Material : AL 6063
 Finished : Black Anodized
 Pin : Tin Plated

Option	L	Thermal resistance(K/W)
V8813W	25	6.5
V8813X	38	5
V8813Y	50	4

Scale	1:1					Date	Name	Customer-No.
TOLERANCE						Drawn	11.08.2009	Dean
						Approved	08.03.2010	Andy
UNIT	±x							
DIM	TOL	②	Modify drawing layout	08.03.2010	Dean			
X.°	±X°	①	Drawn	11.08.2009	Dean			
X.X°	±X°							
Angle	TOL	Id.	Modification	Date	Name			

ASSMANN WSW-No.		V8813x
Drawing-No.		ASS 0870 HS
Replace	rev02	Sheet

1

2

3

4

5

6

7

A

B

C

D

E

F

G

H

A

B

C

D

E

F

G

H

1

2

3

4

5

6

7