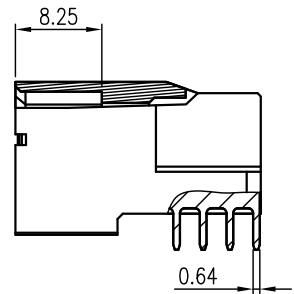
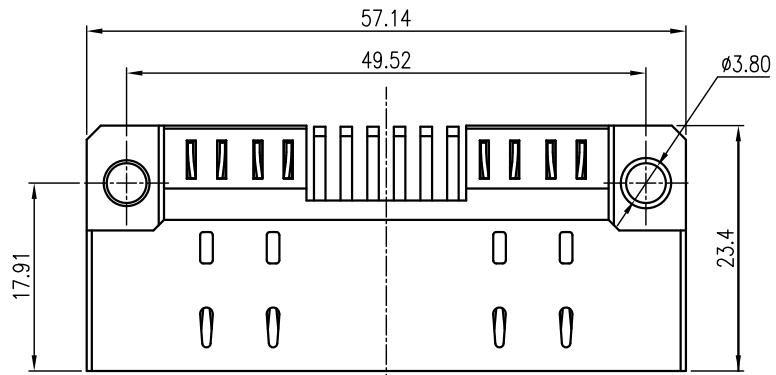


This document is the property of Amphenol Corporation and is delivered on the express condition that is not to be disclosed, reproduced or used, in whole or in part, for manufacture or sale by anyone other than Amphenol Corporation without its prior consent, and that no right is granted to disclose or to use any information in this document.

The marking on this product doesn't contain environmental hazardous materials per Material Specification 55-00259 for Sony GP compliant or per directive 2002/95/EC for RoHS compliant.

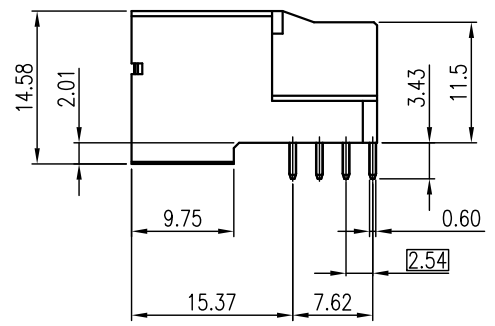
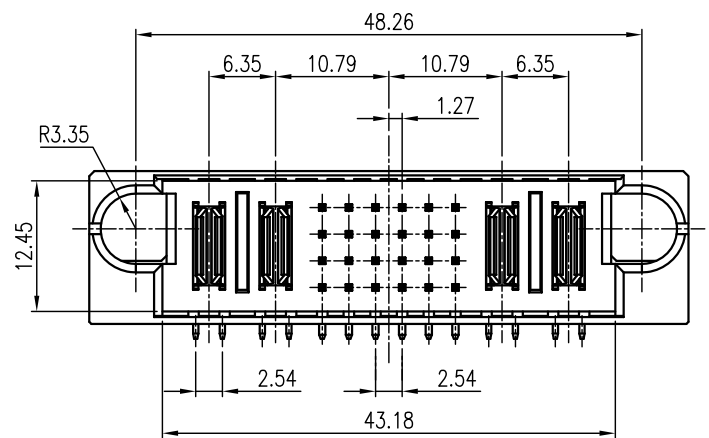
REVISIONS				
SYM	ECN No.	DESCRIPTION	DATE	APPROVED
AX1		NON-RELEASE REVISION	05/09/2011	Arron Lin



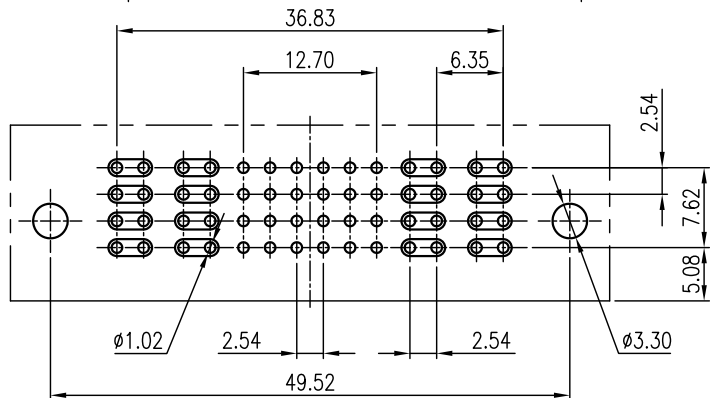
NOTES:

- MATERIAL:**
 HOUSING: HIGH TEMPERATURE THERMAL PLASTIC, LCP, UL94V-0, COLOR: BLACK.
 SPACE: HIGH TEMPERATURE THERMAL PLASTIC, LCP, UL94V-0, COLOR: BLACK.
 SIGNAL TERMINAL: COPPER ALLOY.
 POWER TERMINAL: COPPER ALLOY.
- FINISH:**
 TERMINAL:
 CONTACT AREA: SECTIVE GOLD PLATING ;
 SOLDERING AREA: MATTE TIN PLATING 100 μ" THICKNESS MIN.;
 UNDER PLATING: NICKEL PLATING 50 μ" THICKNESS MIN. OVERALL.
- PACKING IS PER AMTA PACKING SPECIFICATION PKS-0001.
- THIS PRODUCT DOESN'T CONTAIN ENVIRONMENTAL HAZARDOUS PER DIRECTIVE 2002/95/EC FOR RoHS COMPLIANT.

P/N: G20M2060 X OHR
 CONTACT FINISH
 0: PD/Ni 27u"+Au 3u"



**PRELIMINARY RELEASE
 SUBJECT TO CHANGE**



TOLERANCE	APPROVALS	DATE	TITLE		Amphenol® Amphenol Corporation Amphenol Taiwan Corporation	
X. ±0.30 X.X ±0.20 X.XX ±0.10 X.XXX ±0.10	DRAWN Debby Hung	05/09/2011	POWER CONNECTOR 2DC24S2DC MALE R/A DIP TYPE		PART No. G20M2060XOHR	
ANGULAR ±1°	CHECKED Roger Tsai	05/09/2011	UNIT mm SCALE NA		SIZE A3	DWG No. G20M2060XOHR
UNLESS OTHERWISE SPECIFIED	APPROVED Arron Lin	05/09/2011	DWG TYPE CUST DWG		SHEET 1 OF 1	REV. AX1
			PROJECT CODE BHD			