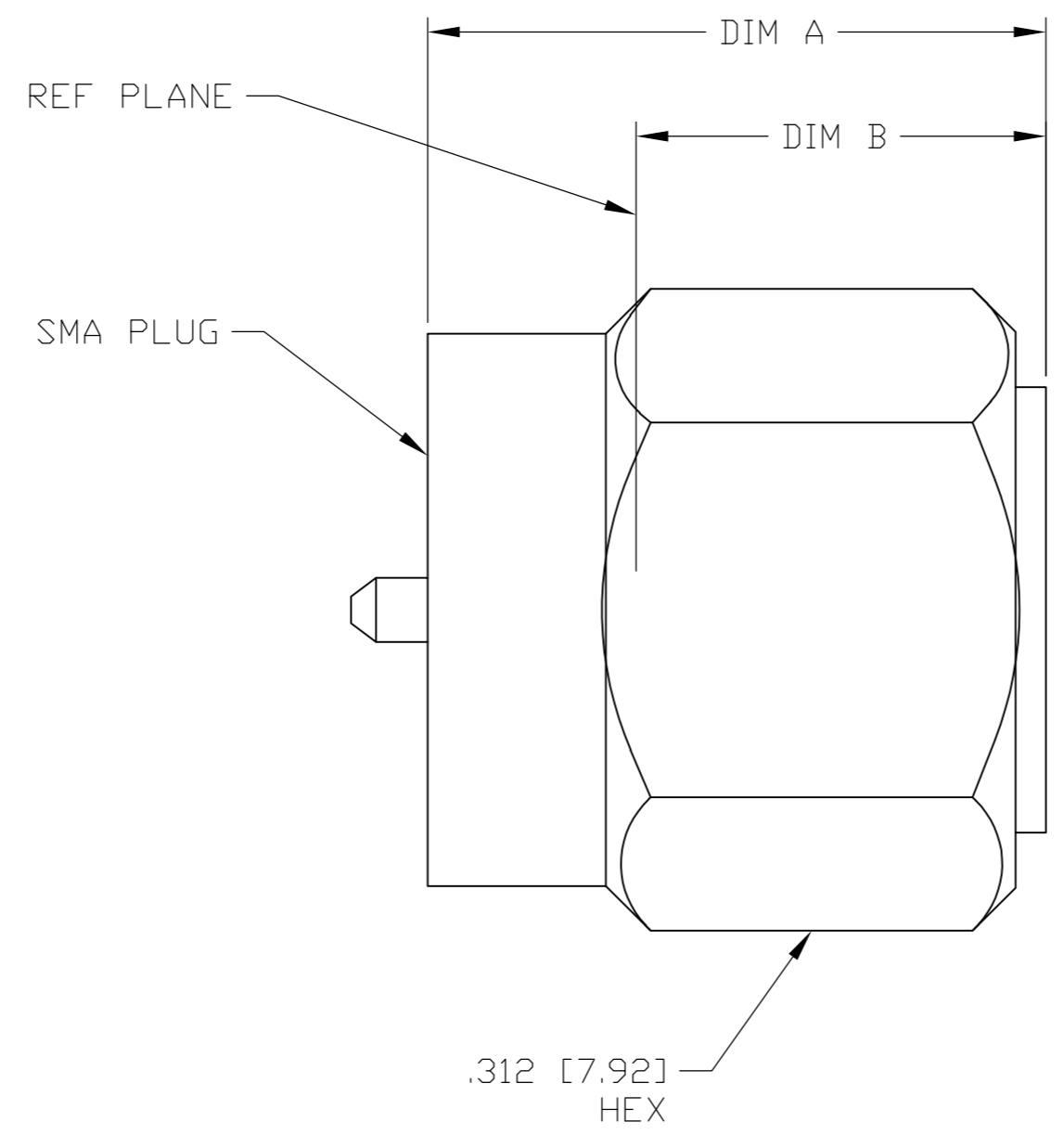


THIS DRAWING IS UNPUBLISHED. RELEASED FOR PUBLICATION
 © COPYRIGHT - By - ALL RIGHTS RESERVED.

LOC	DIST	REVISIONS					
DF	X0	P	LTR	DESCRIPTION	DATE	DWN	APVD
		A		REV PER ECO-11-018574	14OCT11	PY	DW

COMPONENT	MATERIAL	FINISH
HOUSING COUPLING NUT BUSHING	STAINLESS STEEL PER ASTM-A-484 OR ASTM-A-582 TYPE 303	PASSIVATED PER ASTM-A-380
DIELECTRIC	PTFE FLUORCARBON PER ASTM-D-1457	-
CENTER CONTACT	BERYLLIUM COPPER PER ASTM-B-196, ALLOY C17300, CONDITION H	GOLD PLATED PER ASTM-B-488 OVER NICKEL PLATE PER QQ-N-290
RETAINING RING	BERYLLIUM COPPER PER ASTM-B-194, ALLOY C17200, CONDITION H	GOLD PLATED PER ASTM-B-488
GASKET	SILICONE RUBBER PER ZZ-R-765	-
-	-	-
-	-	-
-	-	-
-	-	-

.230 REF [5.84]	.345±.020 [8.13±0.51]	AFTER CRIMPING
.301 REF [7.65]	.345±.020 [8.13±0.51]	BEFORE CRIMPING
DIM B	DIM A	



1. CAPTURED CENTER CONTACT.
2. PICTORIAL VIEW IS AFTER CRIMPING.
3. MIN STRAIGHT CABLE LENGTH: .217 [5.51].
4. IT IS SUGGESTED TO BEND CABLE PRIOR TO CRIMPING.
5. GROUP A & B TESTING PREFORMED ON THIS CONNECTOR.

DESIGNED TO USE WITH RG-405/U SEMI-RIGID CABLE	
CABLE ENTRY DIAMETER MIN	
HOUSING: .088 [2.24]	
CONTACT: .021 [0.53]	
-	
-	
-	

DIMENSIONS: INCHES [mm]		TOLERANCES UNLESS OTHERWISE SPECIFIED:	
0 PLC	± -	0 PLC	± -
1 PLC	± -	1 PLC	± -
2 PLC	± -	2 PLC	± -
3 PLC	± .005 [0.13]	3 PLC	± .005 [0.13]
4 PLC	± -	4 PLC	± -
ANGLES	± -	ANGLES	± -
MATERIAL	-	FINISH	-

THIS DRAWING IS A CONTROLLED DOCUMENT.		DWN C.C.THOMAS 26FEB2002	1484576-1	
		CHK R.GROSS 2-26-02	PART NO.	
		APVD R.GROSS 2-26-02		
		PRODUCT SPEC	SMA LOW PROFILE STRAIGHT CABLE PLUG ASSY, COMPRESSION CRIMP ATTACHMENT,RF	
		APPLICATION SPEC		
		408-04697	SIZE A2	CAGE CODE 00779
		WEIGHT	DRAWING NO C=1484576	RESTRICTED TO
		CUSTOMER DRAWING	SCALE 10:1	SHEET 1 of 1
			REV A	

1484576

B

A