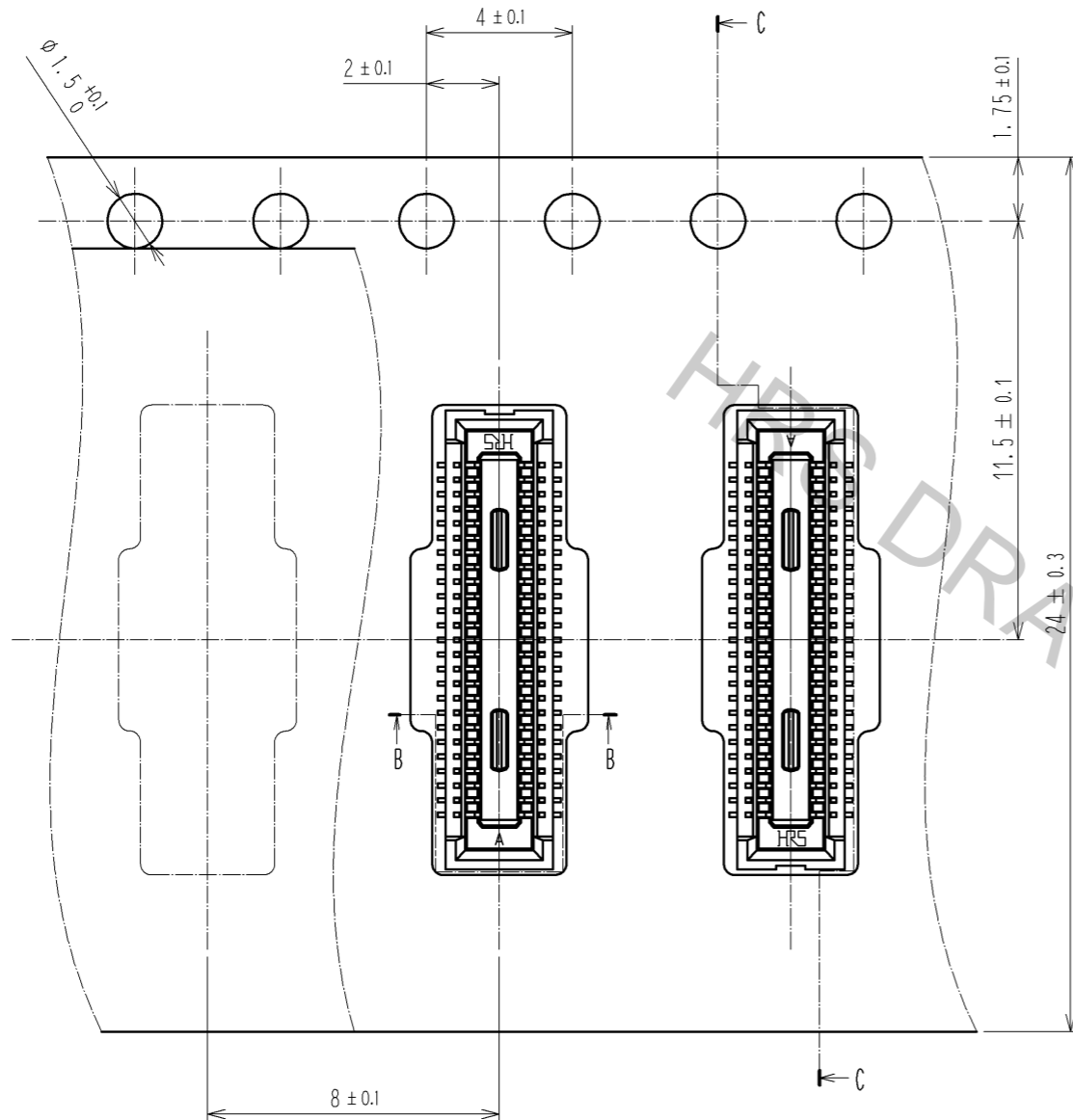


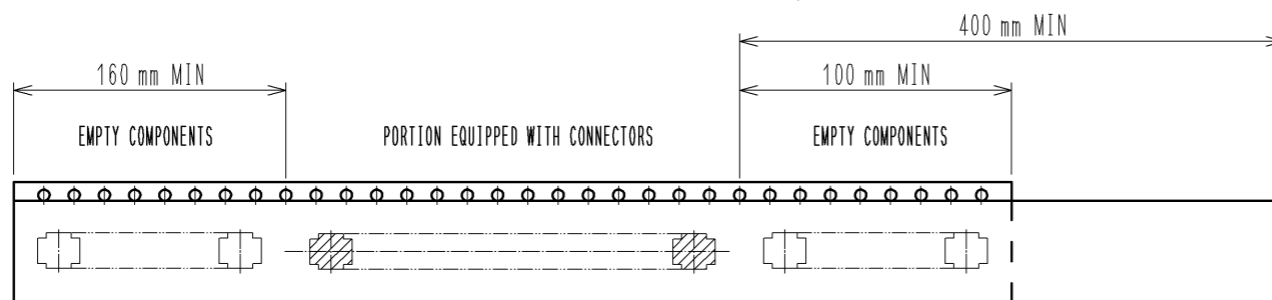
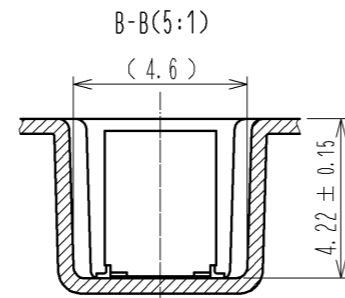
NOTE 1. ALL LEADS CO-PLANARITY SHALL BE 0.1 MAX.  
 2 IS NO PATTERN AREA OTHER THAN THE SAME CIRCUIT.  
 3 HRS MARK AND CAV NO. IS INDICATED IN AROUND POSITION SHOWN.  
 4 GATE POSITION IS POSITIONED IN AROUND POSITION SHOWN.

2	PHOSPHOR BRONZE	CONTACT AREA:GOLD 0.05 μm MIN	6	PS	CLEAR, REINFORCEMENT COLLAR			
		SMT LEAD:GOLD 0.05 μm MIN	5	PS	BLACK			
		UNDERPLATING:NICKEL 1 μm MIN	4	POLYESTER	CLEAR, COVER TAPE			
1	LCP	BLACK, UL94V-0	3	PS	CLEAR, EMBOSSED CARRIER TAPE			
NO.	MATERIAL	FINISH . REMARKS	NO.	MATERIAL	FINISH . REMARKS			
UNITS mm		SCALE 10 : 1	COUNT △	DESCRIPTION OF REVISIONS		DESIGNED	CHECKED	DATE
<b>HRS</b> HIROSE ELECTRIC CO., LTD.		APPROVED : KH. IKEDA	14. 04. 02	DRAWING NO.		EDC3-355791-01		
		CHECED : TS. MIYAZAKI	14. 04. 02	PART NO.		DF40HC(4.0)-50DS-0.4V(51)		
		DESIGNED : RT. SHIMIZU	14. 04. 01	CODE NO.		CL684-4215-1-51		
		DRAWN : TH. YASUI	14. 04. 01			1/2		

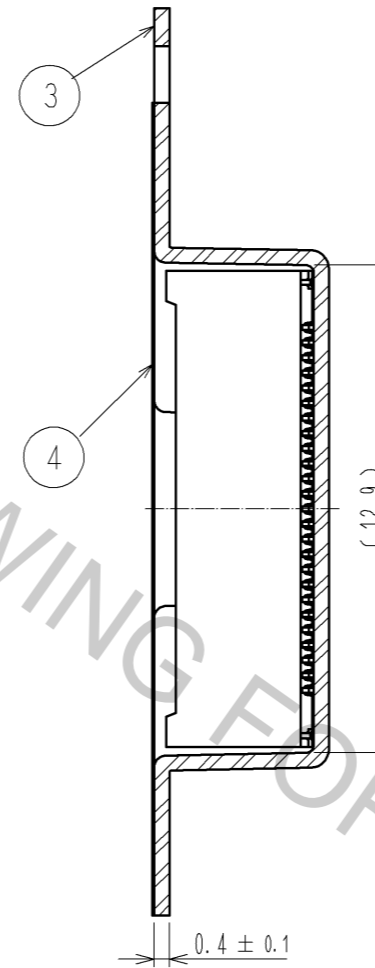
EMBOSSED CARRIER TAPE PACKAGING (5:1)



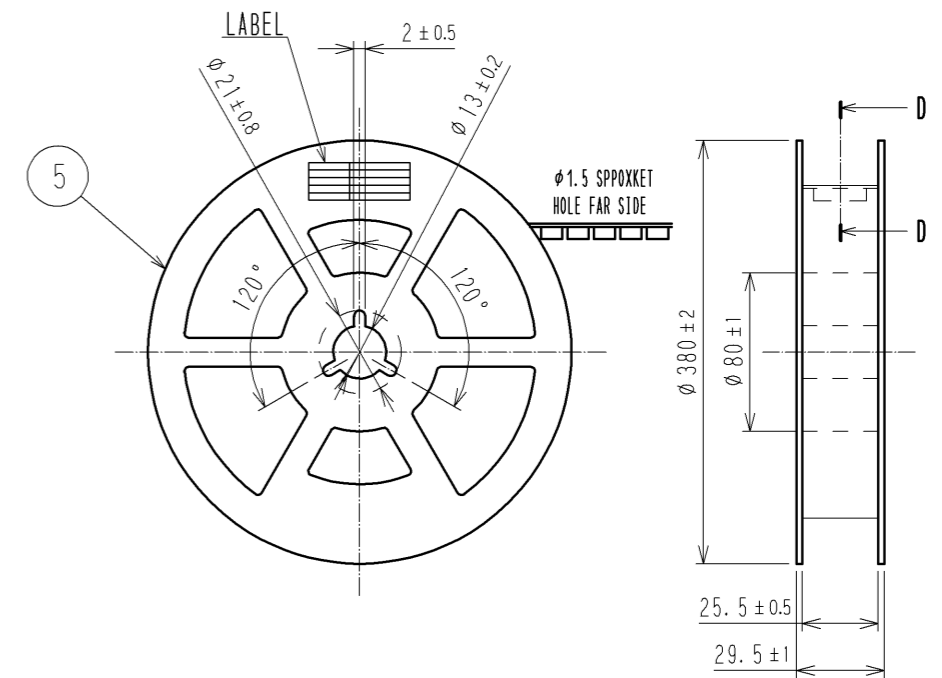
DIRECTION OF UNREELING →



C-C (5:1)



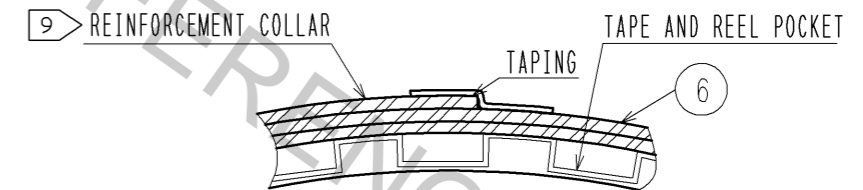
STYLE AND DIMENSION OF REEL (FREE SIZE)



8 > DETAIL OF PART NO. LABEL

製造年月日	** ** *
製品コード	CL684-4215-1-51
製品名	DF40HC(4.0)-50DS-0.4V(51)
数量	2000
納入者	ヒロセ電機(株)

D-D (FREE)



- NOTES )
- PER REEL 2000 CONNECTORS.
  - THE DIMENSIONS IN PARENTHESES ARE FOR REFERENCE.
  - REFER TO JIS C 0806(IEC 60286-3)(PACKING OF COMPONENTS FOR AUTOMATIC HANDLING)
  - DETAIL OF PART NO. LABEL IS WRITTEN IN JAPANESE.  
 PRODUCTION DATE:  
 PRODUCT CODE: CL684-4215-1-51  
 PART NUMBER: DF40HC(4.0)-50DS-0.4V(51)  
 NUMBER OF PIECES: 2000 PIECES  
 SUPPLIER NAME: HIROSE ELECTRIC CO., LTD.
  - AFTER PACKAGING, ROLL 2 METERS OF THE REINFORCEMENT COLLAR TO OUTER CIRCUMFERENCE OF TAPE AND REEL POCKET, AND TAPE DOWN AT THE END THE COLLAR.

<b>HRS</b>	DRAWING NO.	EDC3-355791-01
	PART NO.	DF40HC(4.0)-50DS-0.4V(51)
	CODE NO.	CL684-4215-1-51
		△ 2/2