

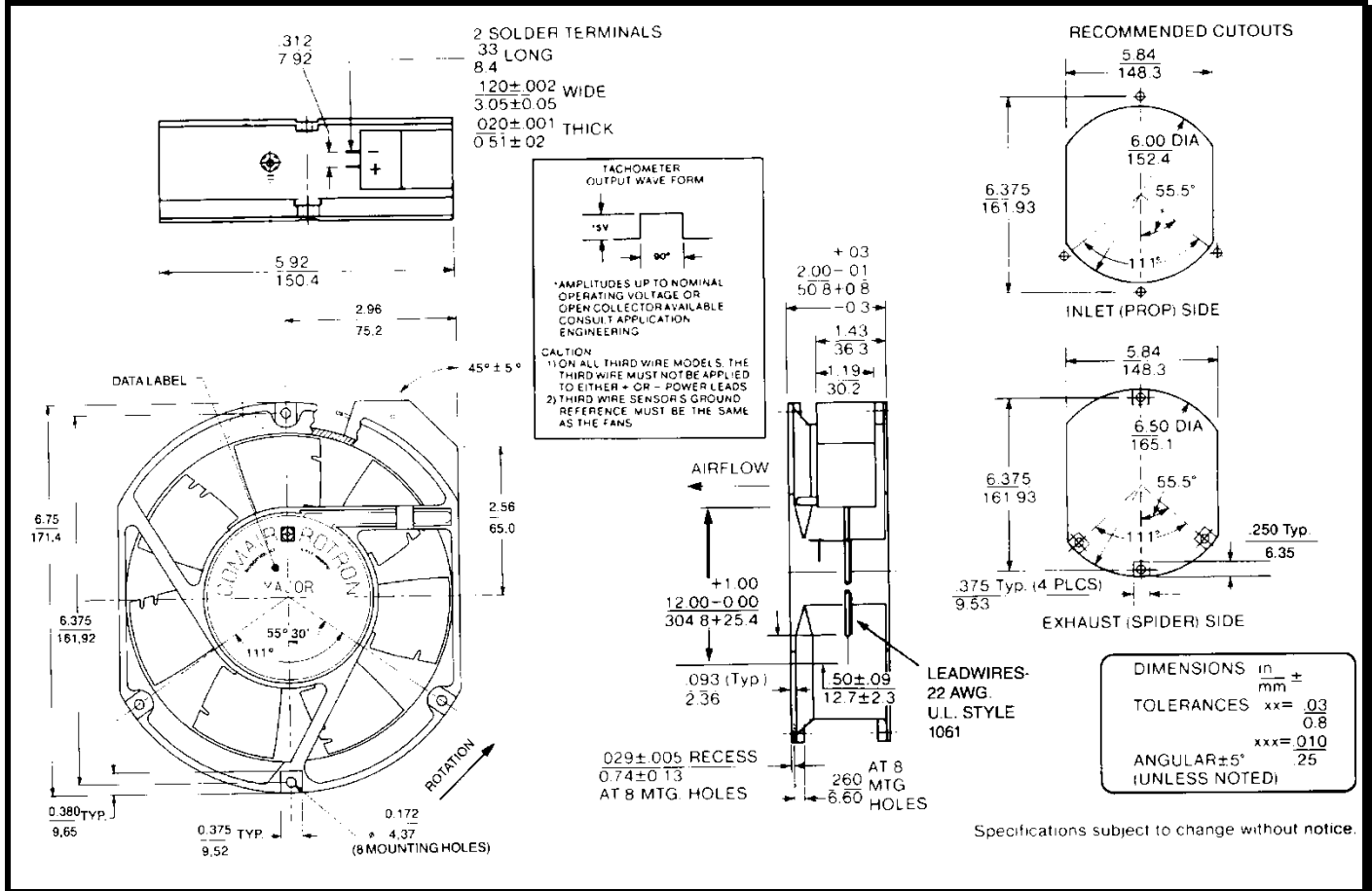
SPECIFICATIONS



Model Number: JQ48B4
Part Number: 19031091A

August 8, 2005

Mechanical Drawing:



Motor:

Nominal Voltage = 48 vdc
 Operating Voltage Range = 24 - 56 vdc
 Nominal Running Current = 0.460 amps
 Locked Rotor Current = 1.00 amps
 Running Power = 22.0 watts
 Average Speed = 3475 rpm
 Bearings = Ball
 Air Flow = 235 cfm
 Acoustic: = 54.3 dBA

Construction:

Venturi: Die-Cast Aluminum, Black
 Propeller: Plastic, Black, UL 94V-0

Life Expectancy:

This fan is designed for continuous duty life of 75,000 hours at 40°C.

Additional Features:

Brushless DC Motor
 Locked Rotor Protection
 Polarity Protected
 Automatic Restart Capability
 Operating Temperature: -10°C to 70°C
 Storage Temperature: -40°C to 85°C

Termination:

2 blade terminals

Agency Approvals:

UL, cUL, CE