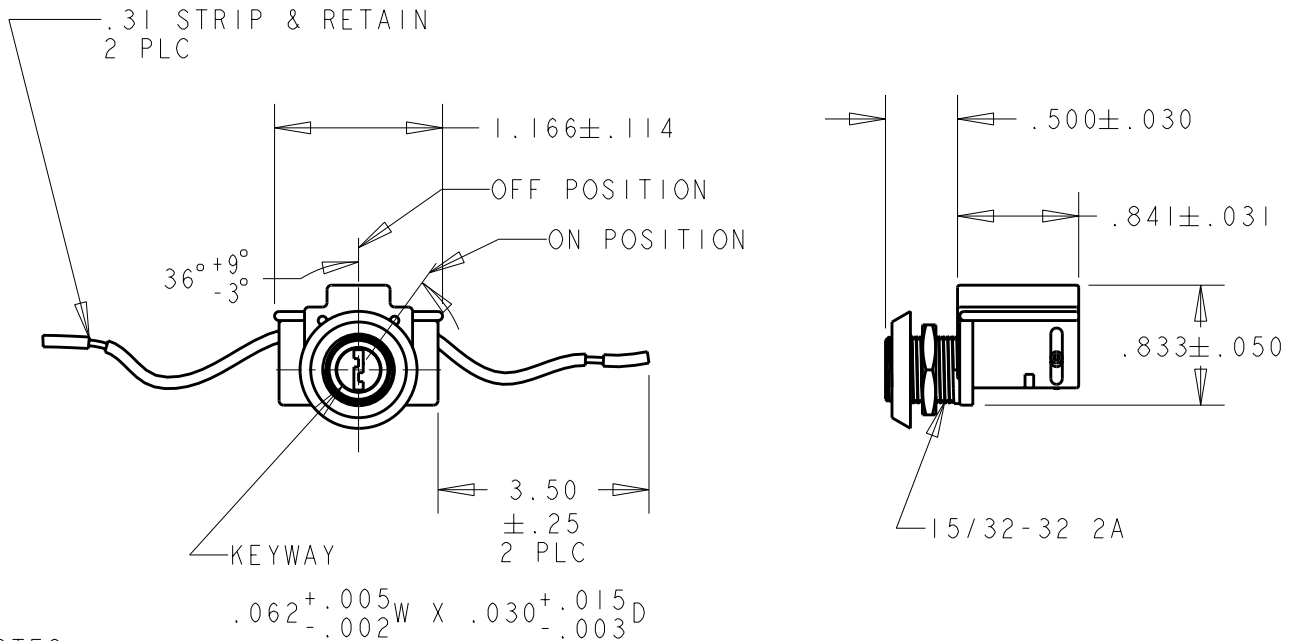


LOC	DIST	REVISIONS					
		P	LTR	DESCRIPTION	DATE	DWN	APVD
-	-		AI	REVISED PER ECO-10-010249	15MAY2010	HMR	NE



NOTES:

- KEY REMOVABLE BOTH POSITIONS.
- KEYSWITCH SUPPLIED WITH 1 HEX NUT, 1 DRESS NUT AND 1 KEY.
- WIRE: 18 AWG BOND WIRE, TINNED, PVC INSULATED, W/ 80°C AND 300 V RATING (UL 1007).
CONTACT MATERIAL: MOVABLE-BRONZE, SILVER PLATED;
STATIONARY-BRASS, SILVER PLATED.
CIRCUIT: SPST
ACTION: OFF-ON
- ELECTRICAL SPECIFICATIONS:
KEYSWITCH RATING: 6A, 125V AC; 3A, 250V AC
DIELECTRIC VOLTAGE: 1000V RMS MIN.
INSULATION RESISTANCE: 100 MΩ MIN.
CONTACT RESISTANCE: 100 mΩ MAX.
CYCLE LIFE: 6000 OPERATIONS MIN.
TEMPERATURE RISE: <30°C AT 6000 OPERATIONS
- ENVIRONMENTAL SPECIFICATIONS:
OPERATING TEMP: -18°C TO 65°C

1571488-1	PART NUMBER
-----------	-------------

DIMENSIONS: INCHES	DWN J.C. YOSLER	11NOV2003	MATERIAL	-	FINISH	-
	CHK J.C. YOSLER	11NOV2003	Tyco Electronics Harrisburg, PA 17105-3608			
TOLERANCES UNLESS OTHERWISE SPECIFIED:	APVD M. WILBOURN	07NOV2006				
0 PLC ±	PRODUCT SPEC	-	NAME KEYSWITCH SPST			
1 PLC ±.03	APPLICATION SPEC	-				
2 PLC ±.015	WEIGHT	-	SIZE	A 4	CAGE CODE	00779
3 PLC ±.010			DRAWING NO	C-1571488		RESTRICTED TO
4 PLC ±						-
ANGLES ±1/2						
			CUSTOMER DRAWING		SCALE	3:4
					SHEET	1 OF 1
					REV	A1

RELEASED FOR PUBLICATION 20

THIS DRAWING IS UNPUBLISHED. BY TYCO ELECTRONICS CORPORATION. ALL RIGHTS RESERVED. COPYRIGHT 20