

Contact insert module - HC-M-04-SCFC-F - 1419890

Please be informed that the data shown in this PDF Document is generated from our Online Catalog. Please find the complete data in the user's documentation. Our General Terms of Use for Downloads are valid (<http://phoenixcontact.com/download>)



Contact insert module, number of positions: 4, Socket V, application: FO, with 4 ceramic ferrules



Key Commercial Data

Packing unit	1 STK
GTIN	
GTIN	4055626258812

Technical data

Dimensions

Height	34 mm
Width	34 mm
Length	14.6 mm

Electrical characteristics

Note	SC contacts not included in scope of supply.
Connection profile	4

Ambient conditions

Ambient temperature (operation)	-40 °C ... 70 °C
---------------------------------	------------------

General

Series	HC-M-04-SC
Color	light gray
Number of module slots	1
Flammability rating according to UL 94	V0
Degree of pollution	3
Overvoltage category	III
Assembly instructions	Use of HC-CST-MOD (1636127) coding pins and HC-CBU-MOD (1636130) coding sockets has been prescribed.

Contact insert module - HC-M-04-SCFC-F - 1419890

Technical data

Standards and Regulations

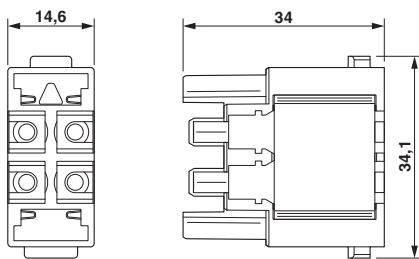
Flammability rating according to UL 94	V0
--	----

Environmental Product Compliance

China RoHS	Environmentally friendly use period: unlimited = EFUP-e
	No hazardous substances above threshold values

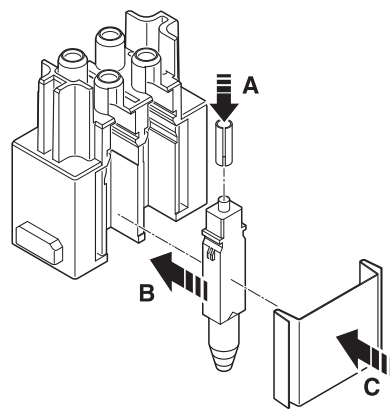
Drawings

Dimensional drawing



Female insert

Functional drawing



Assembly drawing

Approvals

Approvals

Approvals

CSA / UL Recognized / EAC

Ex Approvals

Approval details

CSA		http://www.csagroup.org/services-industries/product-listing/	13631
-----	--	---	-------

UL Recognized		http://database.ul.com/cgi-bin/XYV/template/LISEXT/1FRAME/index.htm	E118976
---------------	--	---	---------

Contact insert module - HC-M-04-SCFC-F - 1419890

Approvals

EAC



RU C-
DE.AI30.B.01102

Phoenix Contact 2018 © - all rights reserved
<http://www.phoenixcontact.com>

PHOENIX CONTACT GmbH & Co. KG
Flachsmarktstr. 8
32825 Blomberg
Germany
Tel. +49 5235 300
Fax +49 5235 3 41200
<http://www.phoenixcontact.com>