

4

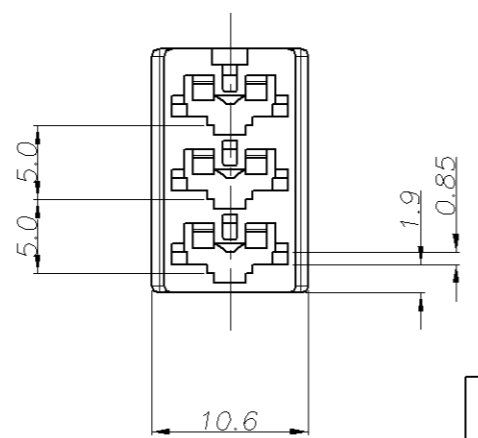
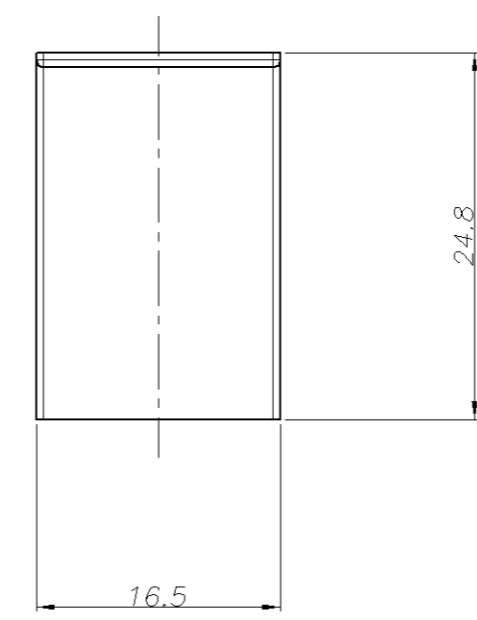
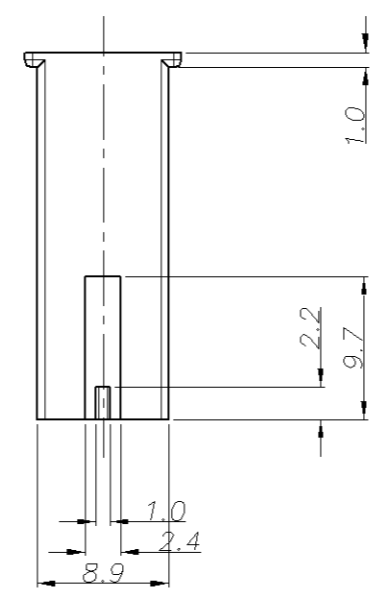
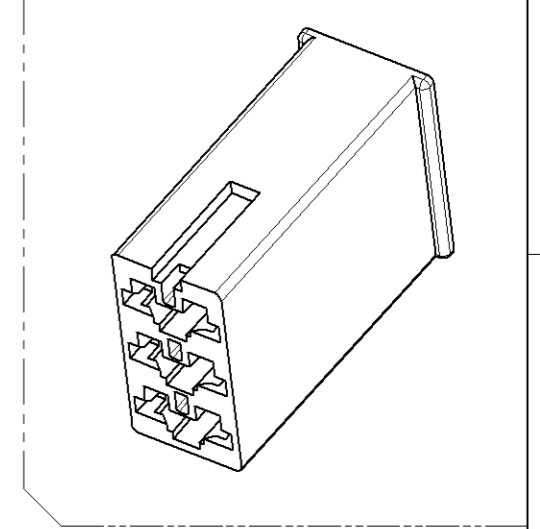
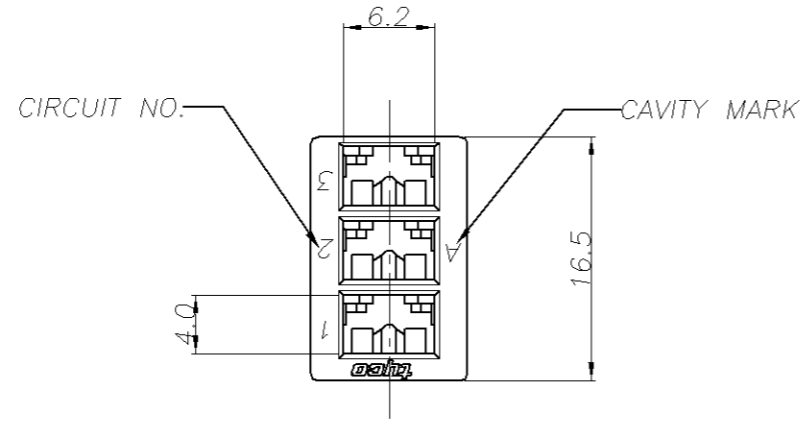
3

2

1

THIS DRAWING IS UNPUBLISHED. RELEASED FOR PUBLICATION  
 © COPYRIGHT BY TYCO ELECTRONICS CORPORATION. ALL RIGHTS RESERVED.

LOC	DIST	REVISIONS					
		P	LTR	DESCRIPTION	DATE	DWN	APVD
DS	-		0	RELEASED(FC00-0057-04)	16.APR'04	BH	CS
			A	REVISED(ECR-08-000105)	10.JAN.'08	BH	JK



**NOTES**

- 1. GENERAL TOLERANCE ;  $\pm 0.3, \pm 3^\circ$
- 2. CAVITY MARK SHALL BE LOCATED APPROX. AS SHOWN.
- 3. APPLICABLE CONTACT P/N : 170324~170326

① 1-1743068-1	6/6 NYLON, V-0	NATURAL
1743068-1	6/6 NYLON, V-2	NATURAL
P/N	MATERIAL	COLOR

<small>THIS DRAWING IS A CONTROLLED DOCUMENT FOR TYCO ELECTRONICS CORPORATION          IT IS SUBJECT TO CHANGE AND THE CONTROLLING ENGINEERING ORGANIZATION          SHOULD BE CONTACTED FOR THE LATEST REVISION.</small>		DWN <b>BH CHO</b> CHK <b>BW KANG</b> APVD <b>JK SONG</b> PRODUCT SPEC <b>① 108-61062</b> APPLICATION SPEC - WEIGHT -		<b>AMP KOREA.</b> kyungsan, korea	
DIMENSIONS: MM 		TOLERANCES UNLESS OTHERWISE SPECIFIED: 0 PLC ± 1 PLC ± 2 PLC ± 3 PLC ± 4 PLC ± ANGLES ±		NAME <b>187 P/LOCK 3P HSG for Dryer</b> SIZE CAGE CODE DRAWING NO RESTRICTED TO <b>A3 00779 C- 1743068</b> -	
MATERIAL <b>SEE TABLE</b>		FINISH - -		CUSTOMER DRAWING SCALE 2/1 SHEET 1 OF 1 REV A	