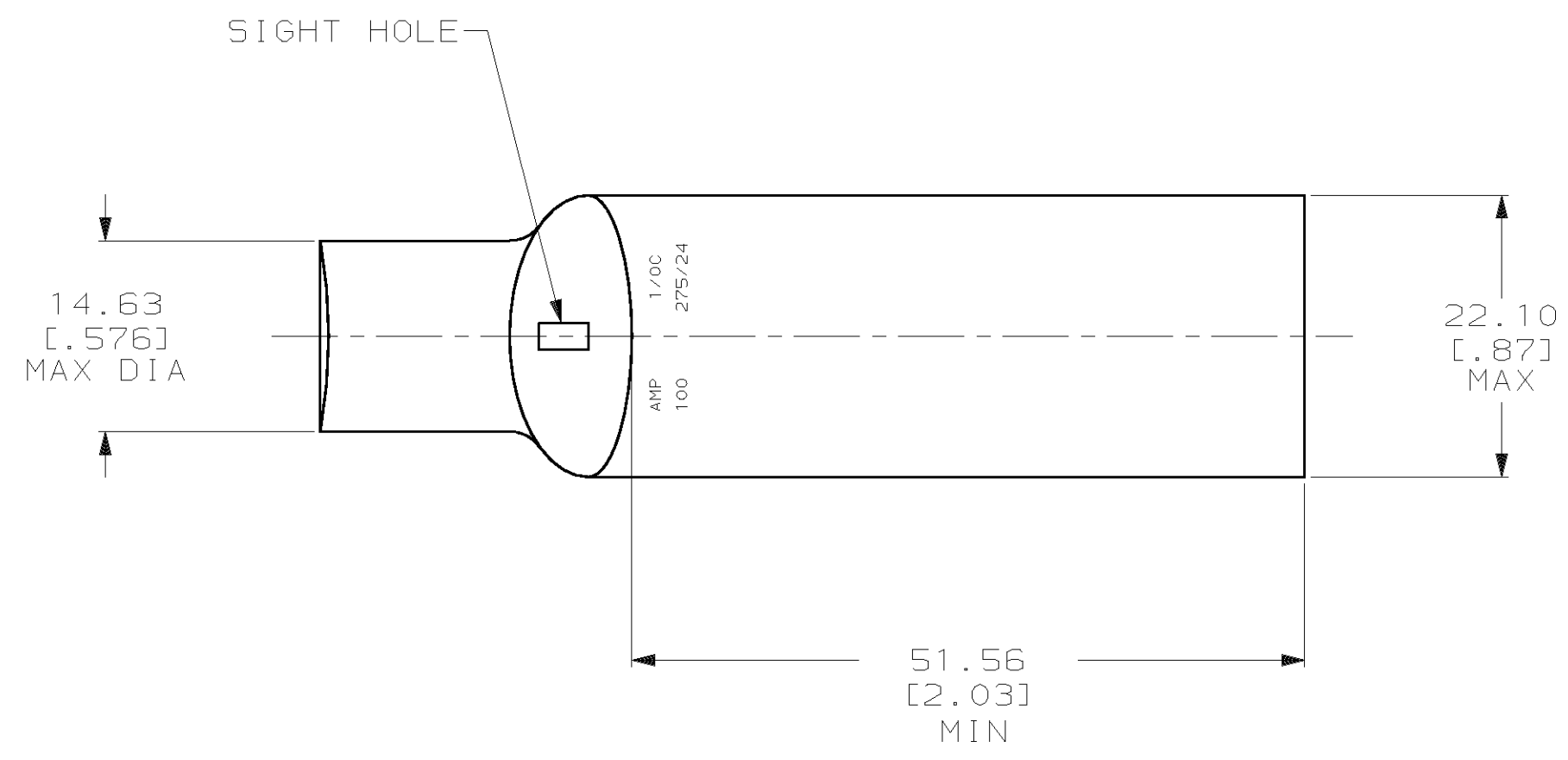
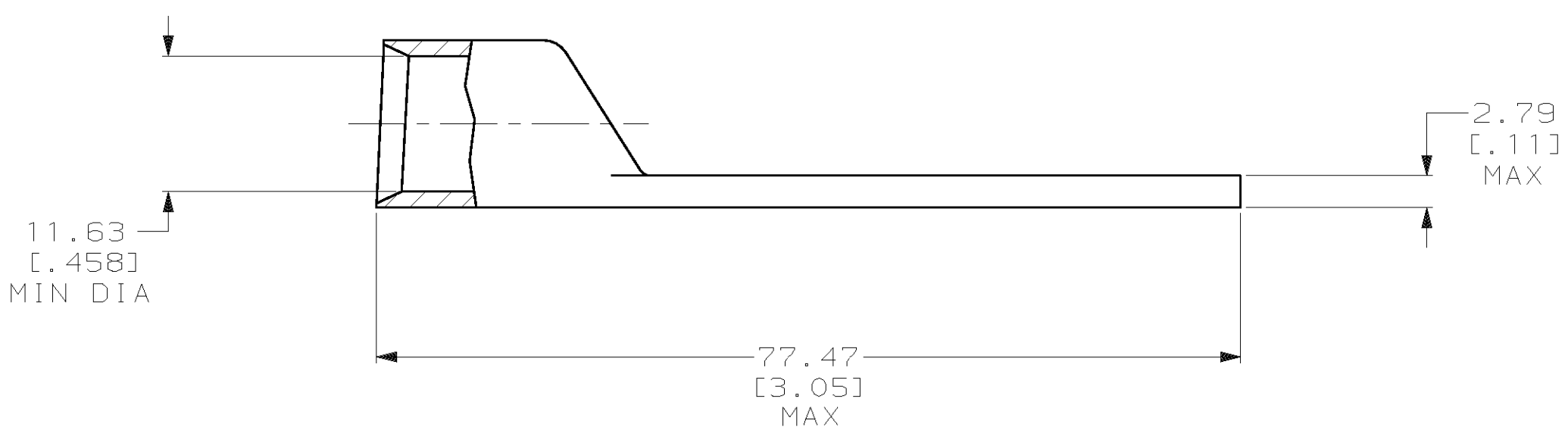


THIS DRAWING IS UNPUBLISHED. RELEASED FOR PUBLICATION
 © COPYRIGHT 19 BY AMP INCORPORATED. ALL INTERNATIONAL RIGHTS RESERVED.

REVISIONS									
LOC	DIST	P	F	ZONE	LTR	DESCRIPTION	DATE	APPD	
G	86				Y	REV PER 0G3A-0561-01	07OCT02	JR/MS	



- 1 CIRCULAR MIL RANGE: 83,700-119,500 CM
- 2 TIN PL 0.00381 [0.00150] MIN THK PER MIL-T-10727



325308

325308
PART NO

DO NOT SCALE PRINT. UNLESS SPECIFIED DIMENSIONS IN mm [INCHES] TOLERANCES ON : 2 PLC DEC ± 0.51 [0.020] 3 PLC DEC ± - ANGLES ± -		DR 03/09/90 DK SCHRUM		AMP INCORPORATED Harrisburg, Pa. 17105	
MATERIAL ANNEALED COPPER ASTM B-75		CHK 31AUG94 MS FEHER			
FINISH 2		APPD 31AUG94 WJ VOCKROTH		NAME TERMINAL, AMPPOWER WIRE SIZE: 1/0 AWG	
APPLICATION SPEC -		APPD 31AUG94 TL SHUTTER		DRAWING NO 325308	
WEIGHT .067 LB		PRODUCT SPEC -		SCALE 2:1	
		APPLICATION SPEC -		CAGE CODE 00779	
				SHEET 1 OF 1	

