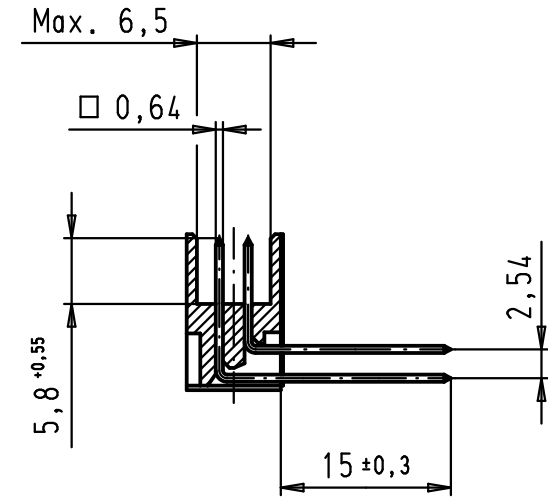
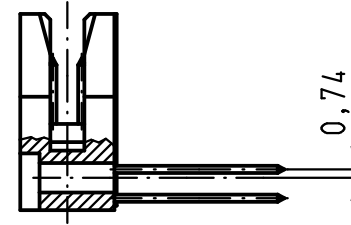
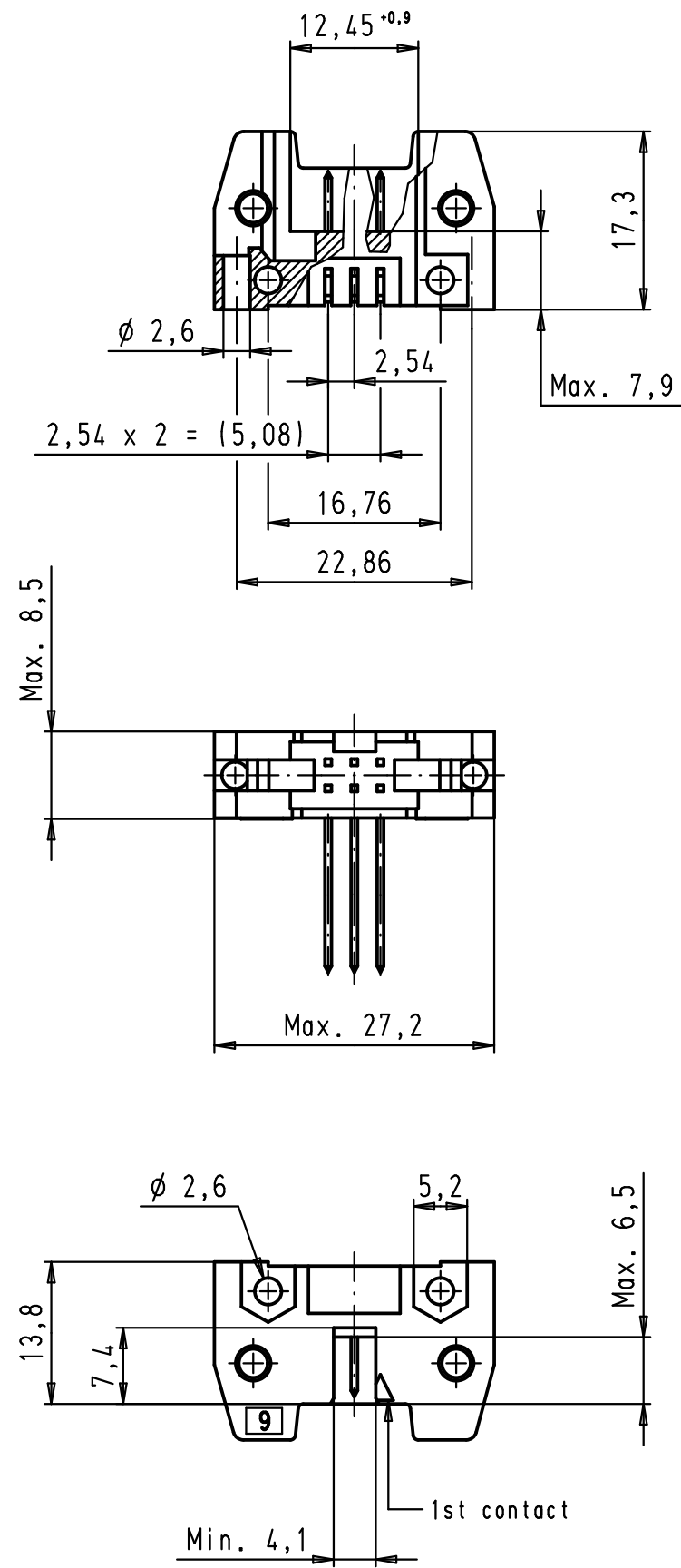
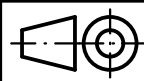



Alle Rechte vorbehalten. All rights reserved



09 18 506 7926	3
09 18 506 6926	2
09 18 506 5926	0,76 μm Au
Part number	Performance level

				Det.	Name	 All Dim. in mm Orig. Size DIN A 3	SEK 18 Male Connector Standard 06 poles Angled wrap posts Without locking levers	Maßstab/ Scale  1,5:1
			Detail.	19/09/02	CV			
			Insp.					
			Stand.					
34890	13/06/08	PK	HARTING EURL			TB 09 18 506 X926	Blatt/ Page 1 / 1	
31092	19/09/02	CV	F-95972 Paris					
Mod.	Det.	Name						