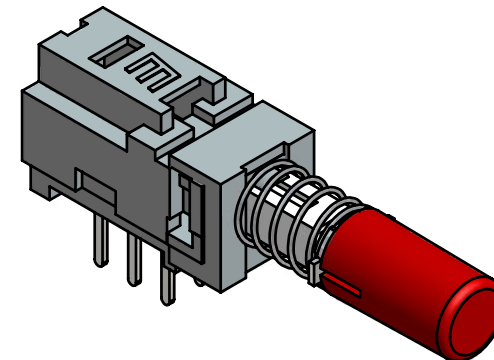
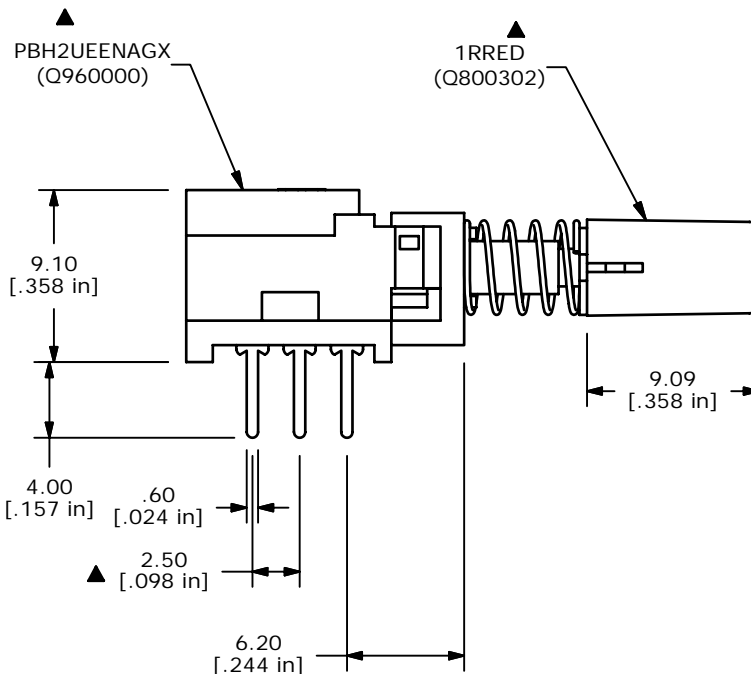
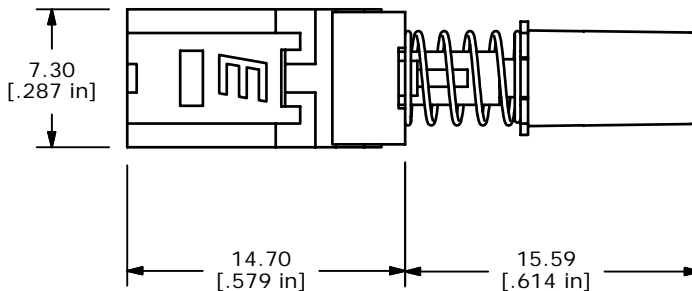


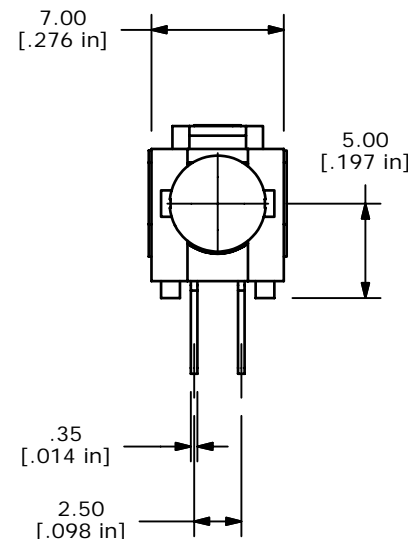
CIRCUIT: 2PDT

NOTES:

1. ALL DIMENSIONS IN MM [INCH]
2. GENERAL TOLERANCE: X.X=±0.4
X.XX=±0.25
3. TERM. NOS. FOR REFERENCE ONLY.
4. RATING 0.1A @30V DC
- ▲ 5. MATERIALS:
CONTACT/TERMINALS: SILVER PLATE
HOUSING: PBT UL94HB
BASE: PA66 UL94HB
ACTUATOR: POM
CAP: ABS UL94V0
6. CONTACT RESISTANCE: 100 mΩ (INITIAL)
- ▲ 7. TIMING: NON-SHORTING
8. OPERATING FORCE: 230± 50GF
9. TRAVEL: LATCHING
2MM TO LOCK
3MM OVERALL
10. ELECTRICAL LIFE: 10000 CYCLES
11. OPERATING TEMP: -20°C TO +70°C
12. 2002/95/EC (ROHS) COMPLIANT
13. ▲ DENOTES CRITICAL PARAMETER.



ISOMETRIC



C	15681	ADD CRITICAL TO 2.50 DIM	1/16/06	PH
B	15508	DIMS FROM 9.00 AND 15.50	11/8/05	PH
A	15501	RELEASED FOR PRODUCTION	11/7/05	PH
REV	PCR NO	DESCRIPTION	DATE	BY

THE INFORMATION CONTAINED IN THIS DOCUMENT IS PROPRIETARY TO E-SWITCH AND IS NOT TO BE COPIED OR TRANSFERRED

E-SWITCH®

TITLE PBH2UEENAG1RRED

SCALE	DATE	DR	DWG	REV
2.5:1	11/7/2005	PH	XQ0016P	C