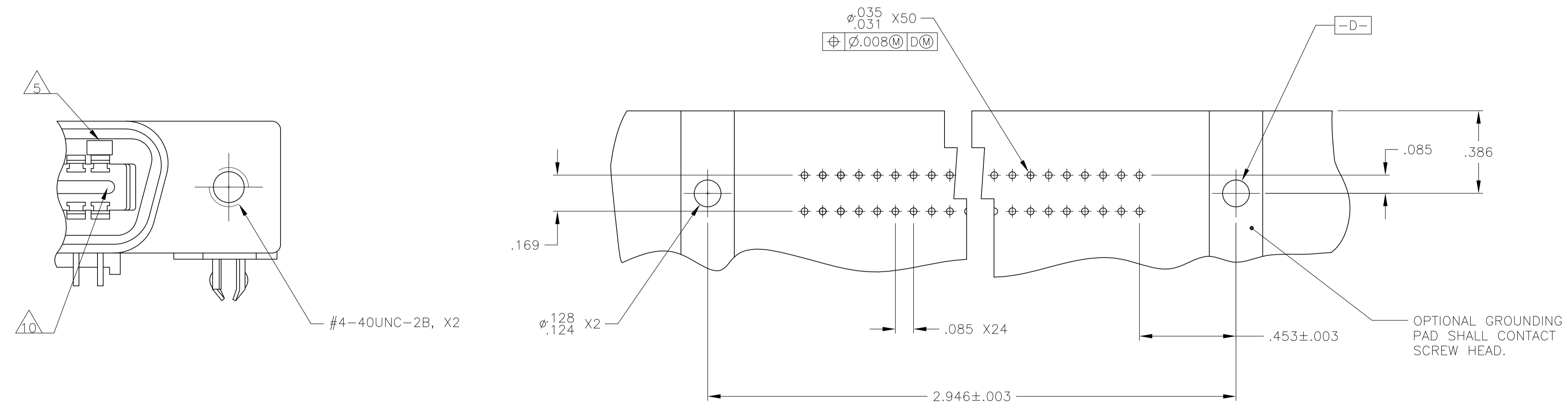
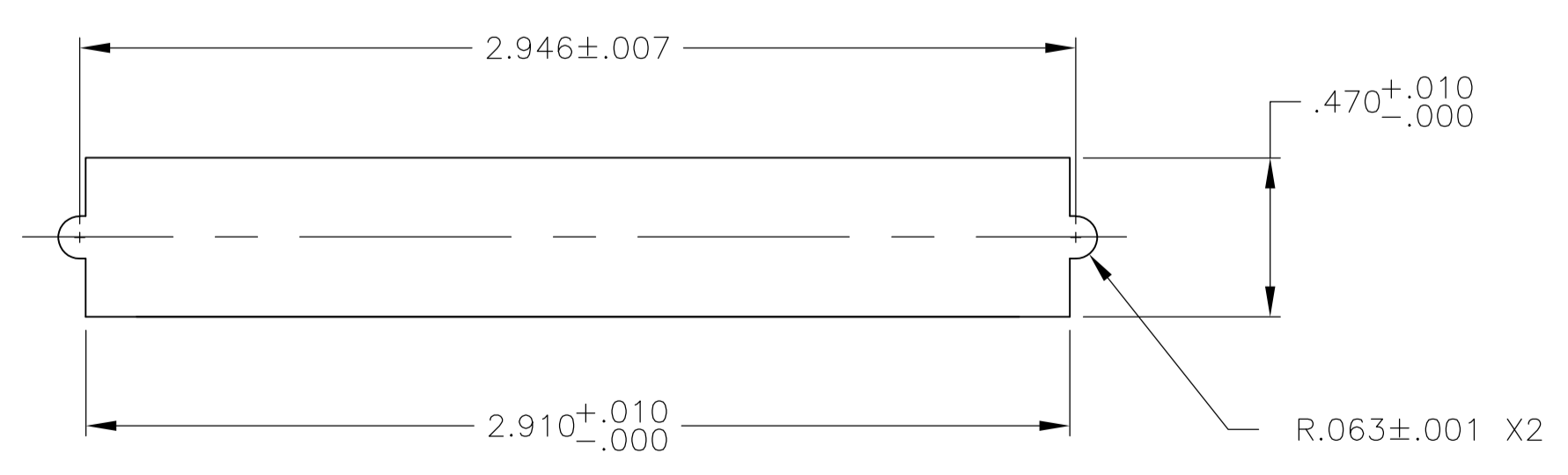
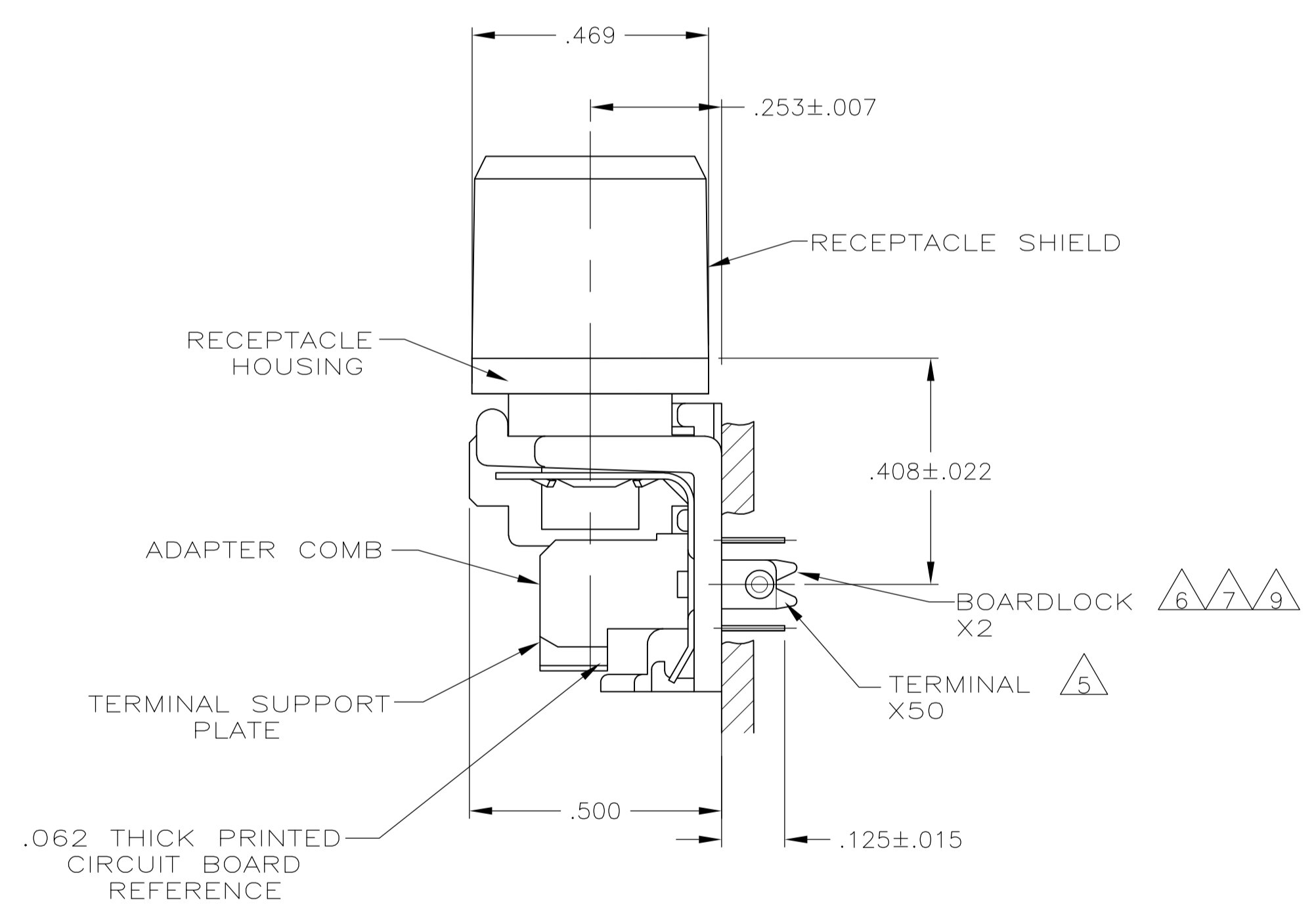
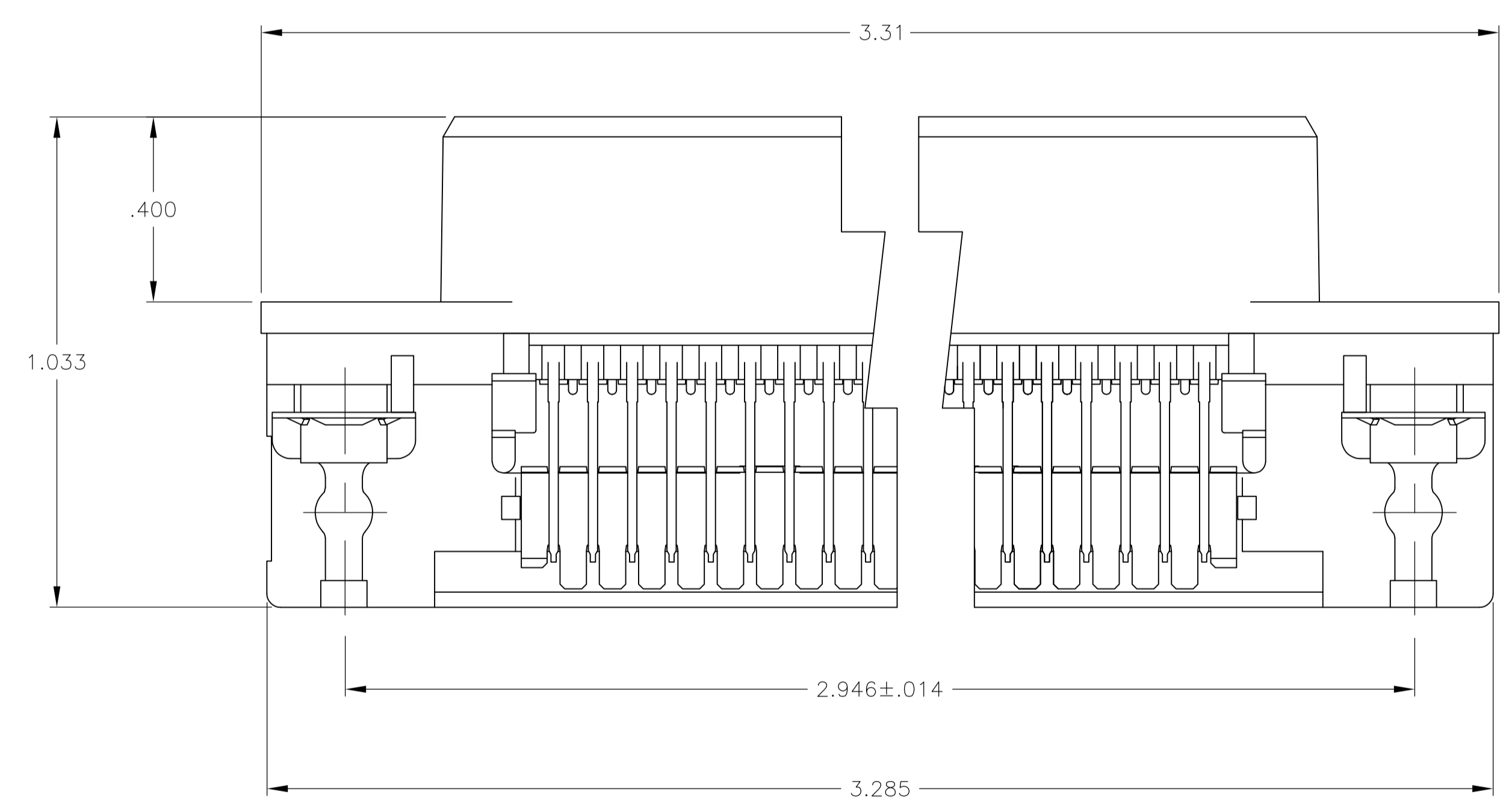


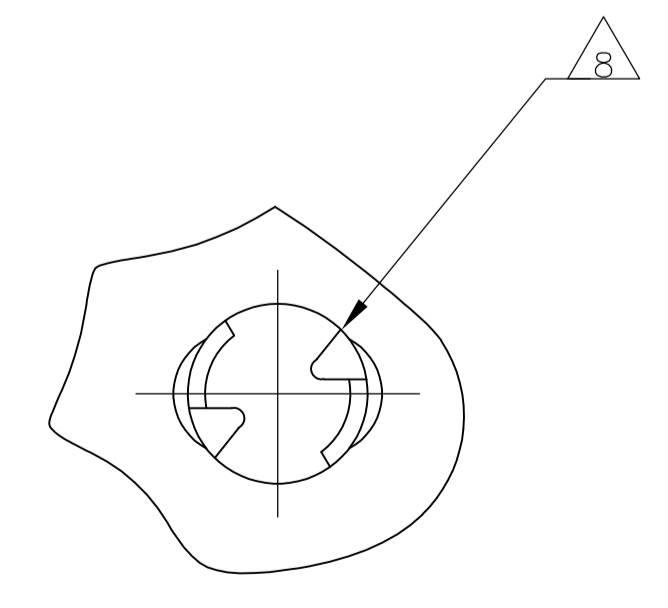
LOC		DIST		REVISIONS			
GP	00	REV	DATE	BY	APPV	DATE	BY
B		REVISED PER ECO-08-007327	09APR08	BM	WM		



SUGGESTED PRINTED CIRCUIT BOARD MOUNTING DIMENSIONS



SUGGESTED BRACKET MOUNTING CUTOUT DIMENSIONS SCALE 2:1



- 1 MATERIAL: SUPPORT PLATE, HOUSING & ADAPTER COMB - POLYESTER, BLACK. RECEPTACLE SHIELD - BRIGHT NICKEL OVER COPPER PLATED ZINC. GROUND BRACKET - TIN PLATED CARBON STEEL. TERMINALS - HIGH STRENGTH COPPER ALLOY PLATED WITH EITHER .000030 MIN GOLD PLATE OR GOLD FLASH OVER PALLADIUM NICKEL PLATE, .000030 MIN TOTAL ON MATING SURFACE. .000120 MIN TIN PLATE ON TAILS. ALL OVER .000050 MIN NICKEL UNDERPLATE OVER ENTIRE TERMINAL.
- 2 THE CONTACT SURFACES OF THE TERMINALS ARE COATED WITH LUBRICANT.
- 3 CENTER-TO-CENTER SPACING OF TERMINALS IS .085 NOMINAL.
- 4 DIMENSIONS ARE MAXIMUM UNLESS OTHERWISE SPECIFIED.
- 5 TERMINAL 1 LOCATED IN THIS ROW FOR STANDARD ORIENTATION.
- 6 BOARDLOCK RETAINS CONNECTOR IN .062 THICK PC BOARD WITHOUT ADDITIONAL HARDWARE.
- 7 BOARDLOCK LOCATES CONNECTOR FLUSH WITH TOP OF PC BOARD AND SPRING LOCKS BENEATH.
- 8 CYLINDRICAL SHAPE OFFERS 180° OF SOLDERING SURFACE.
- 9 SURFACE AREA OF BOARDLOCK BELOW PC BOARD SHALL PASS SOLDERABILITY REQUIREMENTS IN ACCORDANCE WITH AMP SPECIFICATION 109-11-2. DISCOLORATION, SCRATCHES, SPOTS AND OTHER COSMETIC DEFICIENCIES TYPICAL OF BARREL PLATING PROCESSES ARE ACCEPTABLE PROVIDING PARTS PASS 24 HOUR EXPOSURE AT 95% RH AT 40°C WITHOUT EVIDENCE OF CORROSION.
- 10 THIS FEATURE IS A CORED AREA AND IS OPTIONAL ON PART.

STANDARD	5	6761450-1
ORIENTATION		PART NO

THIS DRAWING IS A CONTROLLED DOCUMENT.		DIN G. PETERS 30SEP05	Tyco Electronics Corporation Harrisburg, Pa 17105-3608	
DIMENSIONS: mm [INCHES]		CIK W. MILLHIMES 30SEP05	NAME RECEPTACLE ASSEMBLY, 50 POSITION, RIGHT ANGLE, SHIELDED, LOW PROFILE, BOARD LOCK, CHAMP@	
TOLERANCES UNLESS OTHERWISE SPECIFIED:		APVD M. WALMSLEY 30SEP05	APPLICATION SPEC	
0 PLC	±	4	SIZE	A1
1 PLC	±		CAGE CODE	00779
2 PLC	±		DRAWING NO	6761450
3 PLC	±		RESTRICTED TO	
4 PLC	±		WEIGHT	
ANGLES	±		CUSTOMER DRAWING	
FINISH	1		SCALE	4:1
			SHEET	1 of 1
			REV	B